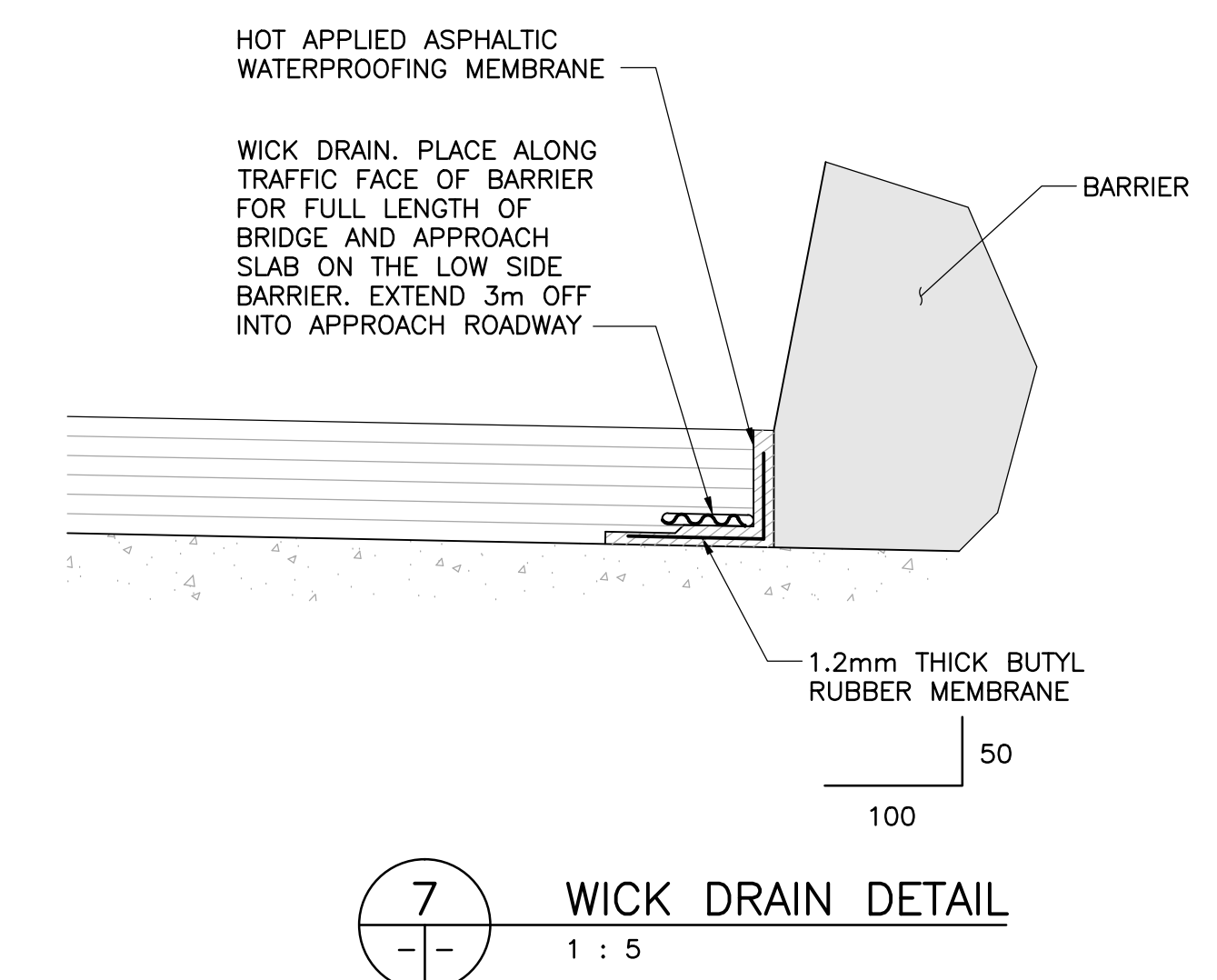
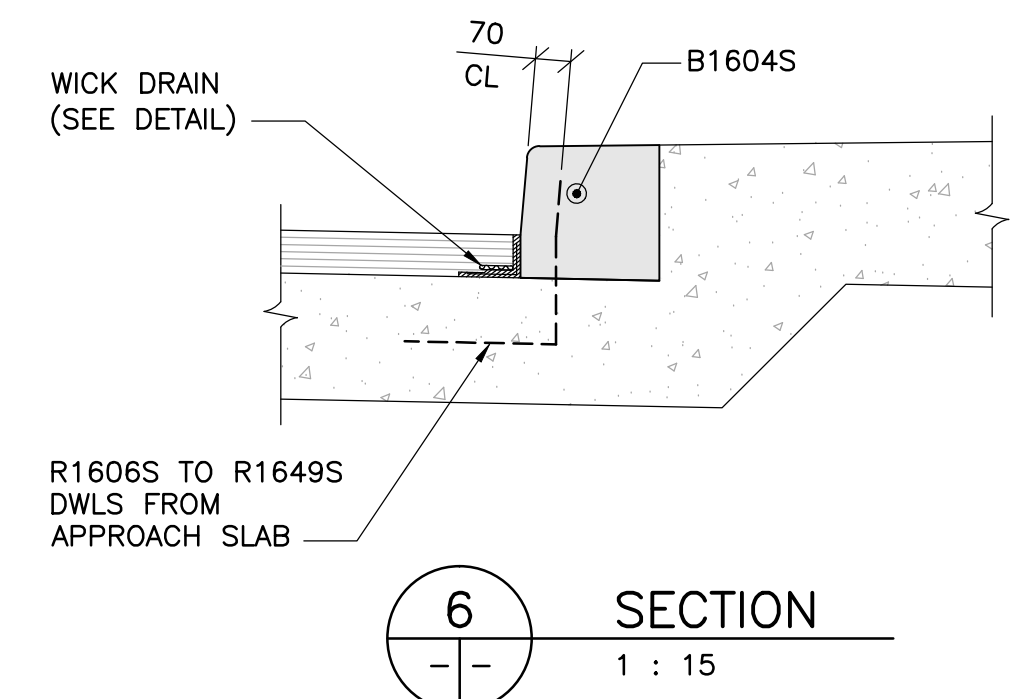
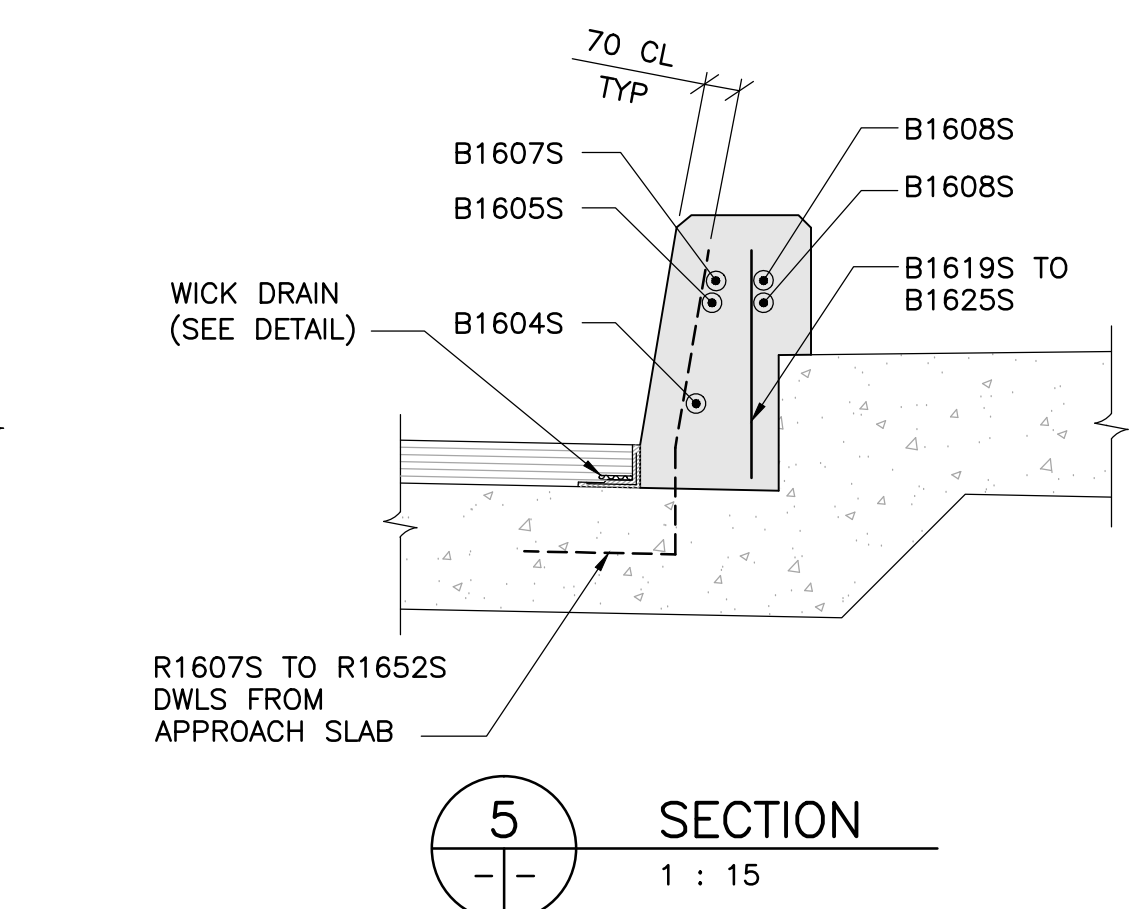
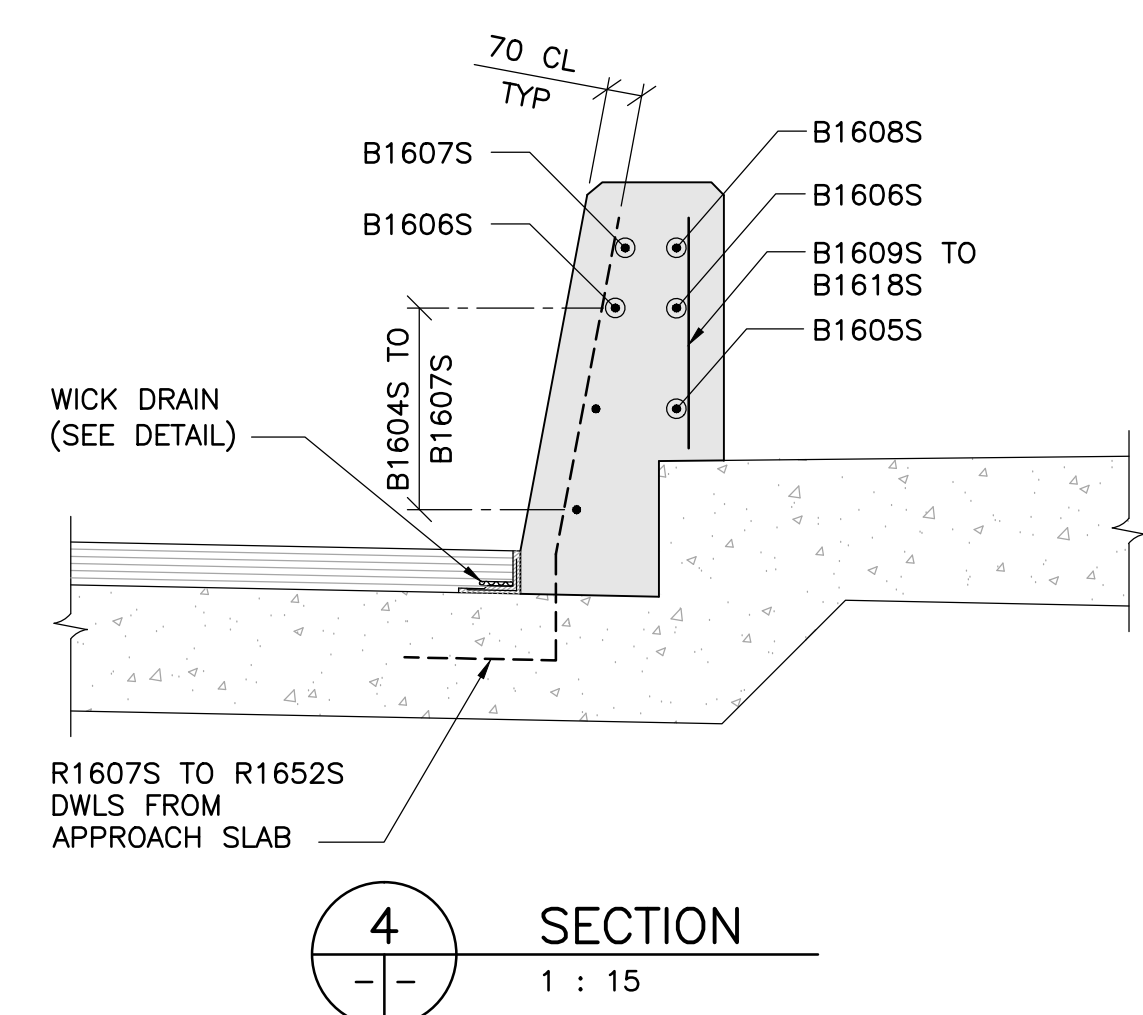
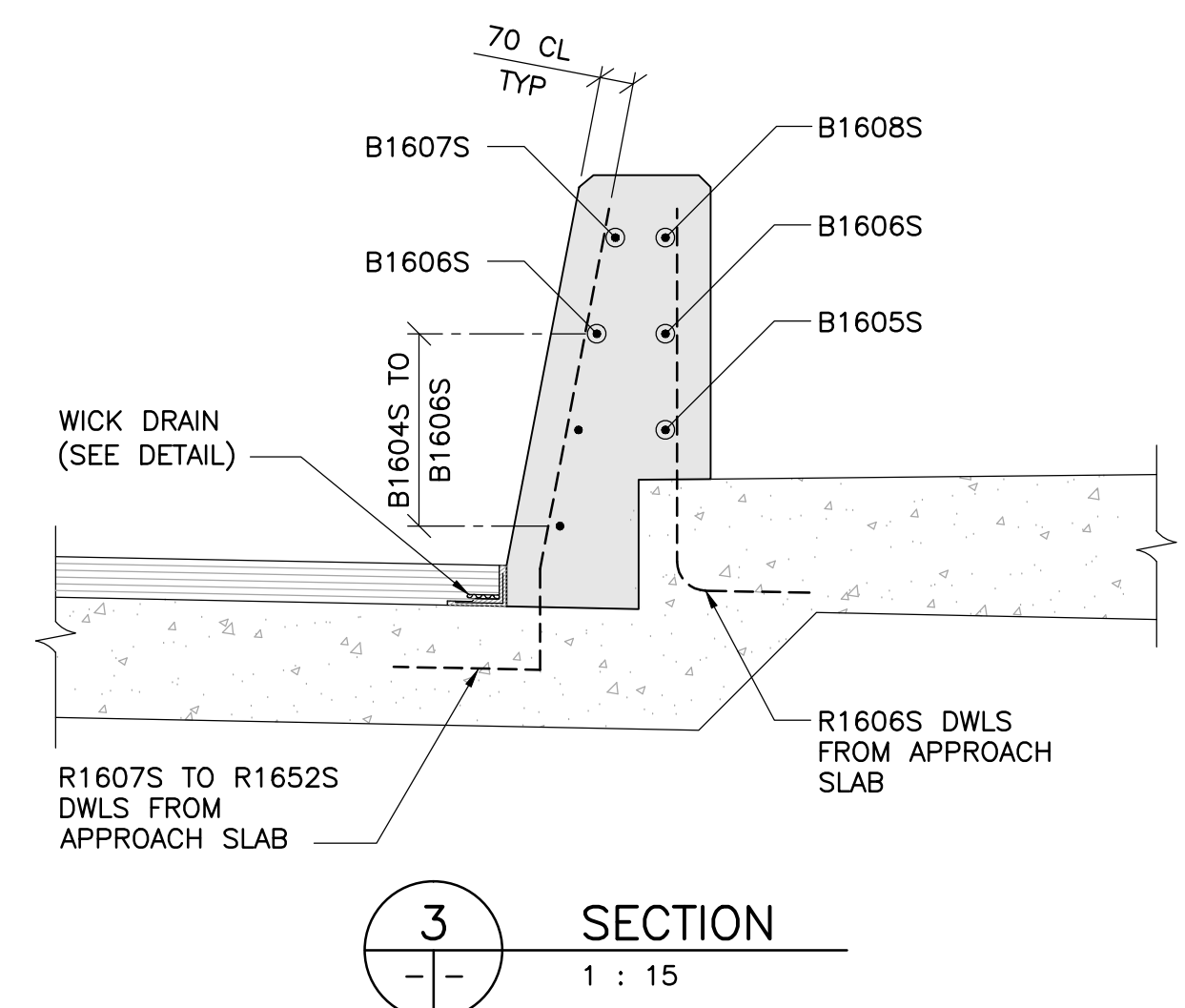


1 TRANSITION BARRIER
 1 : 25
 - NORTH WEST TRANSITION BARRIER SHOWN
 - NORTH EAST, SOUTH WEST AND SOUTH EAST SIMILAR
 - 4 LOCATIONS TOTAL

2 ELEVATION - TRANSITION BARRIER
 1 : 25



3 SECTION
 1 : 15

4 SECTION
 1 : 15

5 SECTION
 1 : 15

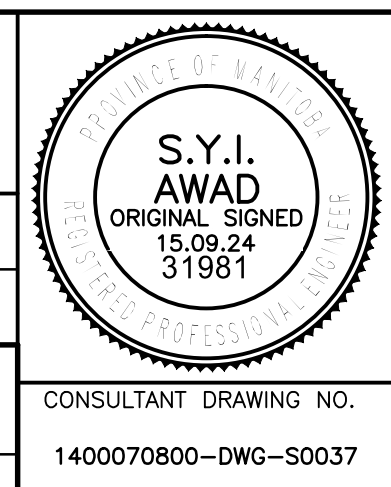
6 SECTION
 1 : 15

7 WICK DRAIN DETAIL
 1 : 5



B.M. ELEV.			
0	ISSUED FOR TENDER	15.09.24	S.A.
NO.	REVISIONS	DATE	BY
		15.09.24	

TETRA TECH	
DESIGNED BY D.M.	CHECKED BY S.A.
DRAWN BY G.I.	APPROVED BY E.F.S.
HOR. SCALE: AS NOTED	ACCEPTED BY DATE 15.09.24
VERTICAL: AS NOTED	ORIGINAL DRAWING SIGNED BY: D.N. BURMEY, P.ENG.
	D.N. BURMEY, P.ENG. BRIDGE PROJECTS ENGINEER



THE CITY OF WINNIPEG PUBLIC WORKS DEPARTMENT ENGINEERING DIVISION	
NESS AVENUE AT STURGEON CREEK BRIDGE CONSTRUCTION	
TRANSITION BARRIER REINFORCING DETAILS	
CITY DRAWING NUMBER B243-15-037	SHEET 37 OF 64
37	