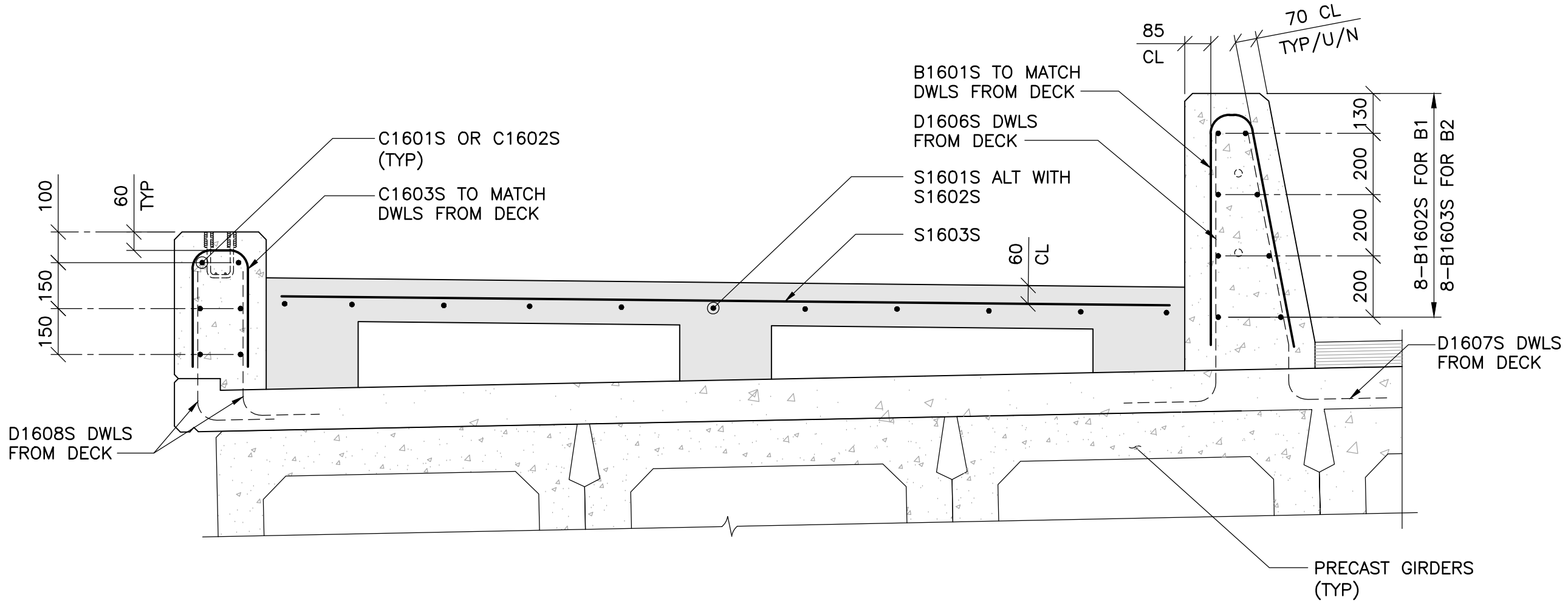
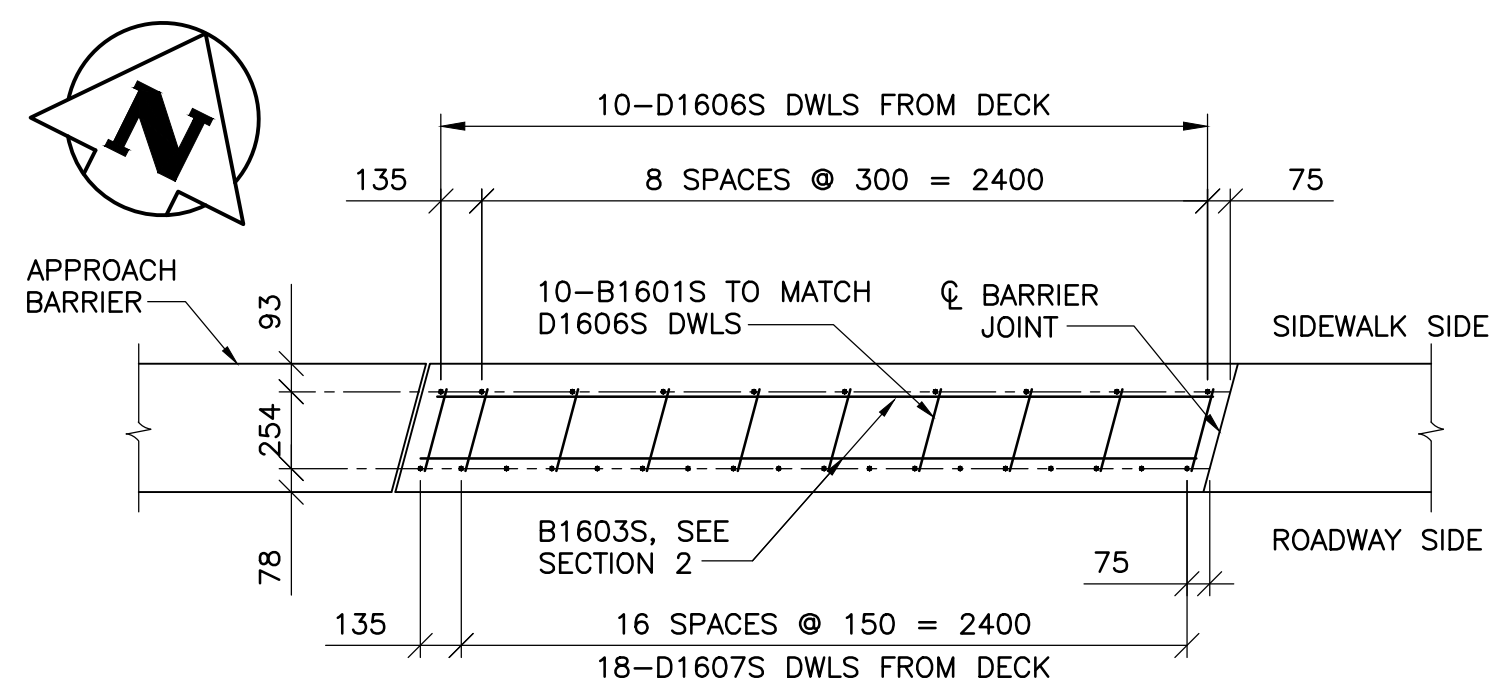


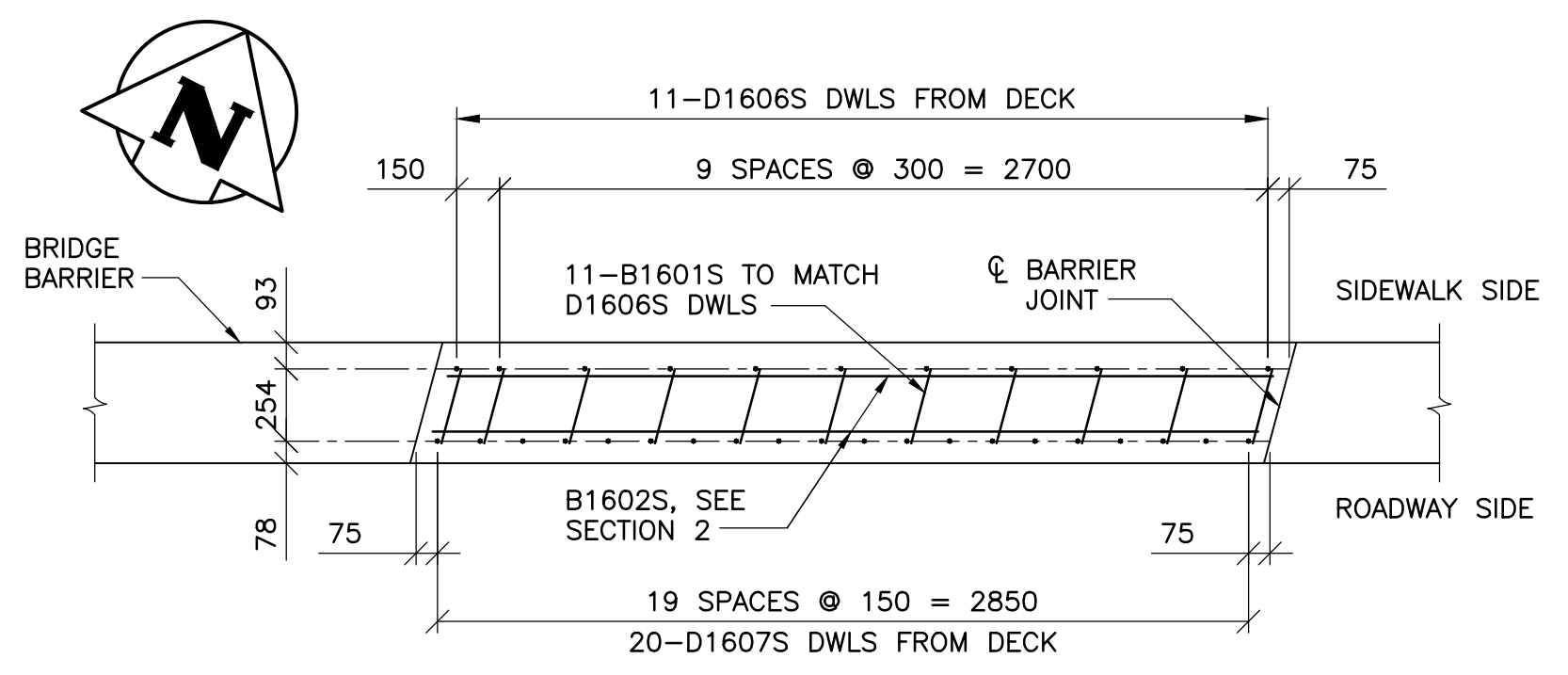
**1 NORTH SIDEWALK - REINFORCING PLAN**  
 1 : 100  
 - NORTH SIDEWALK AS SHOWN, SOUTH SIDEWALK SIMILAR



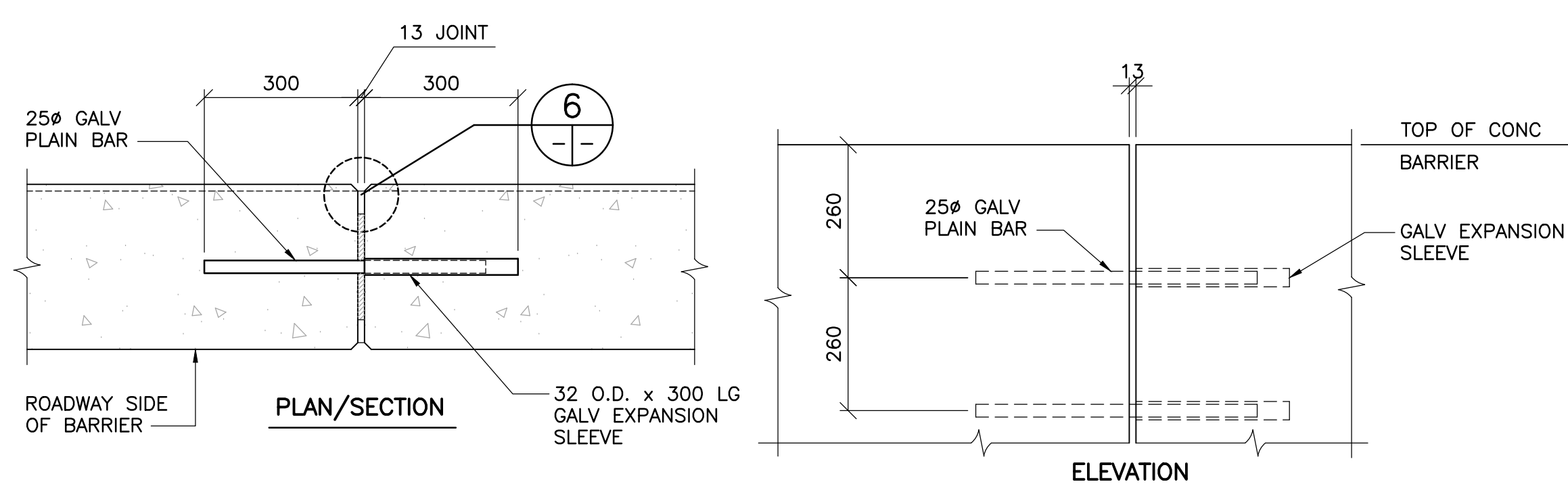
**2 SIDEWALK SECTION**  
 1 : 15



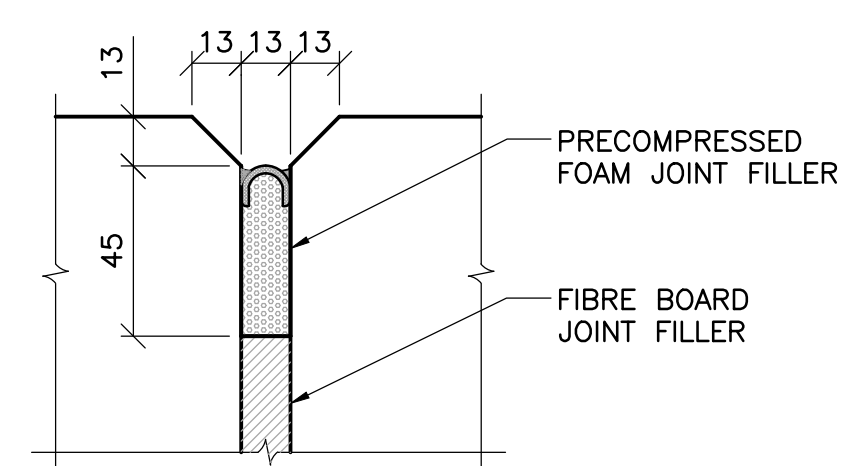
**3 BARRIER Mk. B2**  
 1 : 25  
 - NORTH WEST APPROACH BARRIER SHOWN  
 - NORTH EAST, SOUTH WEST AND SOUTH EAST SIMILAR  
 - 4 LOCATIONS TOTAL



**4 BARRIER Mk. B1**  
 1 : 30  
 - NORTH BARRIER SHOWN (13 THUS)  
 - SOUTH BARRIER SIMILAR (13 THUS)  
 - 26 LOCATIONS TOTAL



**5 BRIDGE BARRIER JOINT DETAIL**  
 1 : 10  
 - GALVANIZED PLAIN BAR AND EXPANSION SLEEVE TO BE LOCATED AT ALL CONC BARRIER JOINTS, HELD IN PLACE SECURELY BY A WOODEN TEMPLATE DURING CONC PLACEMENT  
 - REINFORCING STEEL NOT CONTINUOUS THROUGH JOINTS  
 - GALVANIZED PLAIN BAR AND SLEEVE PLACED INTO BARRIER CAST FIRST



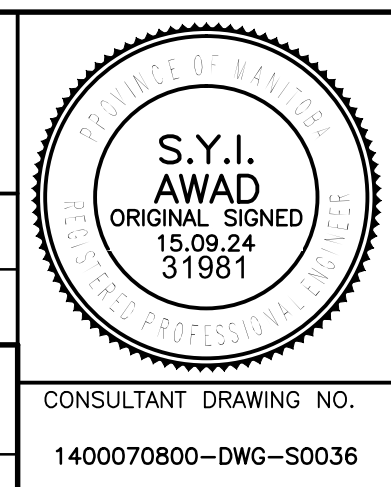
**6 DETAIL**  
 1 : 2



B.M. ELEV.			
DESIGNED BY	D.M.	CHECKED BY	S.A.
DRAWN BY	G.I.	APPROVED BY	E.F.S.
HOR. SCALE:	AS NOTED	ACCEPTED BY	DATE
VERTICAL:	AS NOTED	ORIGINAL DRAWING SIGNED BY: D.N. BURMEY, P.ENG.	15.09.24
0 ISSUED FOR TENDER	15.09.24	S.A.	
NO. REVISIONS	DATE	BY	DATE
			15.09.24

**TETRA TECH**

CONSULTANT DRAWING NO. 1400070800-DWG-S0036



**THE CITY OF WINNIPEG**  
 PUBLIC WORKS DEPARTMENT  
 ENGINEERING DIVISION

NESS AVENUE AT STURGEON CREEK  
 BRIDGE CONSTRUCTION

SIDEWALK, BARRIER AND CURB REINFORCING DETAILS

CITY DRAWING NUMBER B243-15-036  
 SHEET 36 OF 64

36