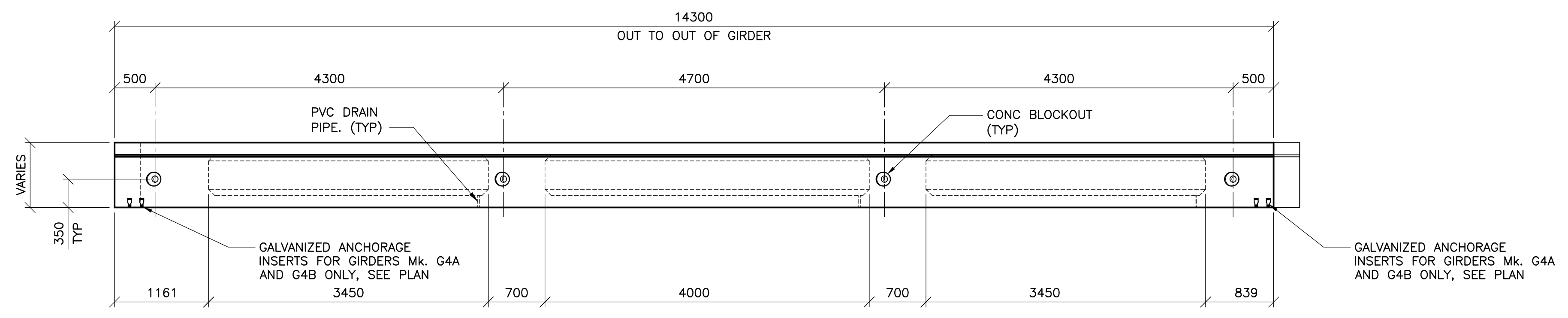
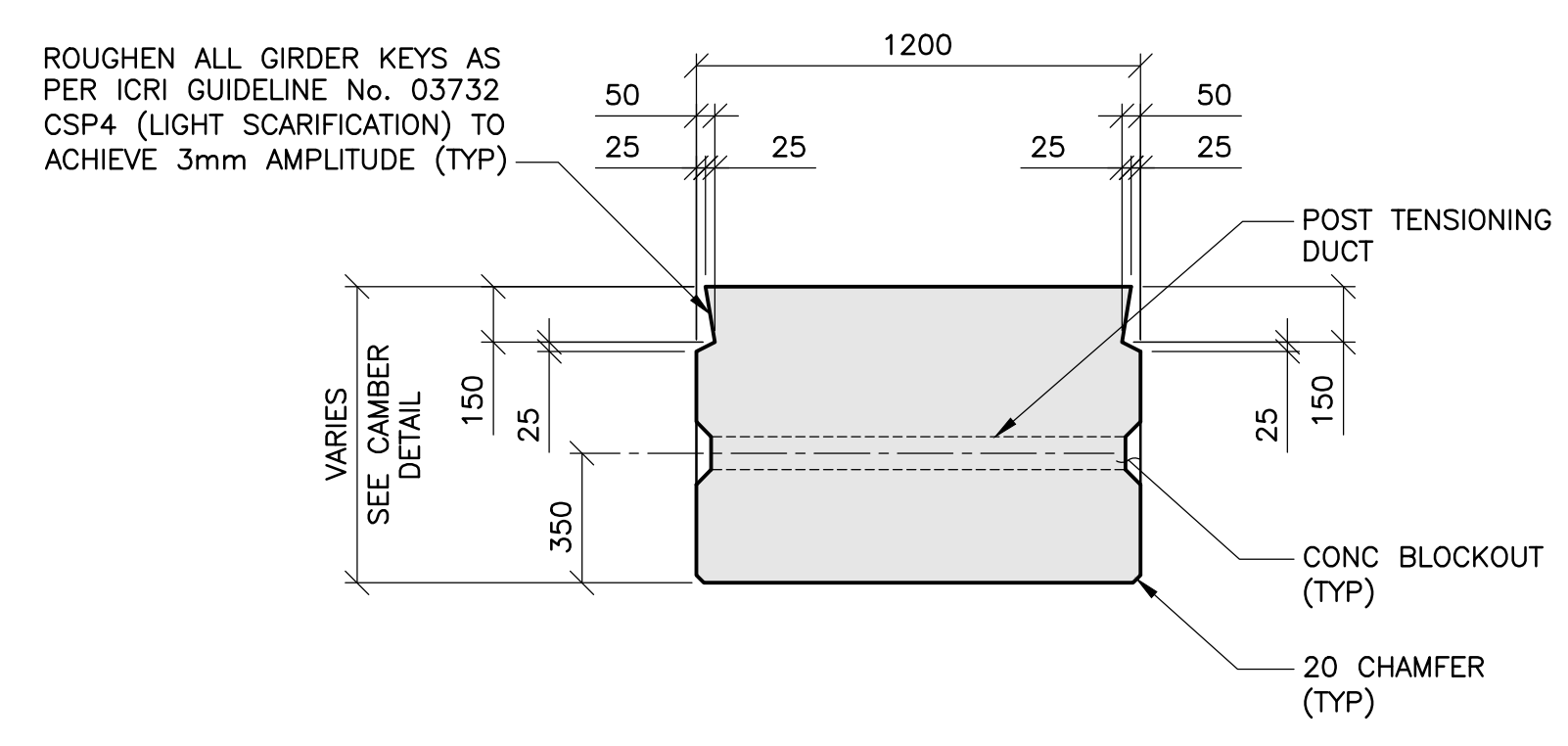


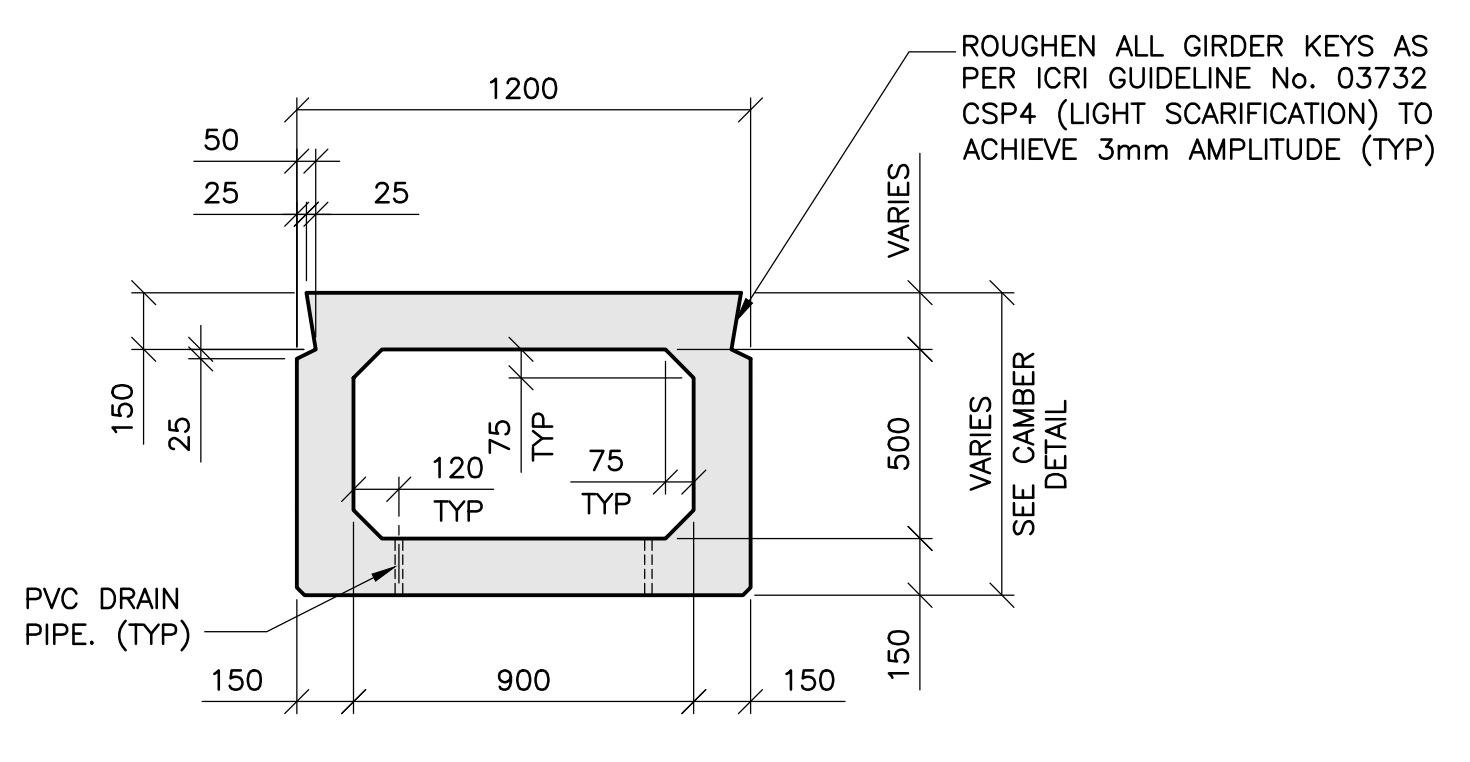
1 INTERIOR GIRDERS - Mk. G4, G4A AND G4B
1 : 40
- GIRDERS Mk. G4 AS SHOWN
- GIRDERS Mk. G4A AND G4B AS SHOWN AND NOTED



2 GIRDER ELEVATION
1 : 40



3 SECTION @ DIAPHRAGM
1 : 20



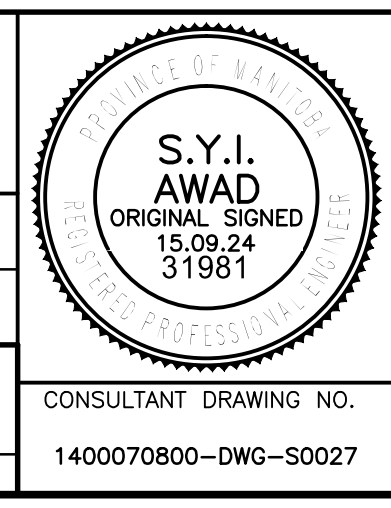
4 SECTION
1 : 20



| | | | |
|------------|-------------------|----------|------|
| B.M. ELEV. | | | |
| | | | |
| | | | |
| | | | |
| 0 | ISSUED FOR TENDER | 15.09.24 | S.A. |
| NO. | REVISIONS | DATE | BY |
| | | 15.09.24 | |

TETRA TECH

| | | | |
|-------------|----------|-----------------------------|--------------------------|
| DESIGNED BY | D.M. | CHECKED BY | S.A. |
| DRAWN BY | G.I. | APPROVED BY | E.F.S. |
| HOR. SCALE: | AS NOTED | ACCEPTED BY | DATE |
| VERTICAL: | AS NOTED | ORIGINAL DRAWING SIGNED BY: | 15.09.24 |
| | | D.N. BURMEY, P.ENG. | BRIDGE PROJECTS ENGINEER |



THE CITY OF WINNIPEG
PUBLIC WORKS DEPARTMENT
ENGINEERING DIVISION

Winnipeg

NESS AVENUE AT STURGEON CREEK
BRIDGE CONSTRUCTION

PRECAST PRESTRESSED BOX GIRDER
GIRDERS Mk. G4, G4A AND G4B
CONCRETE DETAILS

CITY DRAWING NUMBER
B243-15-027
SHEET 27 OF 64

CONSULTANT DRAWING NO.
1400070800-DWG-S0027

27