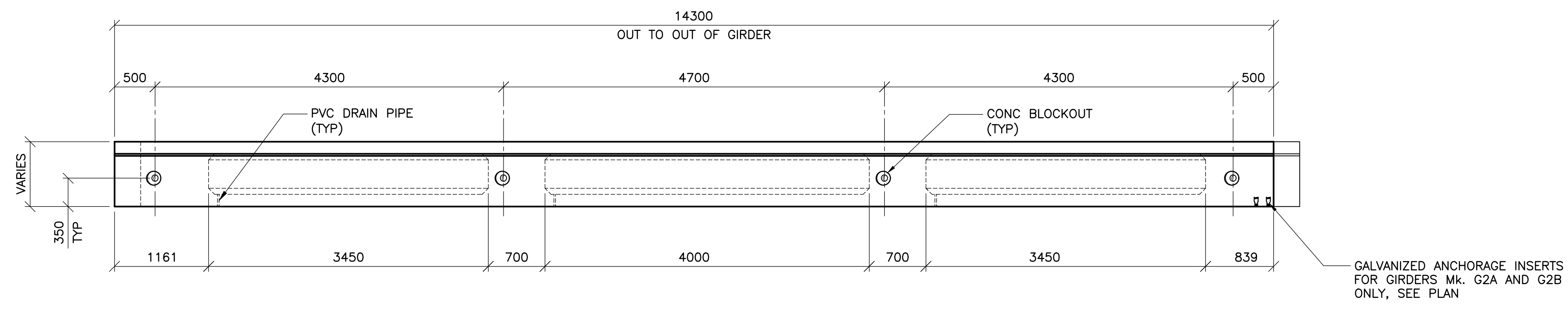
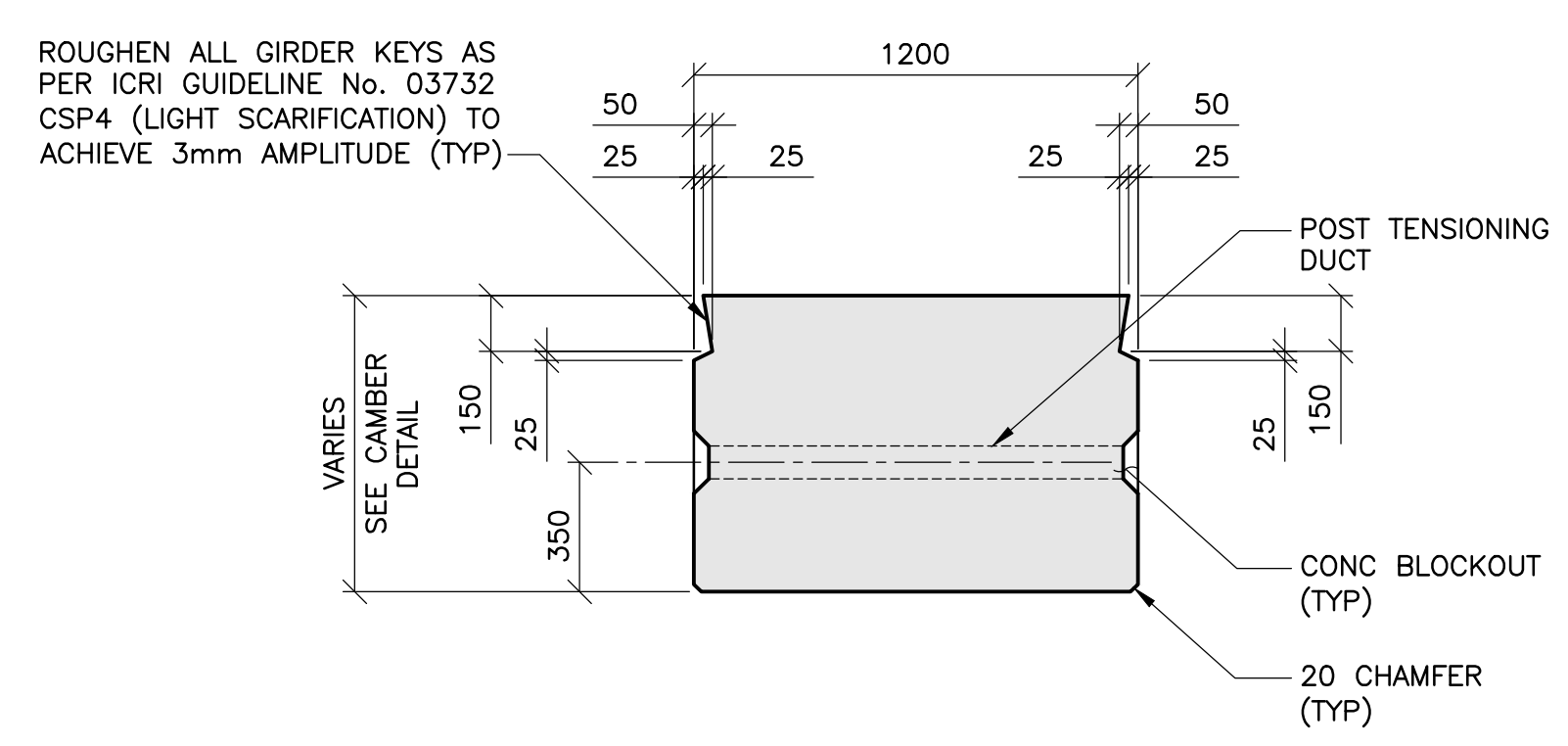


1 INTERIOR GIRDERS - Mk. G2, G2A AND G2B
1 : 40
- GIRDERS Mk. G2 AS SHOWN
- GIRDERS Mk. G2A AND G2B AS SHOWN AND NOTED

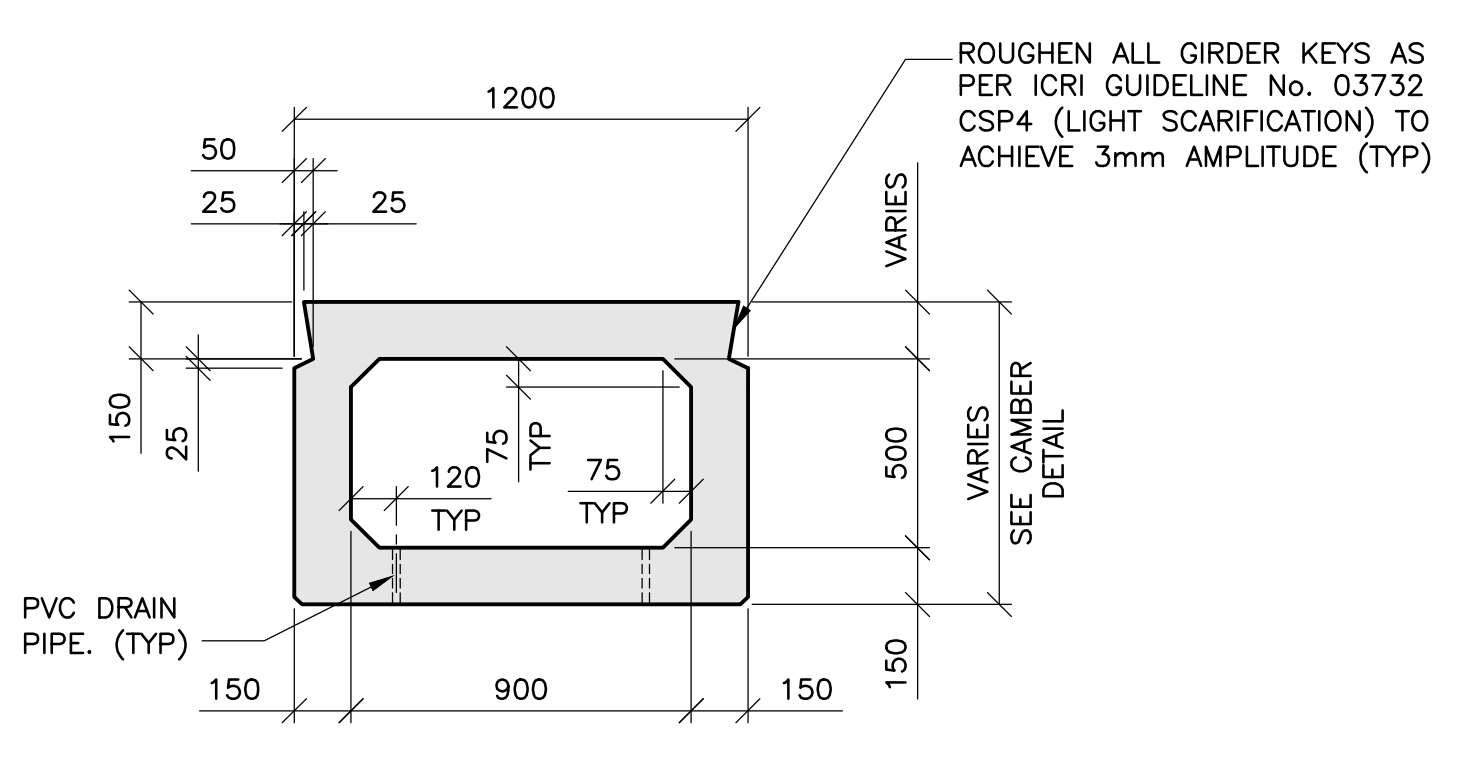


2 GIRDER ELEVATION
1 : 40

NOTES:
- DRAIN PIPES FOR WEST SPAN INTERIOR GIRDERS Mk. G2, G2A AND G2B SHALL BE IN WEST CORNERS OF EACH VOID
- DRAIN PIPES FOR EAST SPAN INTERIOR GIRDERS Mk. G2, G2A AND G2B SHALL BE IN EAST CORNERS OF EACH VOID



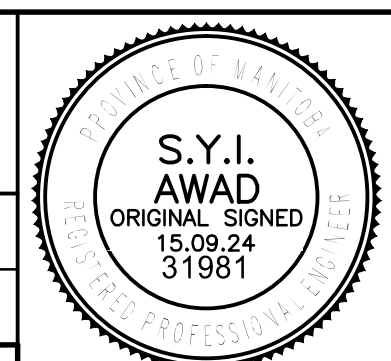
3 SECTION @ DIAPHRAGM
1 : 20



4 SECTION
1 : 20



B.M. ELEV.			
DESIGNED BY	D.M.	CHECKED BY	S.A.
DRAWN BY	G.I.	APPROVED BY	E.F.S.
HOR. SCALE:	AS NOTED	ACCEPTED BY	DATE
VERTICAL:	AS NOTED	ORIGINAL DRAWING SIGNED BY: D.N. BURMEY, P.ENG.	15.09.24
0 ISSUED FOR TENDER	15.09.24	S.A.	
NO. REVISIONS	DATE	BY	DATE
	15.09.24		



THE CITY OF WINNIPEG
PUBLIC WORKS DEPARTMENT
ENGINEERING DIVISION

NESS AVENUE AT STURGEON CREEK
BRIDGE CONSTRUCTION

CITY DRAWING NUMBER
B243-15-026
SHEET 26 OF 64

PRECAST PRESTRESSED BOX GIRDER
GIRDERS Mk. G2 AND G2A
CONCRETE DETAILS

26

CONSULTANT DRAWING NO.
1400070800-DWG-S0026