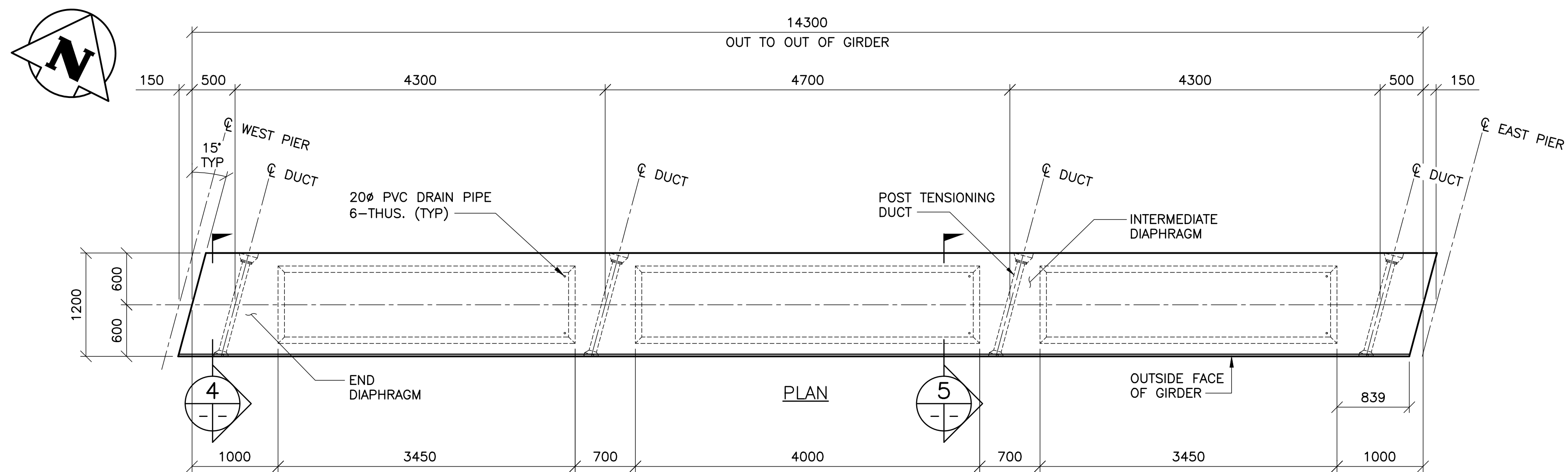
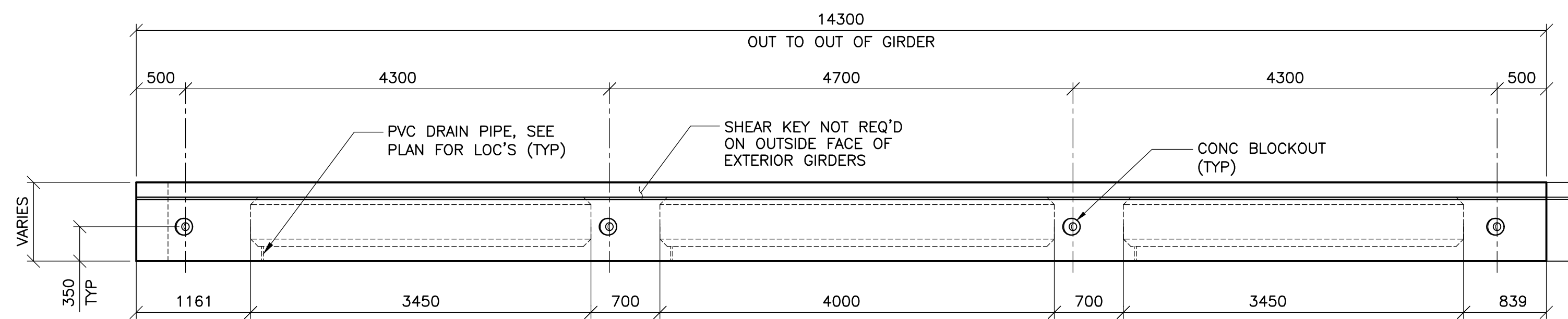


**1** EXTERIOR GIRDERS - Mk. G1 AND G1A  
 1 : 40  
 - GIRDERS Mk. G1 AS SHOWN  
 - GIRDERS Mk. G1A AS SIMILAR EXCEPT FOR DRAIN PIPE LOCATIONS



**2** EXTERIOR GIRDERS - Mk. G3 AND G3A  
 1 : 40  
 - GIRDERS Mk. G3 AS SHOWN  
 - GIRDERS Mk. G3A SIMILAR EXCEPT FOR DRAIN PIPE LOCATIONS

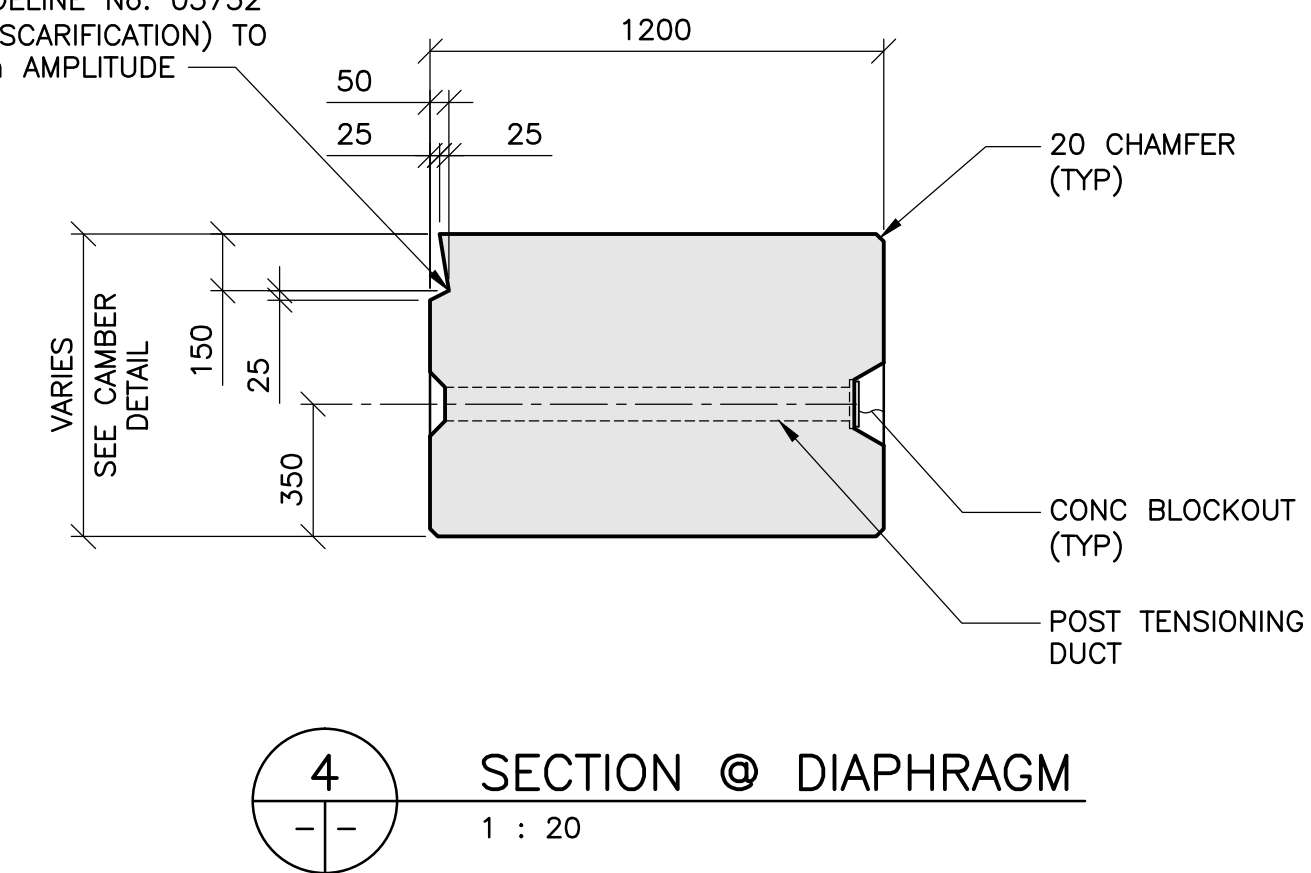


**3** GIRDER ELEVATION  
 1 : 40

**NOTES:**  
 - DRAIN PIPES FOR WEST SPAN EXTERIOR GIRDERS Mk. G1 AND G1A SHALL BE IN WEST CORNERS OF EACH VOID  
 - DRAIN PIPES FOR EAST SPAN EXTERIOR GIRDERS Mk. G1 AND G1A SHALL BE IN EAST CORNERS OF EACH VOID  
 - DRAIN PIPES FOR MIDDLE SPAN EXTERIOR GIRDERS Mk. G3 AND G3A SHALL BE IN EAST CORNERS OF EACH VOID

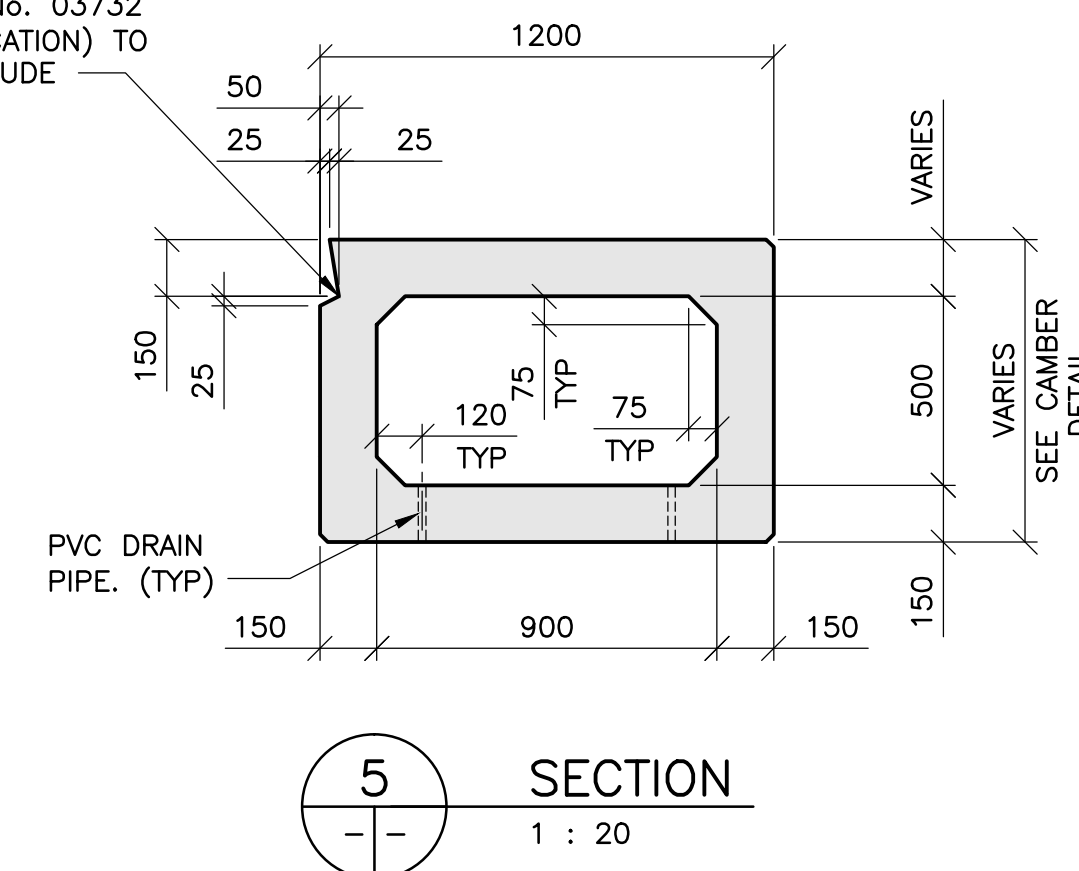


ROUGHEN ALL GIRDER KEYS AS PER ICRI GUIDELINE No. 03732 CSP4 (LIGHT SCARIFICATION) TO ACHIEVE 3mm AMPLITUDE



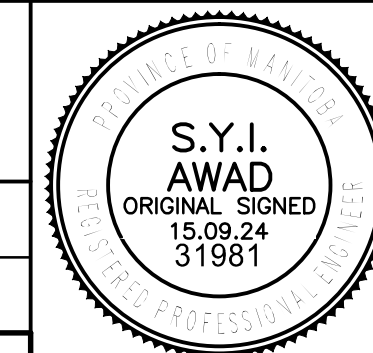
**4** SECTION @ DIAPHRAGM  
 1 : 20

ROUGHEN ALL GIRDER KEYS AS PER ICRI GUIDELINE No. 03732 CSP4 (LIGHT SCARIFICATION) TO ACHIEVE 3mm AMPLITUDE



**5** SECTION  
 1 : 20

B.M. ELEV.			
DESIGNED BY	D.M.	CHECKED BY	S.A.
DRAWN BY	G.I.	APPROVED BY	E.F.S.
HOR. SCALE:	AS NOTED	ACCEPTED BY	DATE
VERTICAL:	AS NOTED	ORIGINAL DRAWING SIGNED BY: D.N. BURMEY, P.ENG.	15.09.24
0 ISSUED FOR TENDER	15.09.24	S.A.	
NO. REVISIONS	DATE	BY	DATE
	15.09.24		



**THE CITY OF WINNIPEG**  
 PUBLIC WORKS DEPARTMENT  
 ENGINEERING DIVISION

**NESS AVENUE AT STURGEON CREEK BRIDGE CONSTRUCTION**  
 PRECAST PRESTRESSED BOX GIRDER GIRDERS Mk. G1, G1A, G3 AND G3A CONCRETE DETAILS

CITY DRAWING NUMBER: **B243-15-025**  
 SHEET **25** OF **64**  
**25**

CONSULTANT DRAWING NO. 1400070800-DWG-S0025