

INCONSISTENCIES:

- I-1 W126-XLN IS CURRENTLY DESIGNATED AS W126-TAH1.
- I-2 IT IS NOT CLEAR WHAT PROVIDES THE SIGNAL FOR PLC I/O POINT W125-TAH1.
- I-3 PLC INPUT W125-HC1 IS CURRENTLY DESIGNATED AS W126-HC1.
- I-4 W125-HS5, HS6, & HS7 ARE CURRENTLY DESIGNATED AS W126-HS5, HS6, & HS7 RESPECTIVELY.

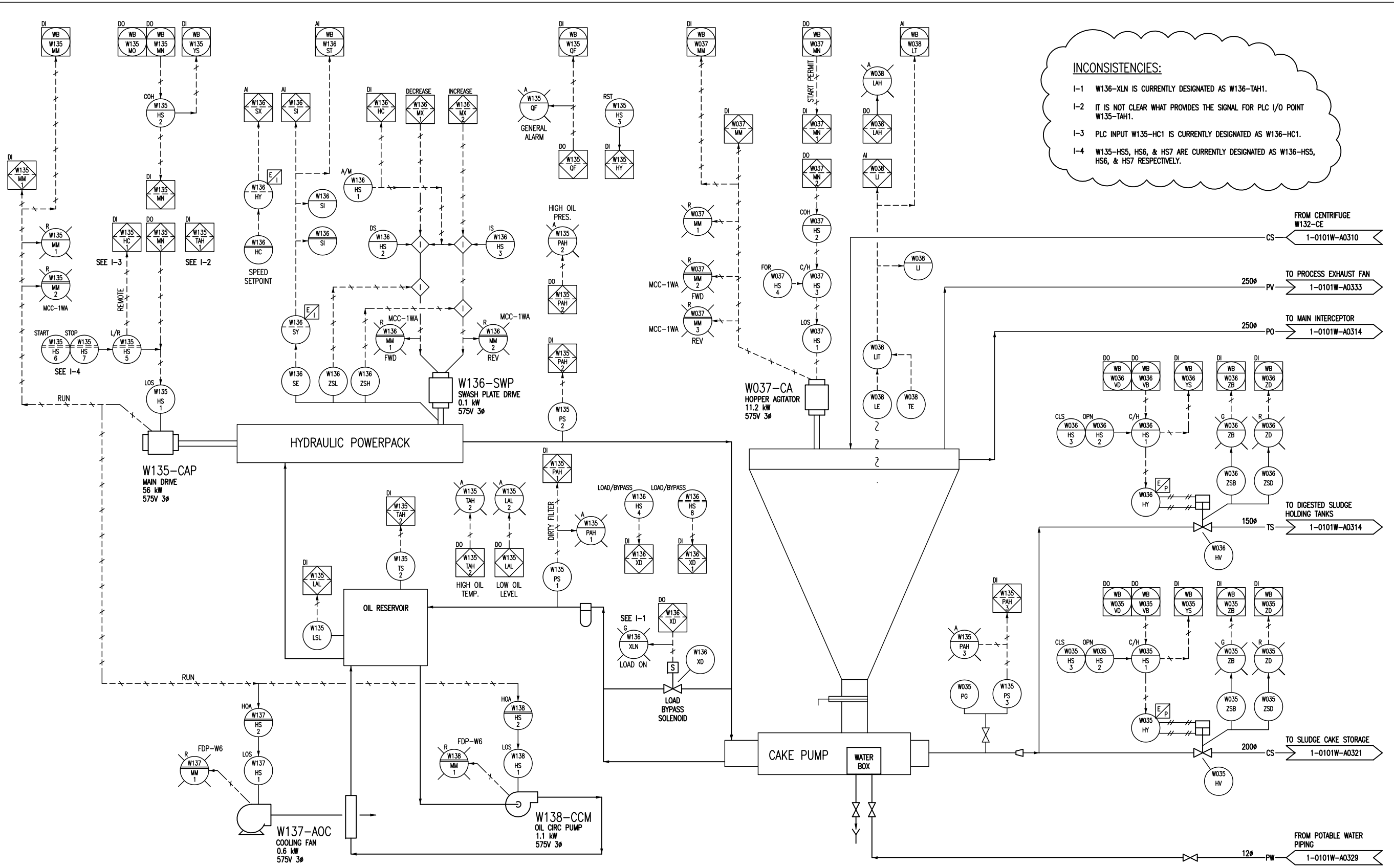
NOTES:

1. ALL INSTRUMENTS SHOWN IN AN AUXILIARY LOCATION ARE IN THE CORRESPONDING LOCAL CONTROL PANEL UNLESS OTHERWISE NOTED.

B.M. ELEV.	FIELD BOOK #:	SNC-LAVALIN Engineers & Constructors		SNC-LAVALIN 200-1600 Main Avenue Winnipeg, Manitoba Canada R3J 3N7		ENGINEER'S SEAL
POSTED TO LBS		DESIGNED BY	EXISTING	CHECKED BY	CJR	<p>THE CITY OF WINNIPEG WATER AND WASTE DEPARTMENT</p> <p>NORTH END WATER POLLUTION CONTROL CENTRE DEWATERING PROCESS & INSTRUMENTATION DIAGRAM SLUDGE CAKE PUMP 2</p>
		DRAWN BY	DAS/CJR	APPROVED BY	EMR	
03 DWG WAS 1-0101W-G-A0316	2010/12/06	SW		RELEASED FOR CONSTRUCTION		
02 RENUMBERED FACILITY CODE	2005/10/06	CJR				
01 ISSUED FOR C.O.W. USE	2005/09/15	CJR				
00 RELEASED FOR CUSTOMER REVIEW	2005/08/22	CJR		DATE	2005/08/12	DATE
NO. REVISIONS	DATE	BY	FILENAME: 1-0101W-A0316-001-03.dwg			

1-0101A-A0001	PROCESS AND INSTRUMENT DIAGRAMS LEGEND AND DETAILS
DRAWING NUMBER	REFERENCE DRAWINGS

CITY DRAWING NUMBER	SHEET	REV.	SIZE
1-0101W-A0316	001	03	D



INCONSISTENCIES:

- I-1 W136-XLN IS CURRENTLY DESIGNATED AS W136-TAH1.
- I-2 IT IS NOT CLEAR WHAT PROVIDES THE SIGNAL FOR PLC I/O POINT W135-TAH1.
- I-3 PLC INPUT W135-HC1 IS CURRENTLY DESIGNATED AS W136-HC1.
- I-4 W135-HS5, HS6, & HS7 ARE CURRENTLY DESIGNATED AS W136-HS5, HS6, & HS7 RESPECTIVELY.

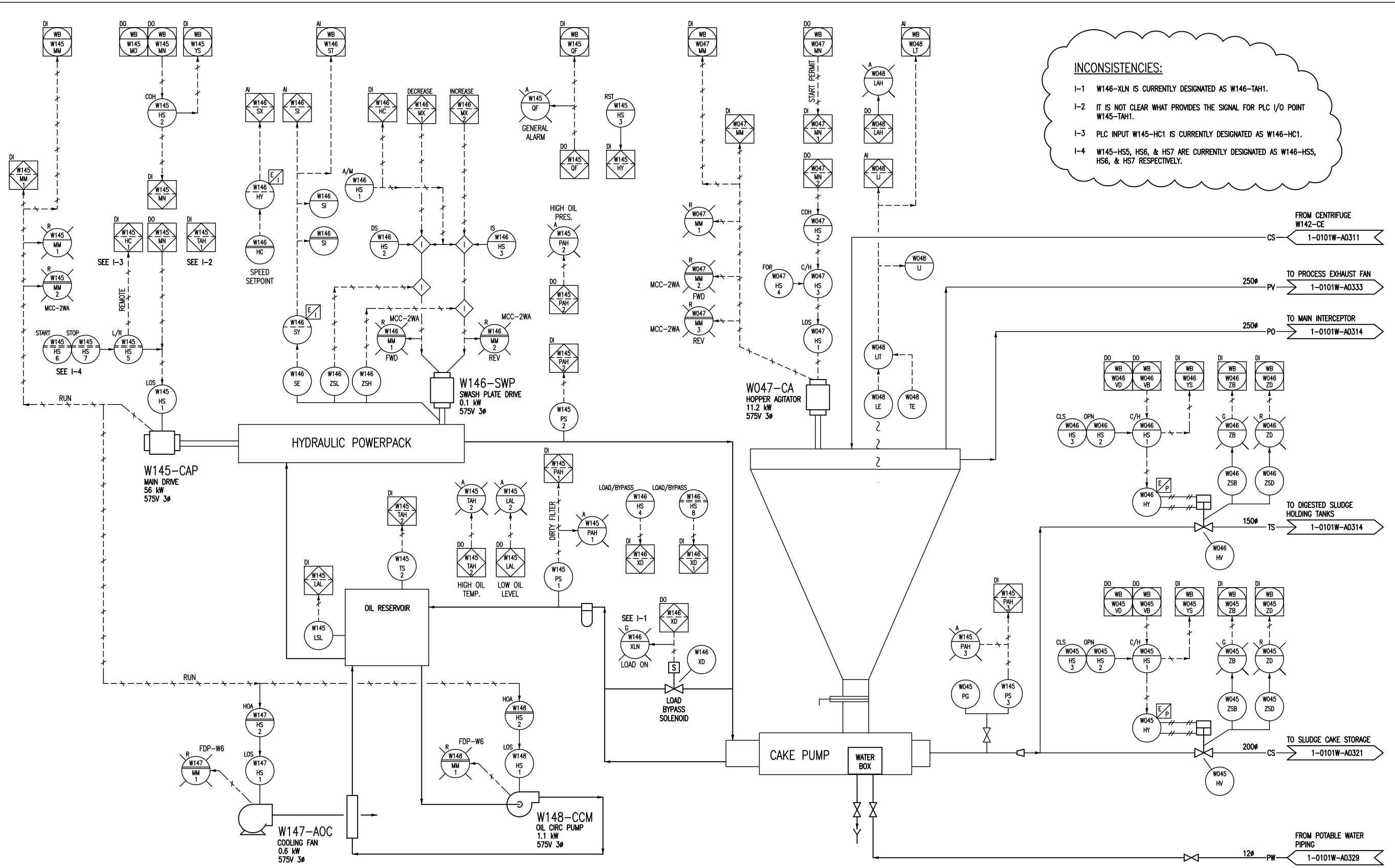
NOTES:

1. ALL INSTRUMENTS SHOWN IN AN AUXILIARY LOCATION ARE IN THE CORRESPONDING LOCAL CONTROL PANEL UNLESS OTHERWISE NOTED.

B.M. ELEV.	FIELD BOOK #:	SNC-LAVALIN Engineers & Constructors		SNC-LAVALIN 200-1600 Main Avenue Winnipeg, Manitoba Canada R3J 2W7		ENGINEER'S SEAL
POSTED TO LBS		DESIGNED BY	EXISTING	CHECKED BY	CJR	<p>THE CITY OF WINNIPEG WATER AND WASTE DEPARTMENT</p> <p>NORTH END WATER POLLUTION CONTROL CENTRE DEWATERING PROCESS & INSTRUMENTATION DIAGRAM SLUDGE CAKE PUMP 3</p>
		DRAWN BY	DAS/CJR	APPROVED BY	EMR	
03 DWG WAS 1-0101W-G-A0317	2010/12/06	SW		RELEASED FOR CONSTRUCTION		
02 RENUMBERED FACILITY CODE	2005/10/06	CJR				
01 ISSUED FOR C.O.W. USE	2005/09/15	CJR				
00 RELEASED FOR CUSTOMER REVIEW	2005/08/22	CJR		DATE	2005/08/12	
NO. REVISIONS	DATE	BY	FILENAME: 1-0101W-A0317-001-03.dwg			

1-0101A-A0001	PROCESS AND INSTRUMENT DIAGRAMS LEGEND AND DETAILS
DRAWING NUMBER	REFERENCE DRAWINGS

CITY DRAWING NUMBER	SHEET	REV.	SIZE
1-0101W-A0317	001	03	D



INCONSISTENCIES:

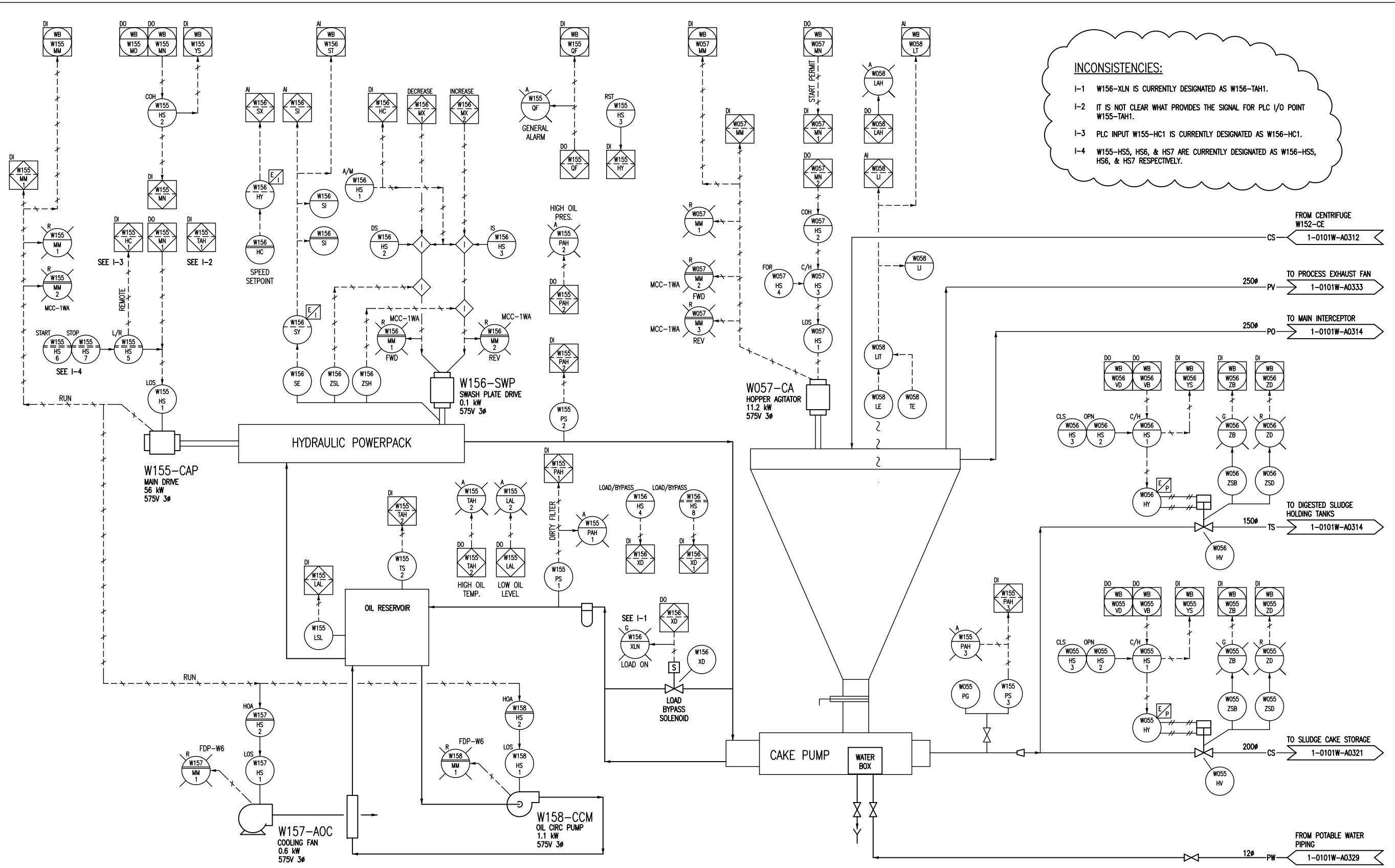
- I-1 W146-XLN IS CURRENTLY DESIGNATED AS W146-TAH1.
- I-2 IT IS NOT CLEAR WHAT PROVIDES THE SIGNAL FOR PLC I/O POINT W145-TAH1.
- I-3 PLC INPUT W145-HC1 IS CURRENTLY DESIGNATED AS W146-HC1.
- I-4 W145-HS5, HS6, & HS7 ARE CURRENTLY DESIGNATED AS W146-HS5, HS6, & HS7 RESPECTIVELY.

NOTES:

- ALL INSTRUMENTS SHOWN IN AN AUXILIARY LOCATION ARE IN THE CORRESPONDING LOCAL CONTROL PANEL UNLESS OTHERWISE NOTED.

B.M. ELEV.	FIELD BOOK #:	SNC-LAVALIN Engineers & Constructors		SNC-LAVALIN 200-1600 Main Avenue Winnipeg, Manitoba Canada R3J 3K7		ENGINEER'S SEAL	
POSTED TO LBS		DESIGNED BY	EXISTING	CHECKED BY	CJR	THE CITY OF WINNIPEG WATER AND WASTE DEPARTMENT NORTH END WATER POLLUTION CONTROL CENTRE DEWATERING PROCESS & INSTRUMENTATION DIAGRAM SLUDGE CAKE PUMP 4	
		DRAWN BY	DAS/CJR	APPROVED BY	EMR		
03 DWG WAS 1-0101W-G-A0318	2010/12/06	SW		RELEASED FOR CONSTRUCTION		CITY DRAWING NUMBER 1-0101W-A0318	
02 RENUMBERED FACILITY CODE	2005/10/06	CJR					SHEET REV. SIZE 001 03 D
01 ISSUED FOR C.O.W. USE	2005/09/15	CJR					
00 RELEASED FOR CUSTOMER REVIEW	2005/08/22	CJR		DATE	2005/08/12		
NO. REVISIONS	DATE	BY	FILENAME: 1-0101W-A0318-001-03.dwg				

1-0101A-A0001	PROCESS AND INSTRUMENT DIAGRAMS LEGEND AND DETAILS
DRAWING NUMBER	REFERENCE DRAWINGS



INCONSISTENCIES:

- I-1 W156-XLN IS CURRENTLY DESIGNATED AS W156-TAH1.
- I-2 IT IS NOT CLEAR WHAT PROVIDES THE SIGNAL FOR PLC I/O POINT W155-TAH1.
- I-3 PLC INPUT W155-HC1 IS CURRENTLY DESIGNATED AS W156-HC1.
- I-4 W155-HS5, HS6, & HS7 ARE CURRENTLY DESIGNATED AS W156-HS5, HS6, & HS7 RESPECTIVELY.

NOTES:

1. ALL INSTRUMENTS SHOWN IN AN AUXILIARY LOCATION ARE IN THE CORRESPONDING LOCAL CONTROL PANEL UNLESS OTHERWISE NOTED.

B.M. ELEV.	FIELD BOOK #:	SNC-LAVALIN Engineers & Constructors		SNC-LAVALIN 200-1600 Main Avenue Winnipeg, Manitoba Canada R3J 2W7	
POSTED TO LBS		DESIGNED BY	EXISTING	CHECKED BY	CJR
		DRAWN BY	DAS/CJR	APPROVED BY	EMR
03 DWG WAS 1-0101W-G-A0319	2010/12/06	SW		RELEASED FOR CONSTRUCTION	
02 RENUMBERED FACILITY CODE	2005/10/06	CJR			
01 ISSUED FOR C.O.W. USE	2005/09/15	CJR			
00 RELEASED FOR CUSTOMER REVIEW	2005/08/22	CJR		DATE	2005/08/12
NO. REVISIONS	DATE	BY	FILENAME:	1-0101W-A0319-001-03.dwg	

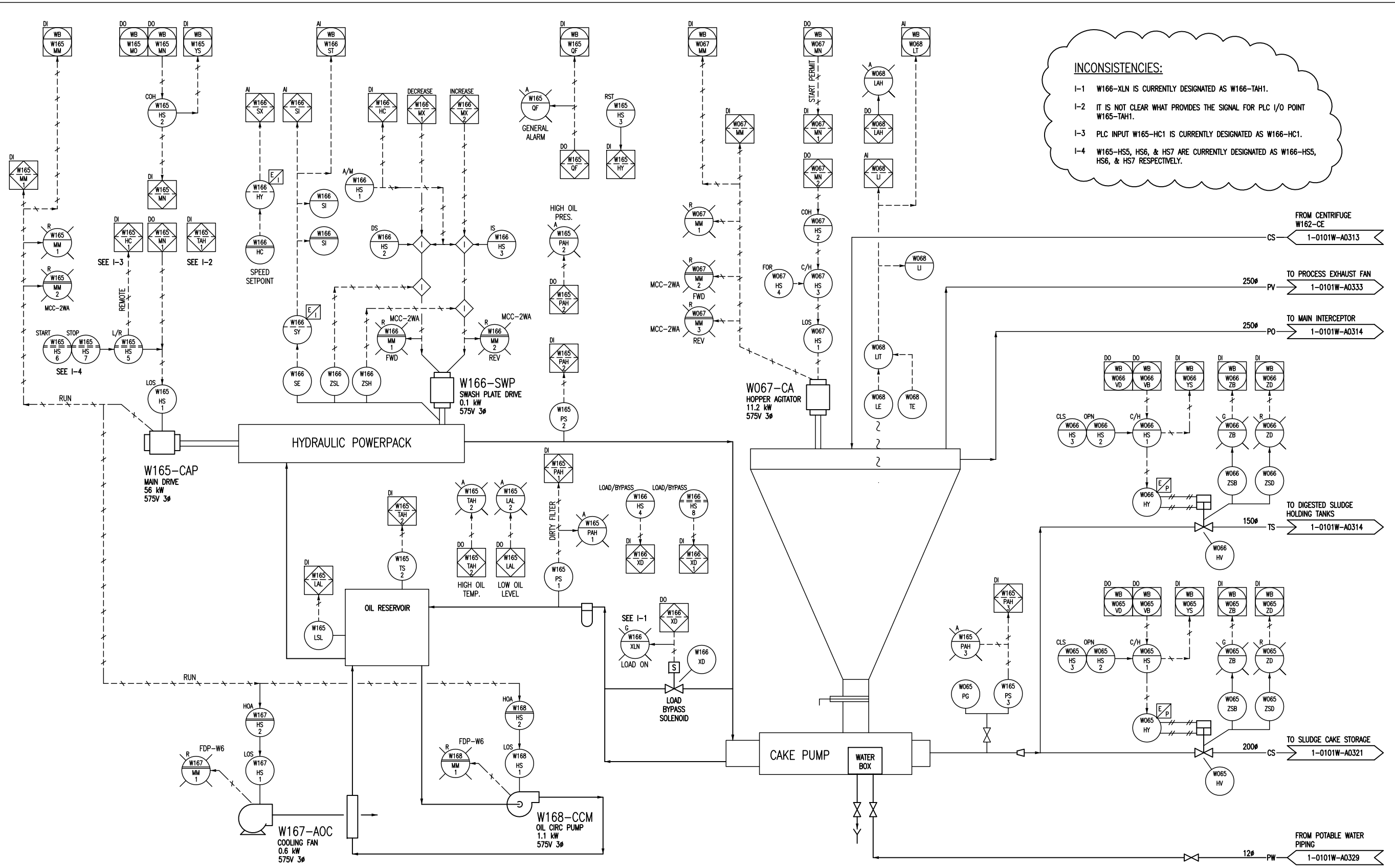
ENGINEER'S SEAL

THE CITY OF WINNIPEG
 WATER AND WASTE DEPARTMENT

NORTH END WATER POLLUTION CONTROL CENTRE
 DEWATERING
 PROCESS & INSTRUMENTATION DIAGRAM
 SLUDGE CAKE PUMP 5

CITY DRAWING NUMBER	SHEET	REV.	SIZE
1-0101W-A0319	001	03	D

1-0101A-A0001	PROCESS AND INSTRUMENT DIAGRAMS LEGEND AND DETAILS
DRAWING NUMBER	REFERENCE DRAWINGS



INCONSISTENCIES:

- I-1 W166-XLN IS CURRENTLY DESIGNATED AS W166-TAH1.
- I-2 IT IS NOT CLEAR WHAT PROVIDES THE SIGNAL FOR PLC I/O POINT W165-TAH1.
- I-3 PLC INPUT W165-HC1 IS CURRENTLY DESIGNATED AS W166-HC1.
- I-4 W165-HS5, HS6, & HS7 ARE CURRENTLY DESIGNATED AS W166-HS5, HS6, & HS7 RESPECTIVELY.

NOTES:

- ALL INSTRUMENTS SHOWN IN AN AUXILIARY LOCATION ARE IN THE CORRESPONDING LOCAL CONTROL PANEL UNLESS OTHERWISE NOTED.

B.M. ELEV.	FIELD BOOK #:	SNC-LAVALIN Engineers & Constructors		SNC-LAVALIN 200-1600 Main Avenue Winnipeg, Manitoba Canada R3J 3H7	
POSTED TO LBS		DESIGNED BY	EXISTING	CHECKED BY	CJR
		DRAWN BY	DAS/CJR	APPROVED BY	EMR
03 DWG WAS 1-0101W-G-A0320	2010/12/06	SW		RELEASED FOR CONSTRUCTION	
02 RENUMBERED FACILITY CODE	2005/10/06	CJR			
01 ISSUED FOR C.O.W. USE	2005/09/15	CJR			
00 RELEASED FOR CUSTOMER REVIEW	2005/08/22	CJR		DATE	2005/08/12
NO. REVISIONS	DATE	BY	FILENAME:	1-0101W-A0320-001-03.dwg	

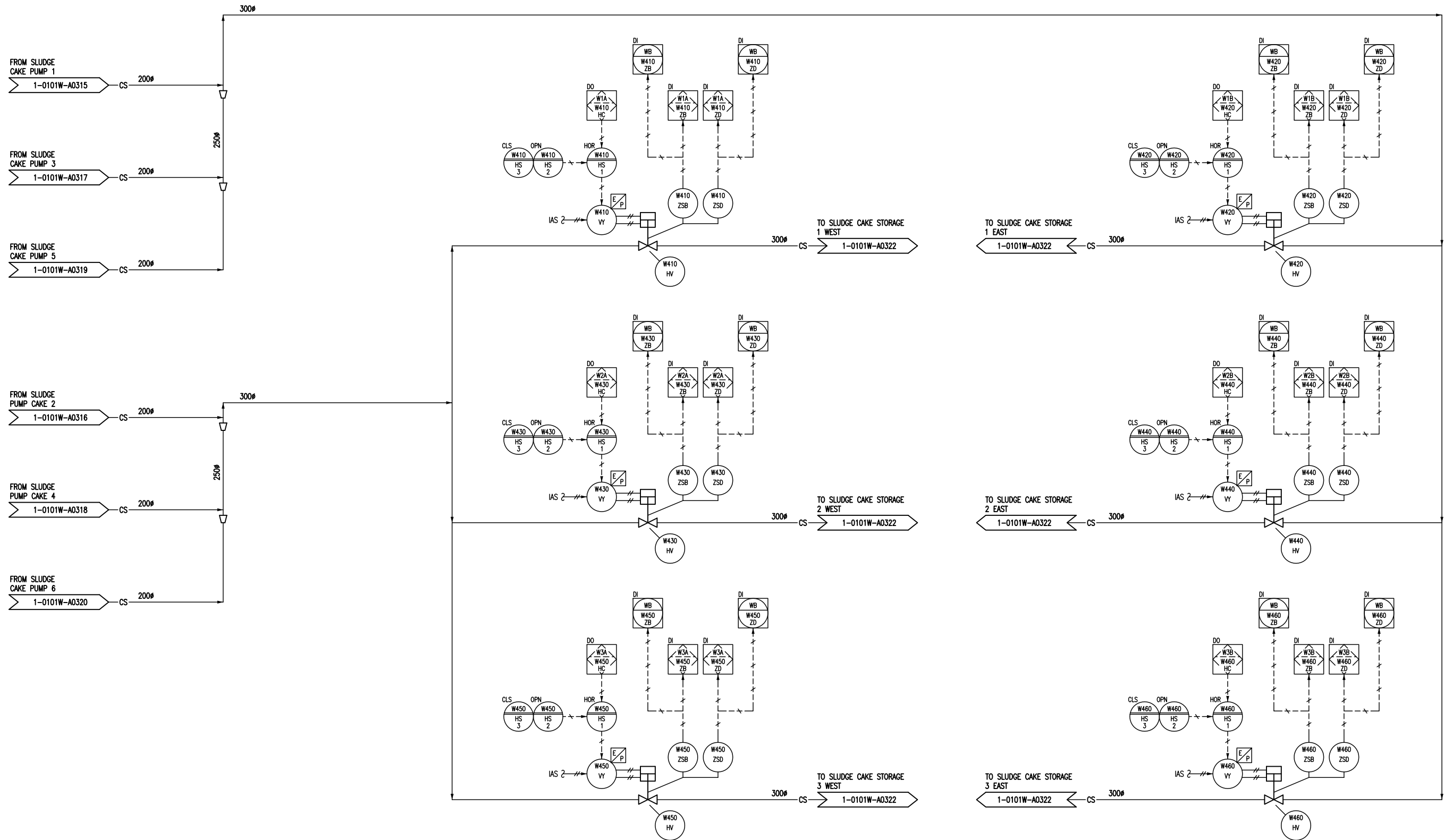
ENGINEER'S SEAL

THE CITY OF WINNIPEG
WATER AND WASTE DEPARTMENT

NORTH END WATER POLLUTION CONTROL CENTRE
DEWATERING
PROCESS & INSTRUMENTATION DIAGRAM
SLUDGE CAKE PUMP 6

CITY DRAWING NUMBER	SHEET	REV.	SIZE
1-0101W-A0320	001	03	D

1-0101A-A0001	PROCESS AND INSTRUMENT DIAGRAMS LEGEND AND DETAILS
DRAWING NUMBER	REFERENCE DRAWINGS



NOTES:

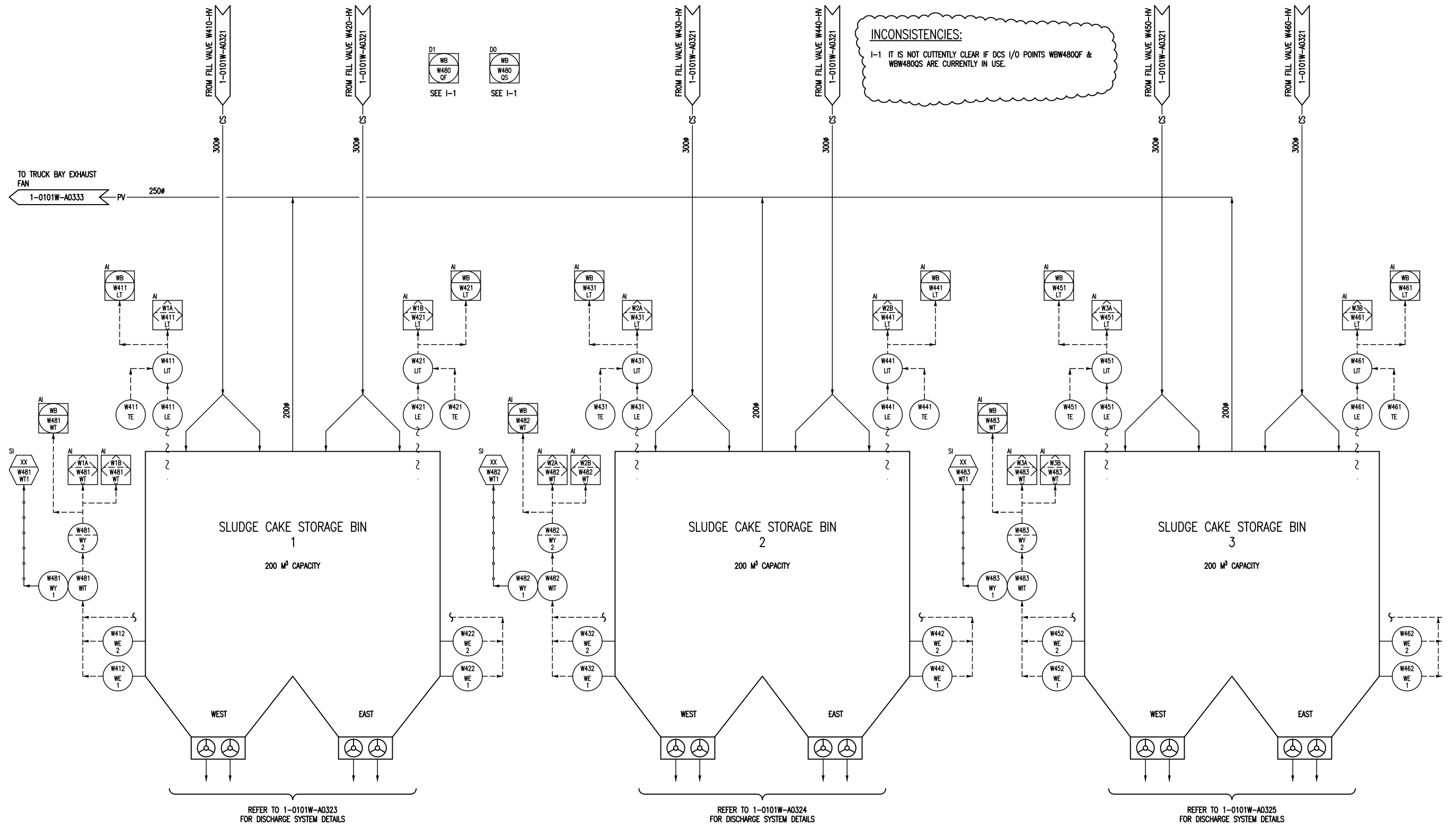
1. ALL INSTRUMENTS SHOWN IN AN AUXILIARY LOCATION ARE IN THE LOCAL CONTROL PANEL CORRESPONDING TO THE SLUDGE CAKE STORAGE BIN.
2. THE PLC IDENTIFIERS USED ARE TEMPORARY, AND SHOULD BE UPDATED WHEN APPROVED IDENTIFIERS ARE DESIGNATED.

1-0101A-A0001	PROCESS AND INSTRUMENT DIAGRAMS LEGEND AND DETAILS
DRAWING NUMBER	REFERENCE DRAWINGS

B.M. ELEV.	FIELD BOOK #:
POSTED TO LBS	
DESIGNED BY	EXISTING
CHECKED BY	CJR
DRAWN BY	CJR
APPROVED BY	EMR
HOR. SCALE	NTS
VERTICAL	RELEASED FOR CONSTRUCTION
DATE	2004/12/08
DATE	
NO. REVISIONS	DATE BY
FILENAME: 1-0101W-A0321-001-03.dwg	

SNC-LAVALIN Engineers & Constructors		SNC-LAVALIN 200-1600 Main Avenue Winnipeg, Manitoba Canada R3J 3N7	
DESIGNED BY	EXISTING	CHECKED BY	CJR
DRAWN BY	CJR	APPROVED BY	EMR
HOR. SCALE	NTS	RELEASED FOR CONSTRUCTION	
VERTICAL		DATE	
DATE	2005/08/22	CJR	
NO. REVISIONS	DATE BY	FILENAME:	1-0101W-A0321-001-03.dwg

ENGINEER'S SEAL		THE CITY OF WINNIPEG WATER AND WASTE DEPARTMENT	
NORTH END WATER POLLUTION CONTROL CENTRE DEWATERING PROCESS & INSTRUMENTATION DIAGRAM SLUDGE CAKE STORAGE FILL VALVES			
CITY DRAWING NUMBER	SHEET	REV.	SIZE
1-0101W-A0321	001	03	D



NOTES:
 1. THE PLC IDENTIFIERS USED ARE TEMPORARY, AND SHOULD BE UPDATED WHEN APPROVED IDENTIFIERS ARE DESIGNATED.

1-0101A-A0001	PROCESS AND INSTRUMENT DIAGRAMS LEGEND AND DETAILS
DRAWING NUMBER	REFERENCE DRAWINGS

B.M. ELEV.	FIELD BOOK #:	SNC-LAVALIN Engineers & Constructors		SNC-LAVALIN 200-1600 Main Avenue Winnipeg, Manitoba Canada R3J 3M7	
POSTED TO LBS		DESIGNED BY	EXISTING	CHECKED BY	CJR
		DRAWN BY	DAS	APPROVED BY	EMR
03 DWG WAS 1-0101W-G-A0322	2010/12/06	SW		RELEASED FOR CONSTRUCTION	
02 RENUMBERED FACILITY CODE	2005/10/06	CJR			
01 ISSUED FOR C.O.W. USE	2005/09/15	CJR			
00 RELEASED FOR CUSTOMER REVIEW	2005/08/22	CJR			
NO. REVISIONS	DATE	BY	FILENAME: 1-0101W-A0322-001-03.dwg		

ENGINEER'S SEAL

THE CITY OF WINNIPEG
 WATER AND WASTE DEPARTMENT

NORTH END WATER POLLUTION CONTROL CENTRE
 DEWATERING
 PROCESS & INSTRUMENTATION DIAGRAM
 SLUDGE CAKE STORAGE BINS

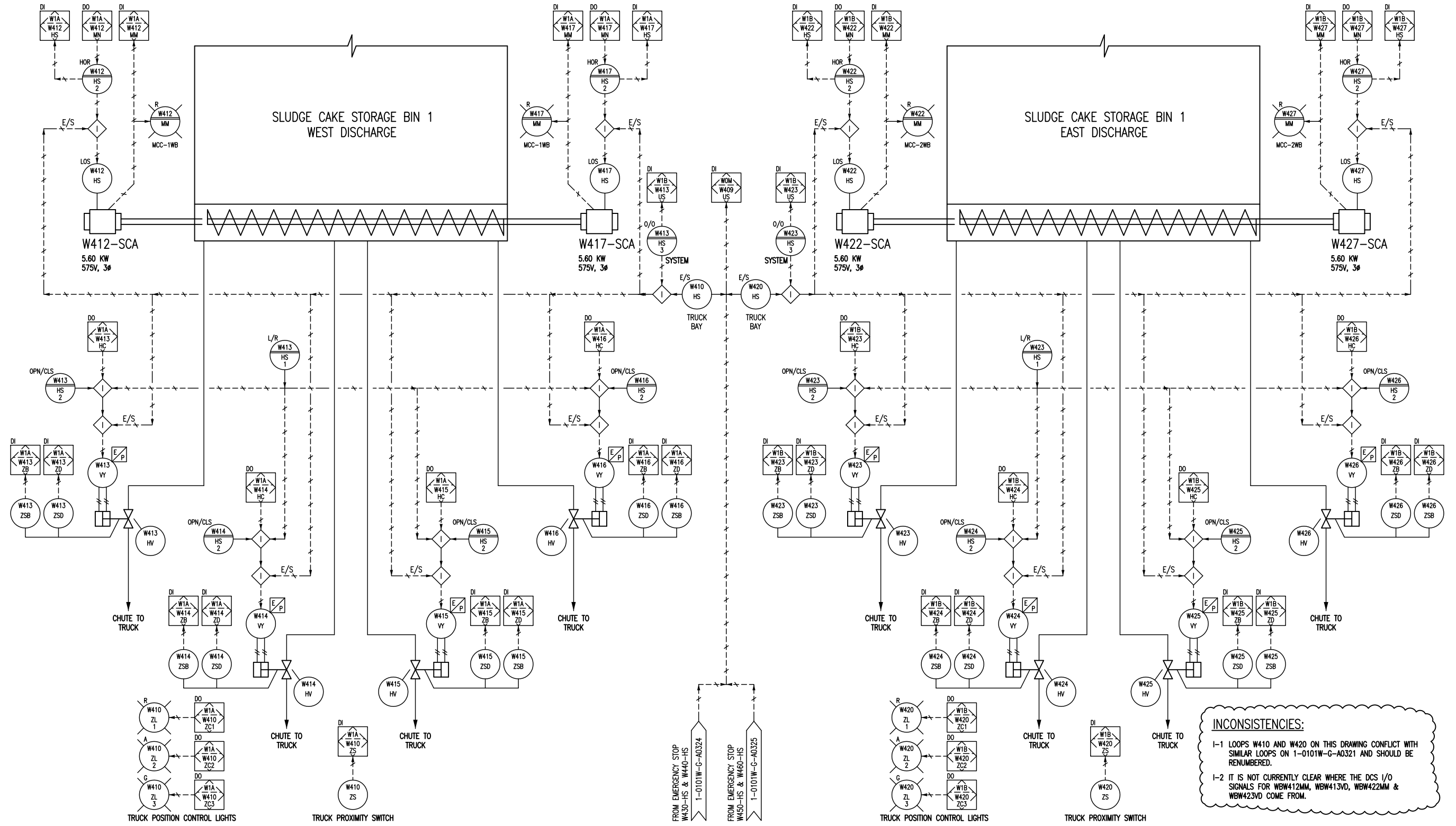
CITY DRAWING NUMBER: 1-0101W-A0322
 SHEET: 001
 REV: 03
 SIZE: D

DI WB W412 MM AUGER RUNNING SEE I-2

DI WB W413 VD DISCHARGE VALVE OPEN SEE I-2

DI WB W422 MM AUGER RUNNING SEE I-2

DI WB W423 VD DISCHARGE VALVE OPEN SEE I-2



INCONSISTENCIES:
 I-1 LOOPS W410 AND W420 ON THIS DRAWING CONFLICT WITH SIMILAR LOOPS ON 1-0101W-G-A0321 AND SHOULD BE RENUMBERED.
 I-2 IT IS NOT CURRENTLY CLEAR WHERE THE DCS I/O SIGNALS FOR WBW412MM, WBW413VD, WBW422MM & WBW423VD COME FROM.

- NOTES:**
- THE PLC IDENTIFIERS USED ARE TEMPORARY, AND SHOULD BE UPDATED WHEN APPROVED IDENTIFIERS ARE DESIGNATED.
 - ALL INSTRUMENTS SHOWN IN A AUXILIARY LOCATION ARE IN THE CORRESPONDING LOCAL CONTROL PANEL, UNLESS OTHERWISE NOTED.

B.M. ELEV.	FIELD BOOK #:	SNC-LAVALIN Engineers & Constructors		SNC-LAVALIN 200-1600 Main Avenue Winnipeg, Manitoba Canada R3J 3M7	
POSTED TO LBS		DESIGNED BY	EXISTING	CHECKED BY	CJR
		DRAWN BY	DAS	APPROVED BY	EMR
03 DWG WAS 1-0101W-G-A0323	2010/12/06	SW		RELEASED FOR CONSTRUCTION	
02 RENUMBERED FACILITY CODE	2005/10/06	CJR			
01 ISSUED FOR C.O.W. USE	2005/09/15	CJR			
00 RELEASED FOR CUSTOMER REVIEW	2005/08/22	CJR		DATE	
NO. REVISIONS	DATE	BY	FILENAME: 1-0101W-A0323-001-03.dwg		

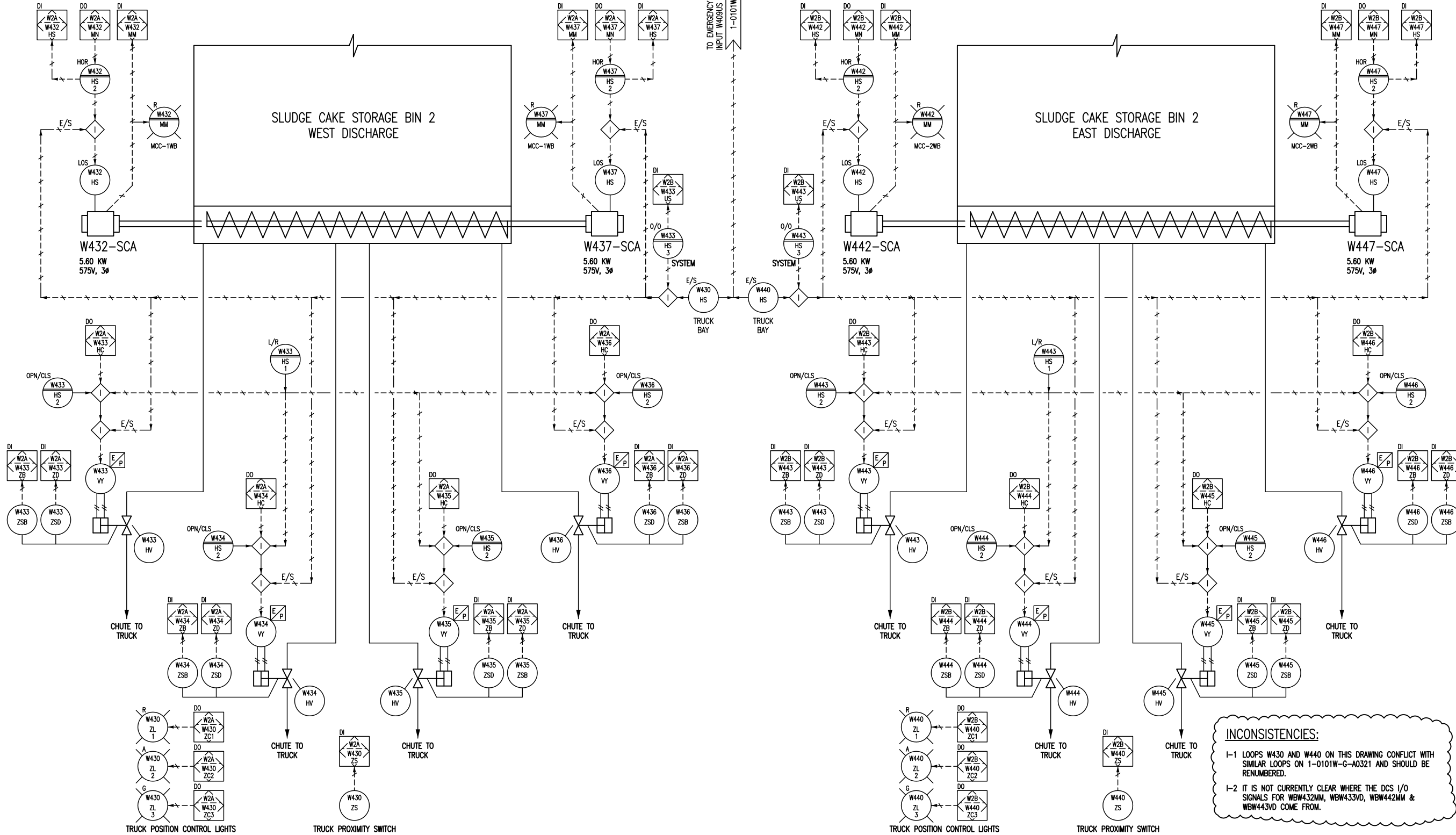
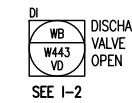
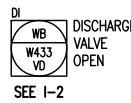
ENGINEER'S SEAL

THE CITY OF WINNIPEG
 WATER AND WASTE DEPARTMENT

NORTH END WATER POLLUTION CONTROL CENTRE
 DEWATERING
 PROCESS & INSTRUMENTATION DIAGRAM
 SLUDGE CAKE STORAGE BIN 1 LOADOUT

CITY DRAWING NUMBER: 1-0101W-A0323
 SHEET: 001
 REV: 03
 SIZE: D

1-0101A-A0001	PROCESS AND INSTRUMENT DIAGRAMS LEGEND AND DETAILS
DRAWING NUMBER	REFERENCE DRAWINGS

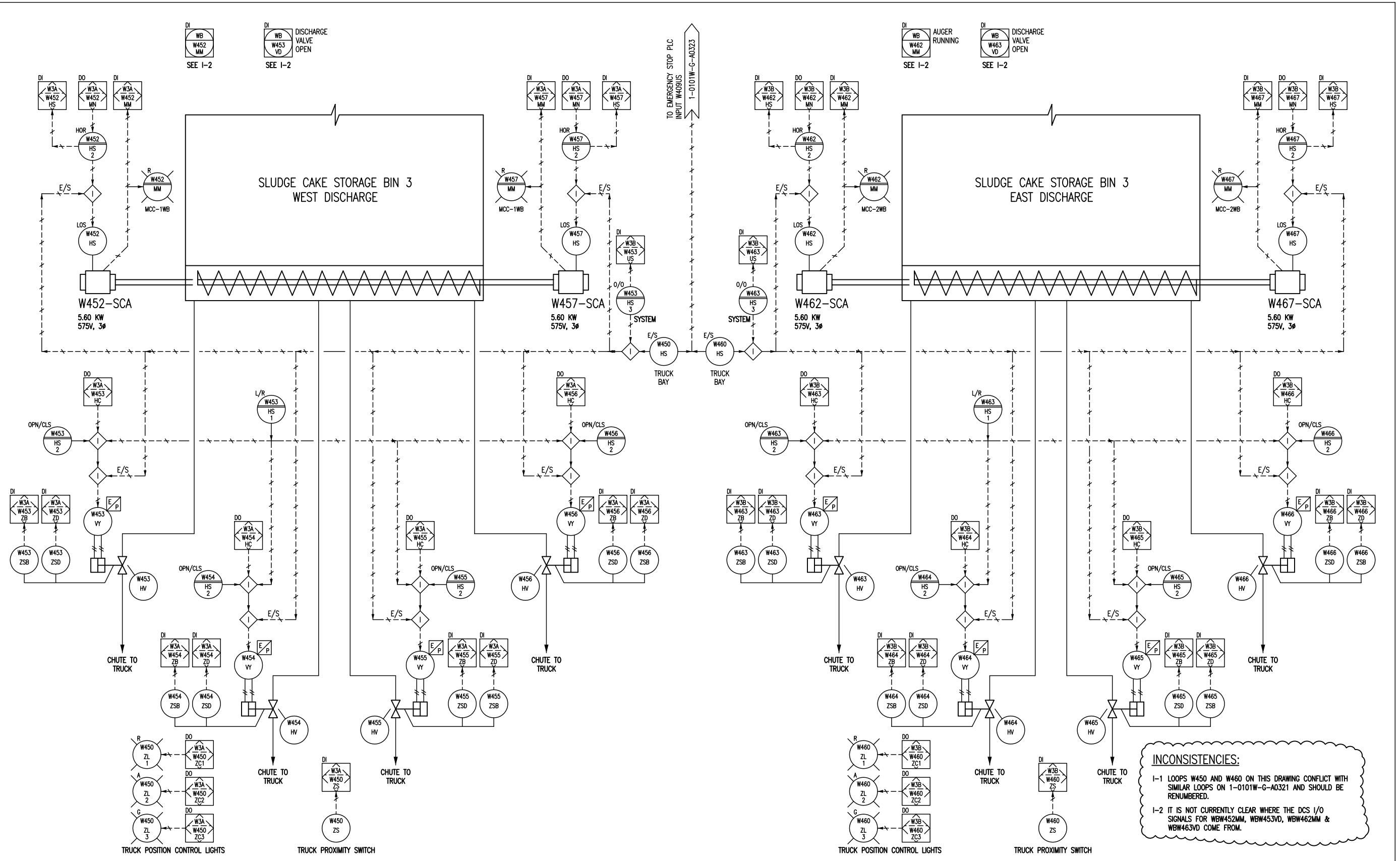


INCONSISTENCIES:
 I-1 LOOPS W430 AND W440 ON THIS DRAWING CONFLICT WITH SIMILAR LOOPS ON 1-0101W-G-A0321 AND SHOULD BE RENUMBERED.
 I-2 IT IS NOT CURRENTLY CLEAR WHERE THE DCS I/O SIGNALS FOR WBW432MM, WBW433VD, WBW442MM & WBW443VD COME FROM.

- NOTES:**
- THE PLC IDENTIFIERS USED ARE TEMPORARY, AND SHOULD BE UPDATED WHEN APPROVED IDENTIFIERS ARE DESIGNATED.
 - ALL INSTRUMENTS SHOWN IN A AUXILIARY LOCATION ARE IN THE CORRESPONDING LOCAL CONTROL PANEL, UNLESS OTHERWISE NOTED.

B.M. ELEV.		FIELD BOOK #:		SNC-LAVALIN Engineers & Constructors		SNC-LAVALIN 200-1600 Main Avenue Winnipeg, Manitoba Canada R3J 3H7		ENGINEER'S SEAL		
POSTED TO LBS				DESIGNED BY	EXISTING	CHECKED BY	CJR	THE CITY OF WINNIPEG WATER AND WASTE DEPARTMENT NORTH END WATER POLLUTION CONTROL CENTRE DEWATERING PROCESS & INSTRUMENTATION DIAGRAM SLUDGE CAKE STORAGE BIN 2 LOADOUT CITY DRAWING NUMBER 1-0101W-A0324		
				DRAWN BY	DAS/CJR	APPROVED BY	EMR			
03	DWG WAS 1-0101W-G-A0324	2010/12/06	SW	HOR. SCALE	NTS	RELEASED FOR CONSTRUCTION				
02	RENUMBERED FACILITY CODE	2005/10/06	CJR	VERTICAL						
01	ISSUED FOR C.O.W. USE	2005/09/15	CJR	DATE	2005/08/12	DATE				
NO. REVISIONS		DATE	BY	FILENAME:	1-0101W-A0324-001-03.dwg			SHEET	REV.	SIZE
								001	02	D

1-0101A-A0001	PROCESS AND INSTRUMENT DIAGRAMS LEGEND AND DETAILS
DRAWING NUMBER	REFERENCE DRAWINGS



INCONSISTENCIES:
 I-1 LOOPS W450 AND W460 ON THIS DRAWING CONFLICT WITH SIMILAR LOOPS ON 1-0101W-G-A0321 AND SHOULD BE RENUMBERED.
 I-2 IT IS NOT CURRENTLY CLEAR WHERE THE DCS I/O SIGNALS FOR WBW452MM, WBW453VD, WBW462MM & WBW463VD COME FROM.

- NOTES:**
- THE PLC IDENTIFIERS USED ARE TEMPORARY, AND SHOULD BE UPDATED WHEN APPROVED IDENTIFIERS ARE DESIGNATED.
 - ALL INSTRUMENTS SHOWN IN A AUXILIARY LOCATION ARE IN THE CORRESPONDING LOCAL CONTROL PANEL, UNLESS OTHERWISE NOTED.

B.M. ELEV.	FIELD BOOK #:	SNC-LAVALIN Engineers & Constructors		SNC-LAVALIN 200-1600 Main Avenue Winnipeg, Manitoba Canada R3J 3H7	
POSTED TO LBS		DESIGNED BY	EXISTING	CHECKED BY	CJR
		DRAWN BY	DAS/CJR	APPROVED BY	EMR
03 DWG WAS 1-0101W-G-A0325	2010/12/06	SW		RELEASED FOR CONSTRUCTION	
02 RENUMBERED FACILITY CODE	2005/10/06	CJR			
01 ISSUED FOR C.O.W. USE	2005/09/15	CJR			
00 RELEASED FOR CUSTOMER REVIEW	2005/08/22	CJR		DATE	2005/08/12
NO. REVISIONS	DATE	BY	FILENAME: 1-0101W-A0325-001-03.dwg		

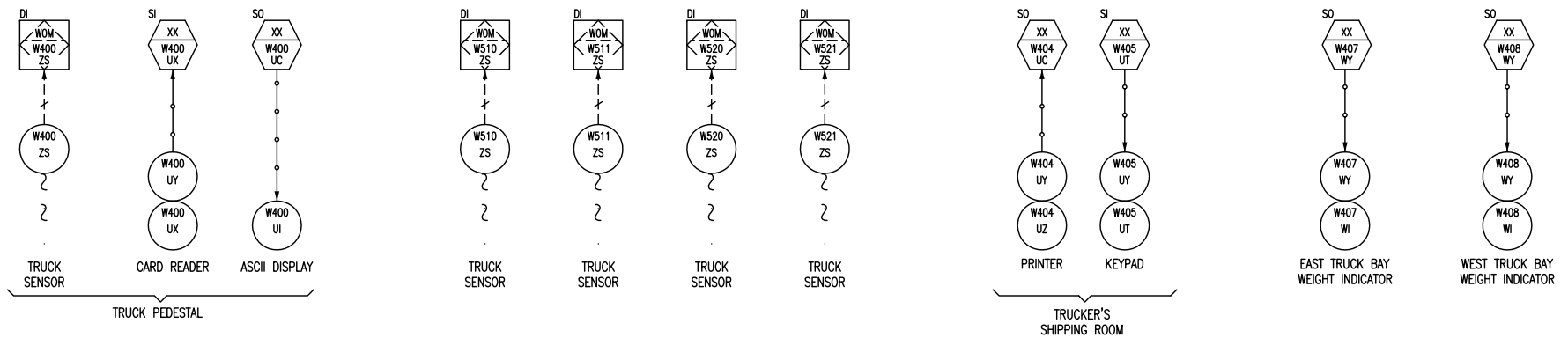
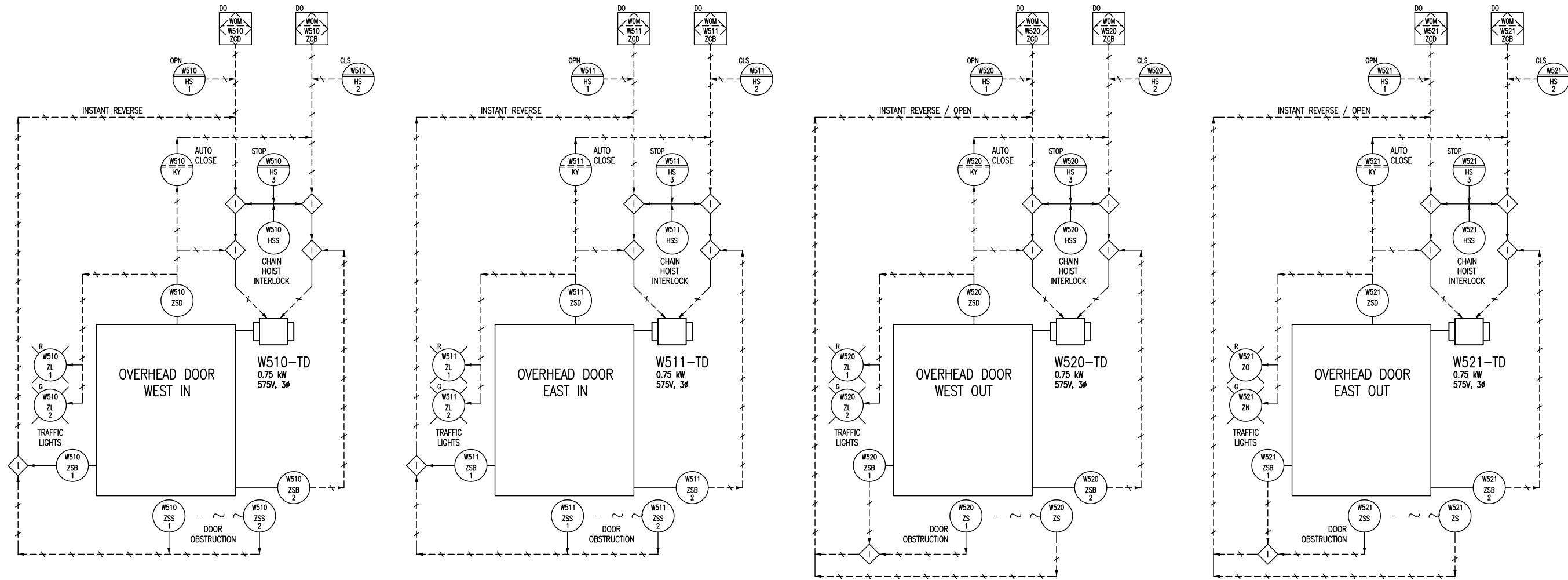
1-0101A-A0001	PROCESS AND INSTRUMENT DIAGRAMS LEGEND AND DETAILS
DRAWING NUMBER	REFERENCE DRAWINGS

THE CITY OF WINNIPEG
 WATER AND WASTE DEPARTMENT

Winnipeg

NORTH END WATER POLLUTION CONTROL CENTRE
 DEWATERING
 PROCESS & INSTRUMENTATION DIAGRAM
 SLUDGE CAKE STORAGE BIN 3 LOADOUT

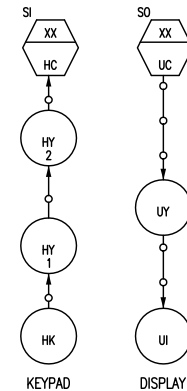
CITY DRAWING NUMBER: 1-0101W-A0325
 SHEET: 001
 REV: 03
 SIZE: D



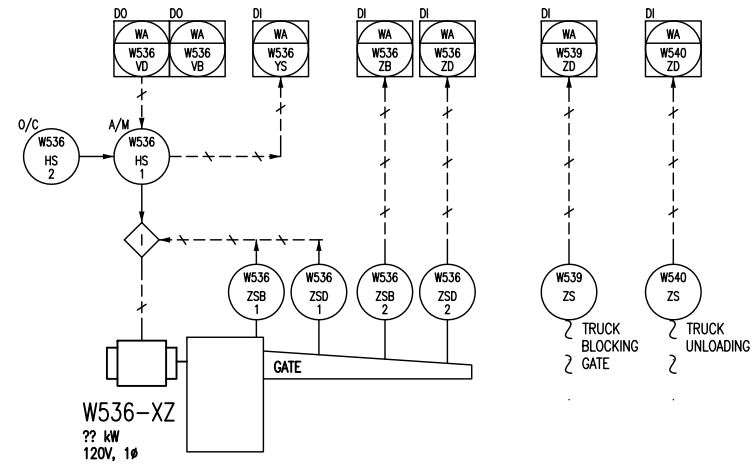
- NOTES:**
1. THE PLC IDENTIFIERS USED ARE TEMPORARY, AND SHOULD BE UPDATED WHEN APPROVED IDENTIFIERS ARE DESIGNATED.
 2. ALL INSTRUMENTS SHOWN IN AN AUXILIARY LOCATION ARE IN THE CORRESPONDING LOCAL CONTROL PANEL, UNLESS OTHERWISE NOTED.

1-0101A-A0001	PROCESS AND INSTRUMENT DIAGRAMS LEGEND AND DETAILS
DRAWING NUMBER	REFERENCE DRAWINGS

B.M. ELEV.	FIELD BOOK #:	SNC-LAVALIN Engineers & Constructors		SNC-LAVALIN 200-1600 Main Avenue Winnipeg, Manitoba Canada R3J 3M7		ENGINEER'S SEAL		
POSTED TO LBIS		DESIGNED BY	EXISTING	CHECKED BY	CJR	THE CITY OF WINNIPEG WATER AND WASTE DEPARTMENT NORTH END WATER POLLUTION CONTROL CENTRE DEWATERING PROCESS & INSTRUMENTATION DIAGRAM SLUDGE CAKE LOADOUT OVERHEAD DOORS CITY DRAWING NUMBER 1-0101W-A0326		
		DRAWN BY	CJR	APPROVED BY	EMR			
03 DWG No WAS 1-0101W-G-A0326	2010/12/06	SW		RELEASED FOR CONSTRUCTION				
02 RENUMBERED FACILITY CODE	2005/10/06	CJR						
01 ISSUED FOR C.O.W. USE	2005/09/15	CJR				SHEET	REV.	SIZE
00 RELEASED FOR CUSTOMER REVIEW	2005/08/22	CJR		DATE	2004/12/14	001	03	D
NO. REVISIONS	DATE	BY	FILENAME: 1-0101W-A0326-001-03.dwg					

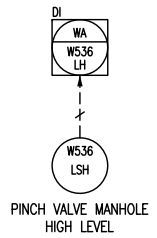
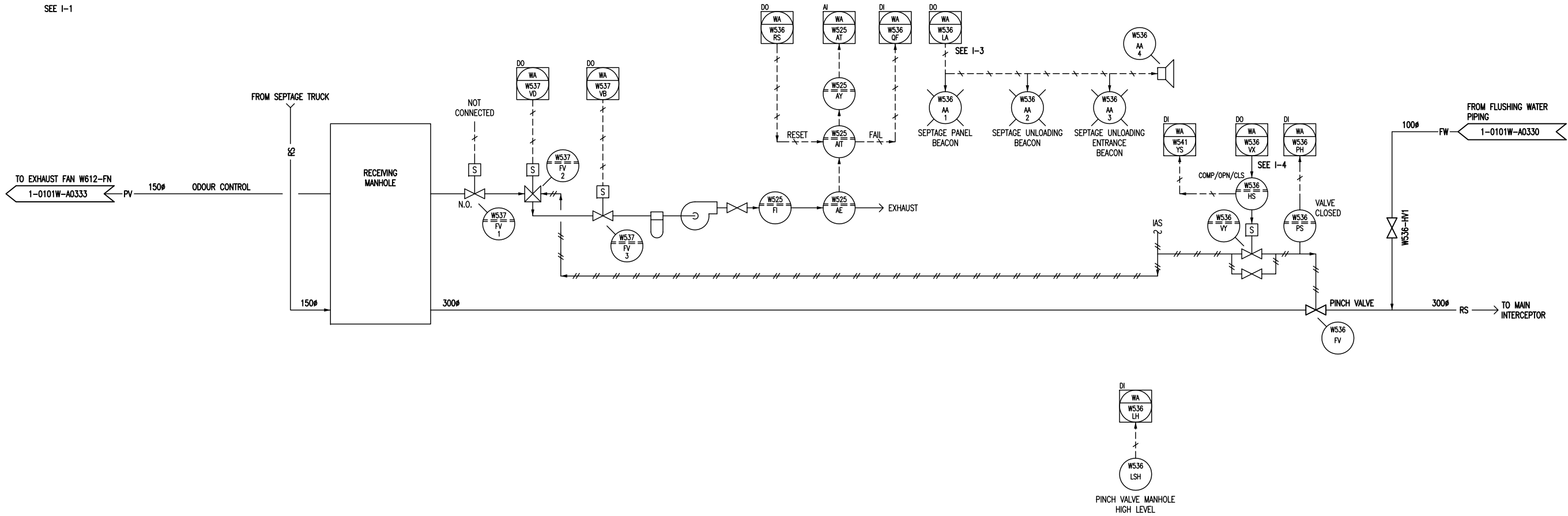


SEE I-1



INCONSISTENCIES:

- I-1 THE KEYPAD AND ASCII DISPLAY LOOPS DO NOT CURRENTLY HAVE LOOP NUMBERS ASSIGNED.
- I-2 THE LOOP NUMBERS ON THIS DRAWING ARE NOT CONSISTENT AND REQUIRE RENUMBERING.
- I-3 DCS OUTPUT WAW536LA SHOULD BE DESIGNATED AS WAW536AA.
- I-4 DCS OUTPUT WAW536VX SHOULD BE DESIGNATED AS WAW536VB.



NOTES:

- ALL INSTRUMENTS SHOWN IN AN AUXILIARY LOCATION ARE IN THE CORRESPONDING LOCAL CONTROL PANEL, UNLESS OTHERWISE NOTED.

1-0101A-A0001	PROCESS AND INSTRUMENT DIAGRAMS LEGEND AND DETAILS
DRAWING NUMBER	REFERENCE DRAWINGS

B.M. ELEV.	FIELD BOOK #:	SNC-LAVALIN Engineers & Constructors		SNC-LAVALIN 200-1600 Main Avenue Winnipeg, Manitoba Canada R3J 3H7	
POSTED TO LBS		DESIGNED BY	EXISTING	CHECKED BY	CJR
		DRAWN BY	CJR	APPROVED BY	EMR
03	DRAWING No. WAS 1-0101W-G-A0327-001	2010/12/03	SW		
02	RENUMBERED FACILITY CODE	2005/10/06	CJR		
01	ISSUED FOR C.O.W. USE	2005/09/15	CJR		
00	RELEASED FOR CUSTOMER REVIEW	2005/08/22	CJR	DATE	2004/12/14
NO. REVISIONS	DATE	BY	FILENAME: 1-0101W-A0327-001-03.dwg		

ENGINEER'S SEAL

THE CITY OF WINNIPEG
WATER AND WASTE DEPARTMENT

NORTH END WATER POLLUTION CONTROL CENTRE
DEWATERING
PROCESS & INSTRUMENTATION DIAGRAM
LIQUID WASTE DISPOSAL SYSTEM

CITY DRAWING NUMBER	SHEET	REV.	SIZE
1-0101W-A0327	001	03	D