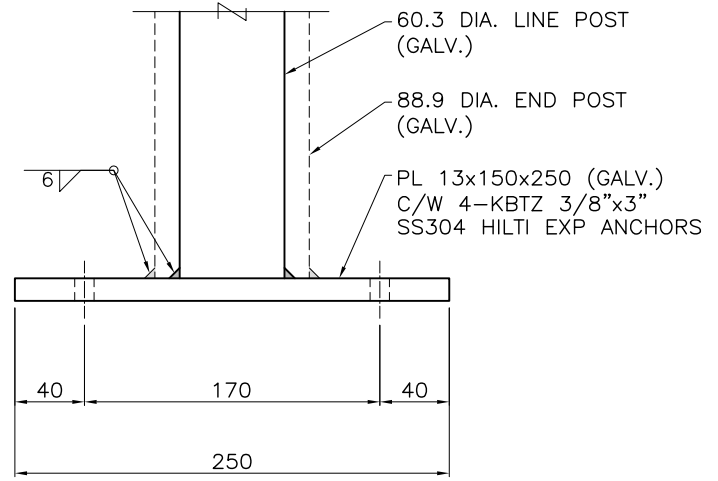
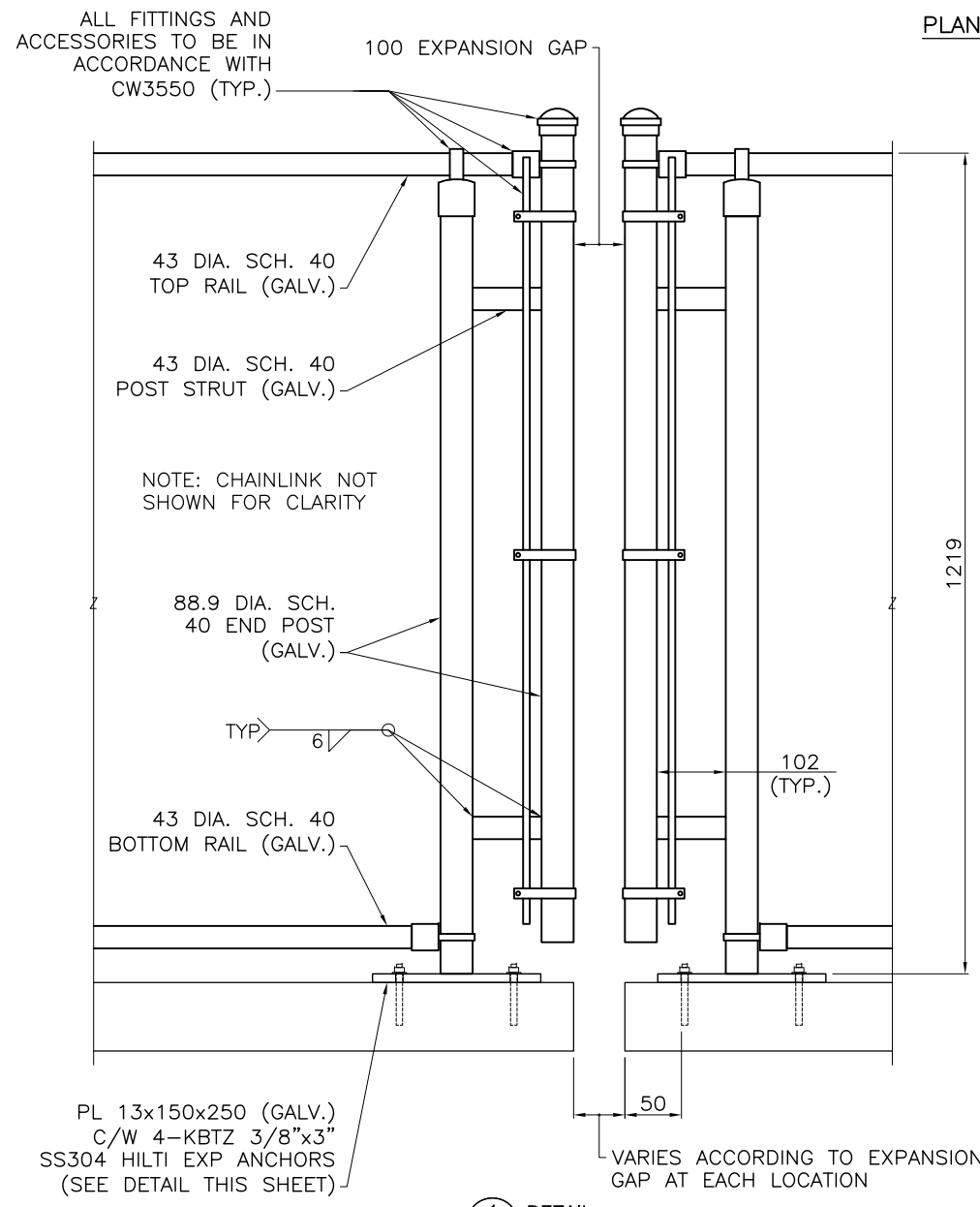


PLAN

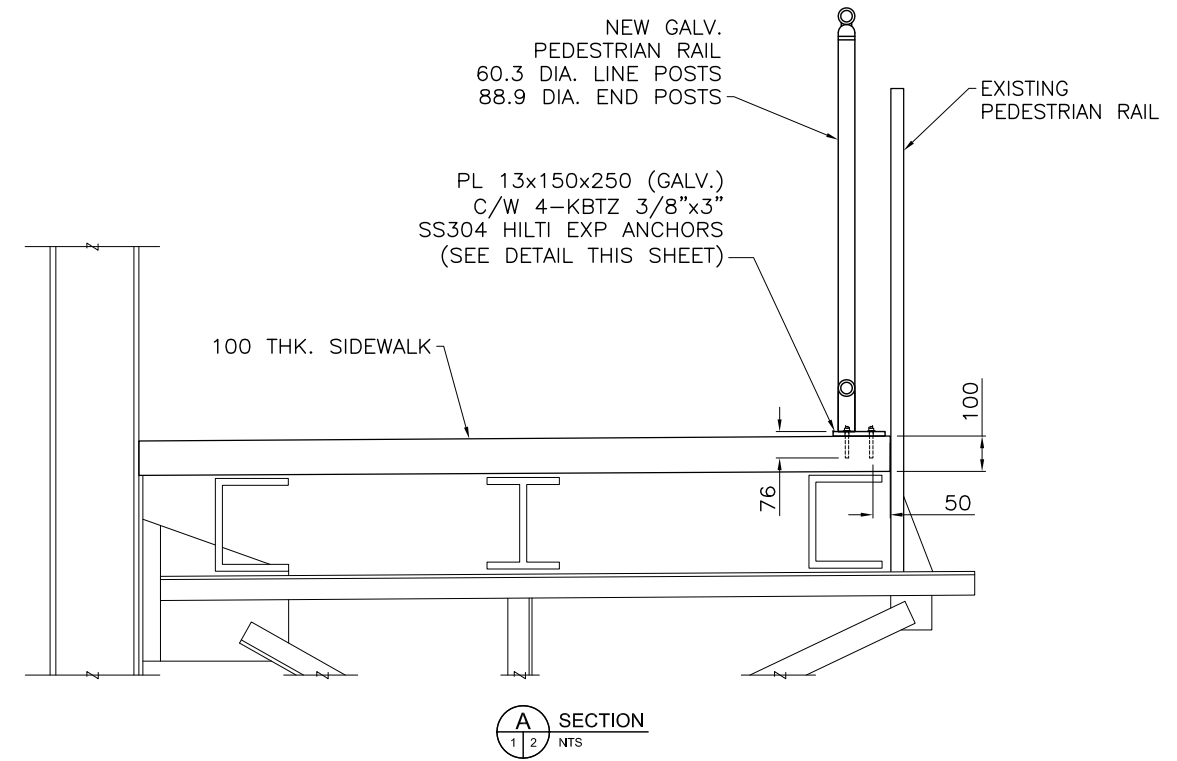


ELEVATION

BASE PLATE DETAIL
NTS



1
1 2
DETAIL
NTS



NOTE:

| B.M. ELEV. | DESIGNED BY: | D.M. |
|------------|-------------------|-----------------|
| | DRAWN BY: | J.G.W. |
| | CHECKED BY: | D.M. |
| | APPROVED BY: | B.A.N. |
| | AUTHORIZED BY: | |
| 0 | ISSUED FOR TENDER | 03/27/15 J.G.W. |
| NO. | REVISION | DATE BY |

| |
|----------------------------------|
| ENGINEER'S SEAL |
| PROVINCE OF MANITOBA |
| D.E. MUHURDAREVIC |
| Member 31027 |
| REGISTERED PROFESSIONAL ENGINEER |
| BID OPPORTUNITY NO.: 350-2015 |

CITY OF WINNIPEG
PUBLIC WORKS DEPARTMENT
ENGINEERING DIVISION

LOUISE BRIDGE:
SUPPLY AND INSTALLATION OF
SIDEWALK CHAIN LINK FENCE

MISCELLANEOUS DETAILS

SHEET 2 OF 2
HORIZONTAL: N.T.S.
VERTICAL: N.T.S.
CITY DRAWING NUMBER:
B107-15-02

METRIC
WHOLE NUMBERS INDICATE MILLIMETRES
DECIMALIZED NUMBERS INDICATE METRES