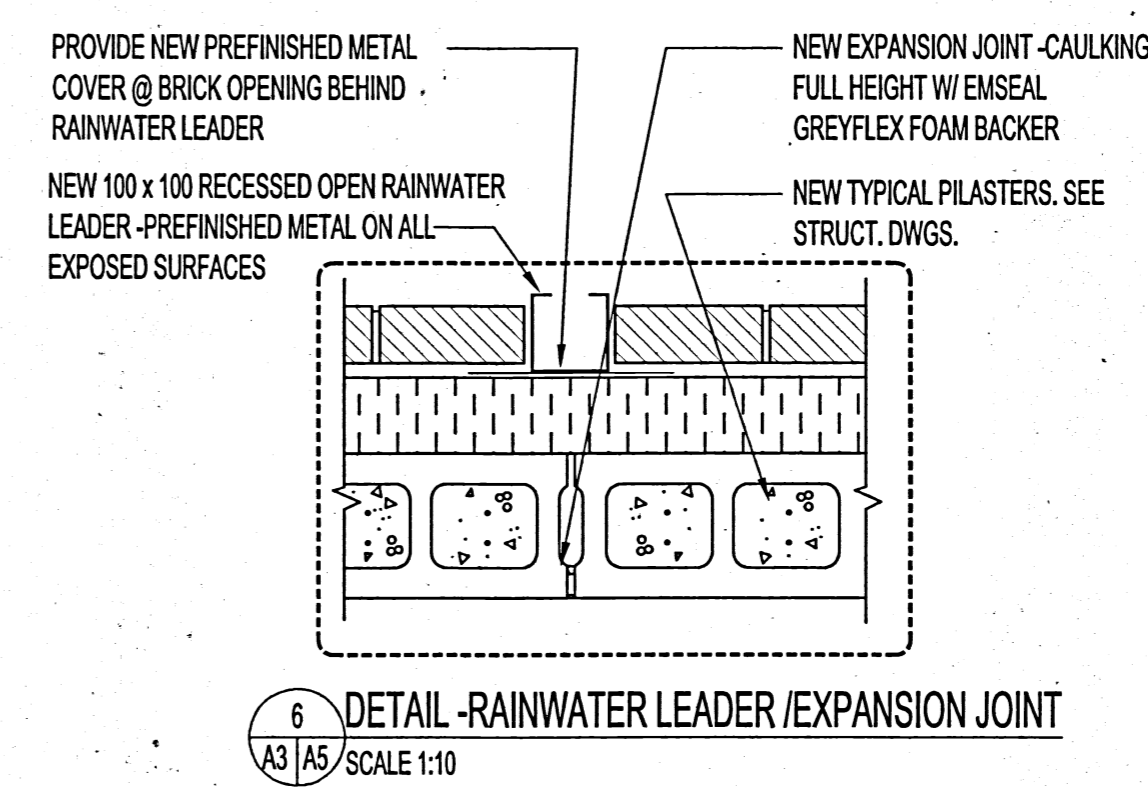
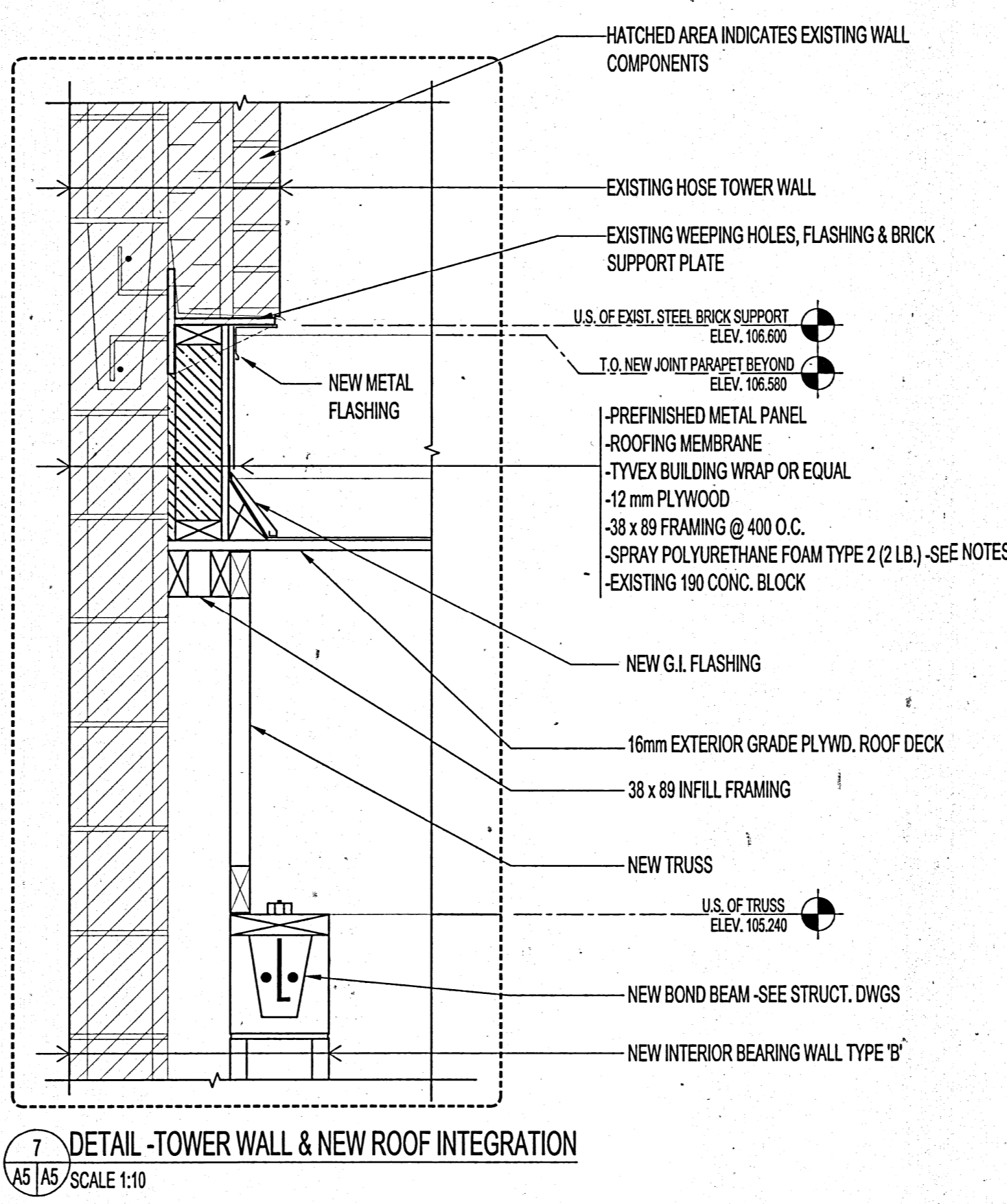
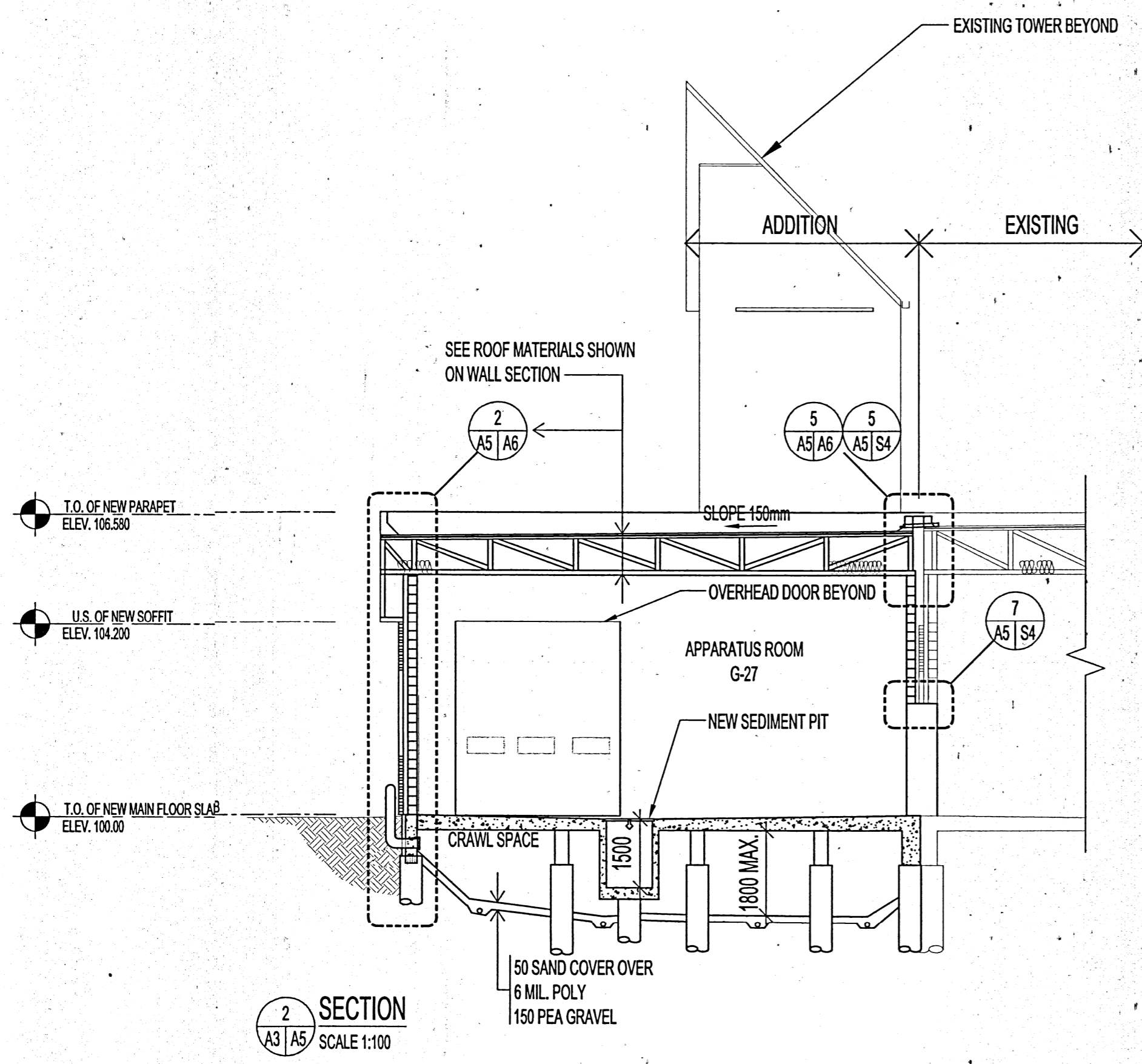
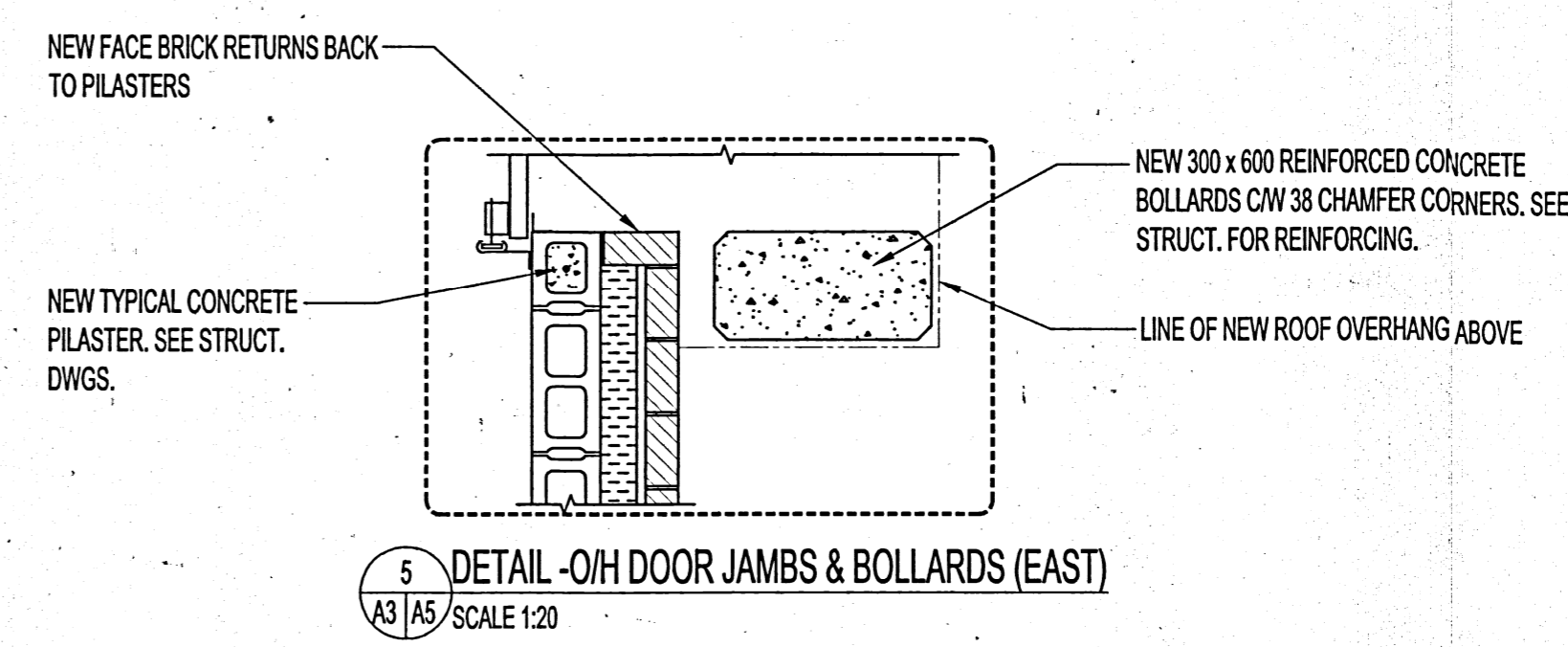
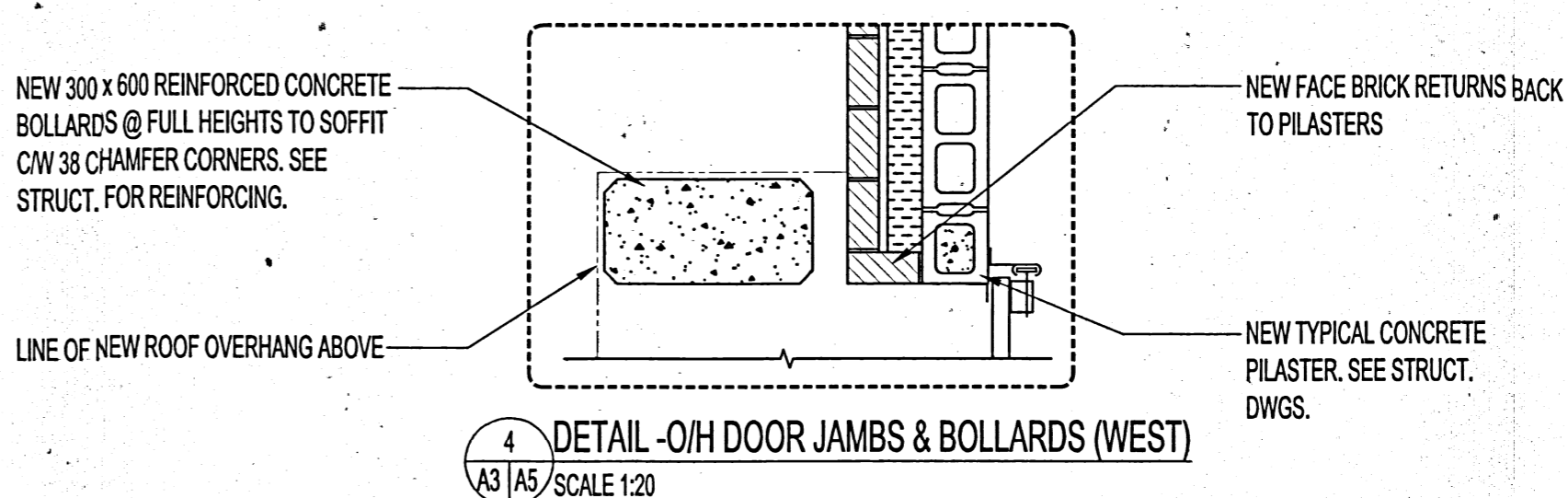
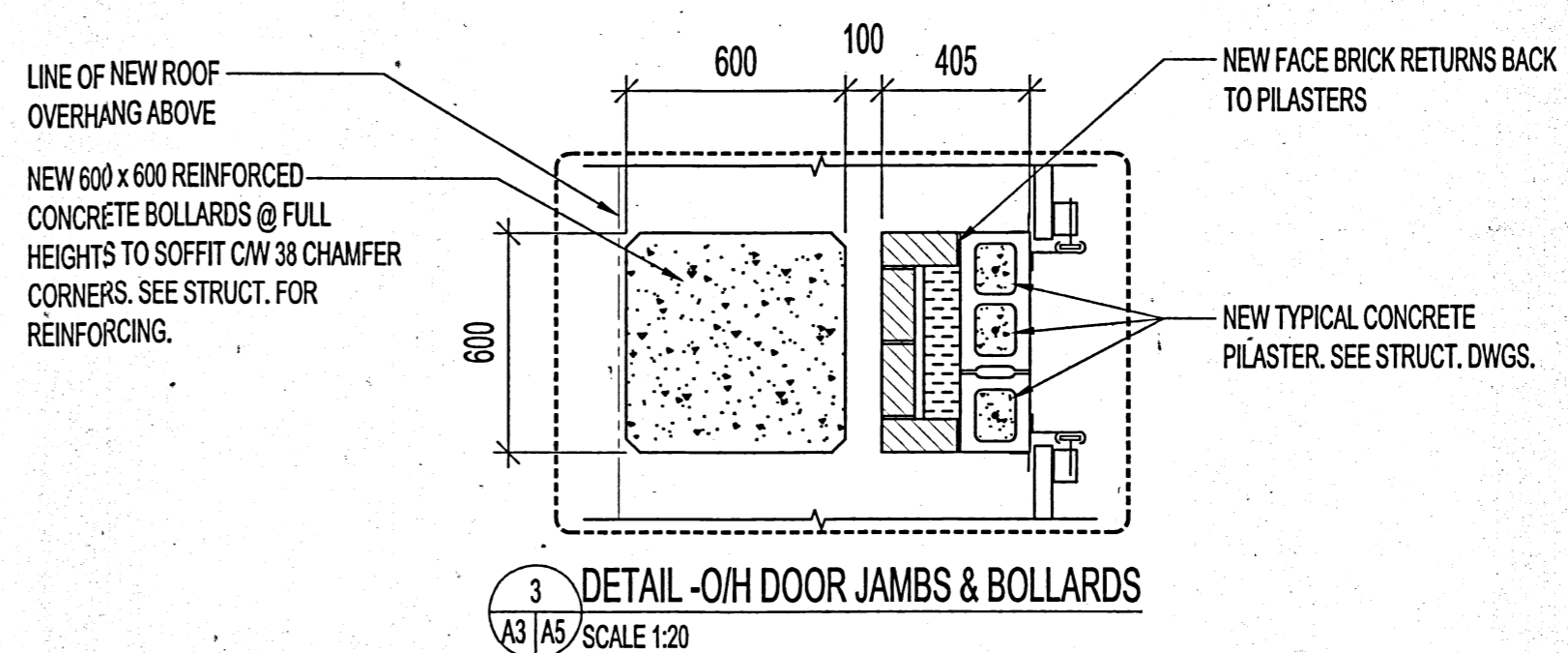
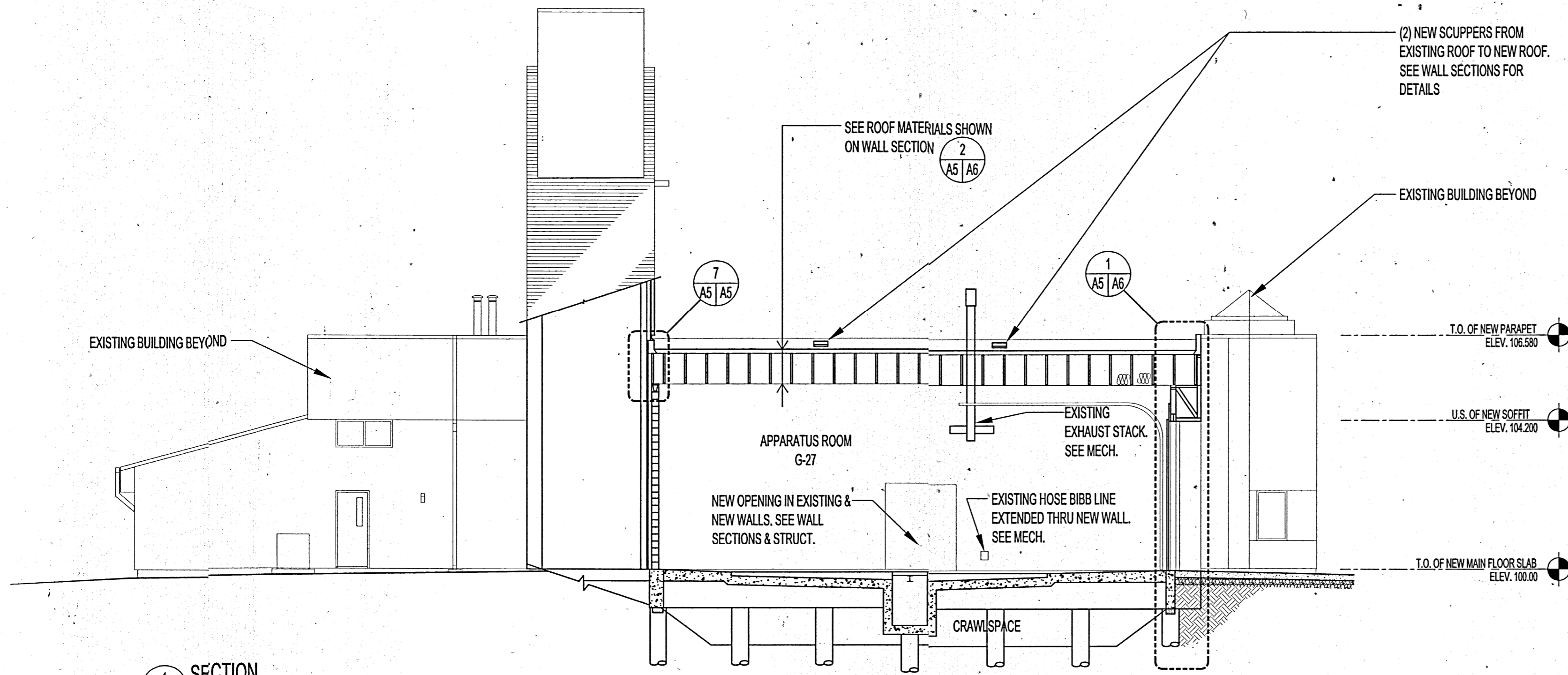


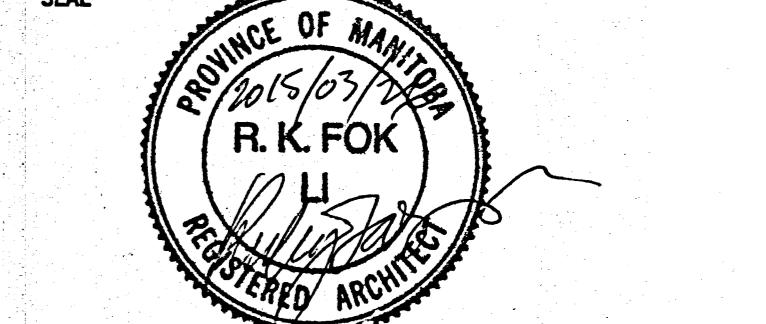
NOTES:

- SPRAY FOAM INSULATION
- SPRAY POLYURETHANE FOAM TYPE 2 (2 LB.)
- CCMC CERTIFIED FOAM & CONFORMS TO THE CANADIAN STANDARDS OF CAN/ULCS 705.1 & CAN/ULCS 705.2



ISSUED FOR CONSTRUCTION MMK 2015.03.26

No.	REVISION/DESCRIPTION	BY	DATE



DRAWN	CHECKED	DESIGNED	APPROVED
MMK			
DATE 2015.02.09	USER APPROVAL		

THE CITY OF WINNIPEG  
PLANNING, PROPERTY AND  
DEVELOPMENT DEPARTMENT  
MUNICIPAL ACCOMMODATIONS DIVISION  
3-65 GARRY STREET, R3C 4K4

PROJECT  
WINNIPEG FIRE PARAMEDIC SERVICES  
ADDITIONAL APPARATUS ROOM BAYS

603 REDWOOD AVENUE  
SHEET TITLE  
BUILDING SECTIONS  
WALL DETAILS

SCALE	PROJECT No.	SHEET No.
AS SHOWN	2013-171-02	A5