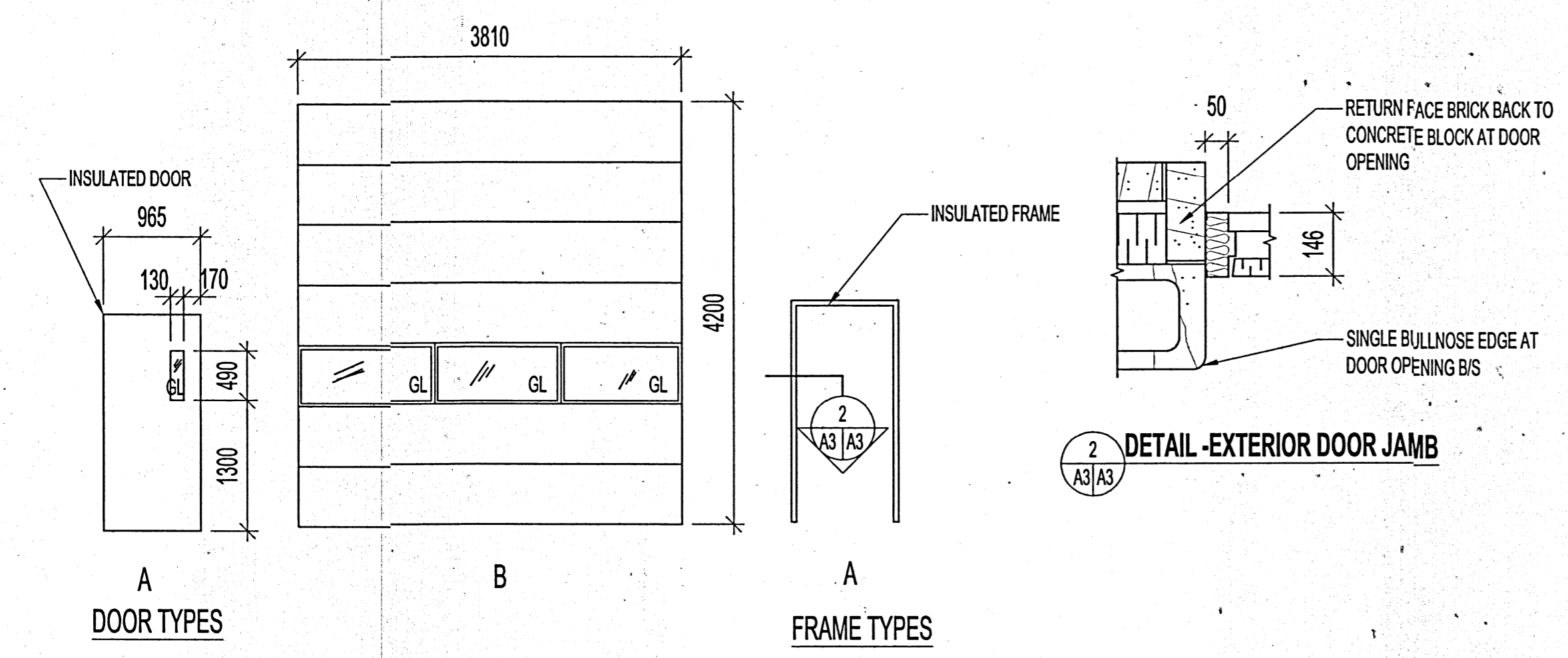


**NOTES:**

FLOOR ACCESS DOOR  
SUPPLY & INSTALL NEW ACCESS DOOR UNIT BY THE BILCO COMPANY -LOCAL REP IS JASON ARMSTRONG OF SHAWANAWAY OF WINNIPEG.  
ACCESS DOOR TO BE BILCO J-AL. OPENING TO BE A 762 x 762 COVER CW 6mm ALUMINUM DIAMOND PATTERN & 200 x 200 CLOSE MESH GRATING IN CENTER OF COVER. CHANNEL FRAME TO BE EXTRUDED ALUMINUM. ALL OTHER HARDWARE & COMPONENTS TO BE NON CORROSIVE STAINLESS STEEL TYPE 316. FACTORY FINISH SHALL BE MILL FINISH ALUMINUM W/ BITUMINOUS COATING APPLIED TO THE EXTERIOR OF THE FRAME. ALL COMPONENTS TO FOLLOW MANUFACTURER'S SPECIFICATIONS. PROVIDE SHOP DRAWINGS FOR REVIEW.



DOOR SCHEDULE										
DOOR NO.	DOOR			FRAME			RATING	HARDWARE	NOTES	
	TYPE	WIDTH	HEIGHT	MATERIAL	FINISH	TYPE				MATERIAL
G-D27A	A	965 x 2150	45	H.M.	PT.	A	P.S.	PT.	3 HINGES CB191 114 X 101 NRP 26D CST 1 EXIT DEVICE LD98NL-OP x 110MD-NL US26D CVO 1 RIM CYLINDER 20-021 50-210-MK 626 CSC 1 ELECTRIC STRIKE 6111 24VDC FSE US32D CVO 1 DOOR PULL 1180-2 305 C.C. #2 C32D CGA 1 CLOSER 4040 XP EDA 689 CLC 1 KICKPLATE GSH 80A 250 x 940 C32D CGA 1 KICKPLATE GSH 80A 250 x 925 C32D CGA 1 OVERHEAD STOP 104S US32D CGL 1 WEATHERSTRIP W-20S 965 CA CKN 2 WEATHERSTRIP W-50S 2150 CA CKN 1 DOOR SWEEP W-13S 965 CA CKN 1 THRESHOLD CT-11-965 AL CKN	FILL DOOR & FRAME W/ INSULATION
G-D27B	B	3810 x 4200	50	G.M.	PF.	WD.	PT.	---	MISC. OH DOOR HARDWARE BY DOOR SUPPLIER OH DOOR OPERATORS - SUPPLY & INSTALL LIFT MASTER GH GEAR HOIST OPERATOR, 3/4 HP, 115 VOLTS, 1 PHASE, 60 HERTZ CW KEYPAD; WIRELESS KEYLESS ENTRY SYSTEM 877MAX.	INSULATED METAL
G-D27C	B	3810 x 4200	50	G.M.	PF.	WD.	PT.	---	MISC. OH DOOR HARDWARE BY DOOR SUPPLIER OH DOOR OPERATORS - SUPPLY & INSTALL LIFT MASTER GH GEAR HOIST OPERATOR, 3/4 HP, 115 VOLTS, 1 PHASE, 60 HERTZ -NOTE: NO KEY PAD REQUIRED.	INSULATED METAL
G-D27D	B	3810 x 4200	50	G.M.	PF.	WD.	PT.	---	MISC. OH DOOR HARDWARE BY DOOR SUPPLIER OH DOOR OPERATORS - SUPPLY & INSTALL LIFT MASTER GH GEAR HOIST OPERATOR, 3/4 HP, 115 VOLTS, 1 PHASE, 60 HERTZ CW KEYPAD; WIRELESS KEYLESS ENTRY SYSTEM 877MAX.	INSULATED METAL

ROOM FINISH SCHEDULE										
ROOM NO.	ROOM NAME	FLOOR	BASEBOARD	NORTH WALL	SOUTH WALL	EAST WALL	WEST WALL	CEILING	CEILING HEIGHT	NOTES
G-26	(EXISTING) APPARATUS ROOM	CONCRETE W/ HARDER AS REQUIRED (NEW OPENING ONLY)	---	ACRYLIC COATING AS PER SPECS (MATCH EXISTING COLOUR)	---	---	---	---	---	ACRYLIC COATING @ DOOR OPENING FOR EXISTING & NEW MASONRY & WHERE EXISTING WINDOW WAS LOCATED IN HOSE TOWER G-25.
G-27	(NEW) APPARATUS ROOM	CONCRETE W/ HARDER AS PER SPECS.	---	ACRYLIC COATING AS PER SPECS.	ACRYLIC COATING AS PER SPECS.	ACRYLIC COATING AS PER SPECS.	ACRYLIC COATING AS PER SPECS.	CEMENT BD. (PERMA BD. W/ TROWEL ACRYLIC CEMENT FINISH & PAINT FINISH)	525	---

ISSUED FOR CONSTRUCTION MMK 2015.03.26

No.	REVISION/DESCRIPTION	BY	DATE

SEAL

PROVINCE OF MANITOBA  
R.K. FOK  
REGISTERED ARCHITECT

DRAWN: MMK  
CHECKED: MMK  
DESIGNED: MMK  
APPROVED: MMK

DATE: 2015.02.09  
USER APPROVAL

THE CITY OF WINNIPEG  
PLANNING, PROPERTY AND DEVELOPMENT DEPARTMENT  
MUNICIPAL ACCOMMODATIONS DIVISION  
3-65 GARRY STREET, R3C 4K4

PROJECT  
WINNIPEG FIRE PARAMEDIC SERVICES  
ADDITIONAL APPARATUS ROOM BAYS

603 REDWOOD AVENUE  
SHEET TITLE  
MAIN FLOOR ADDITION PLAN  
DOOR TYPES & SCHEDULE,  
WALL TYPES, ROOM FINISH SCHEDULE

SCALE: AS SHOWN PROJECT No: 2013-171-02 SHEET No: A3

DRAWING SHEET SIZE: A1 (841mm x 594mm) PLOT 1:1