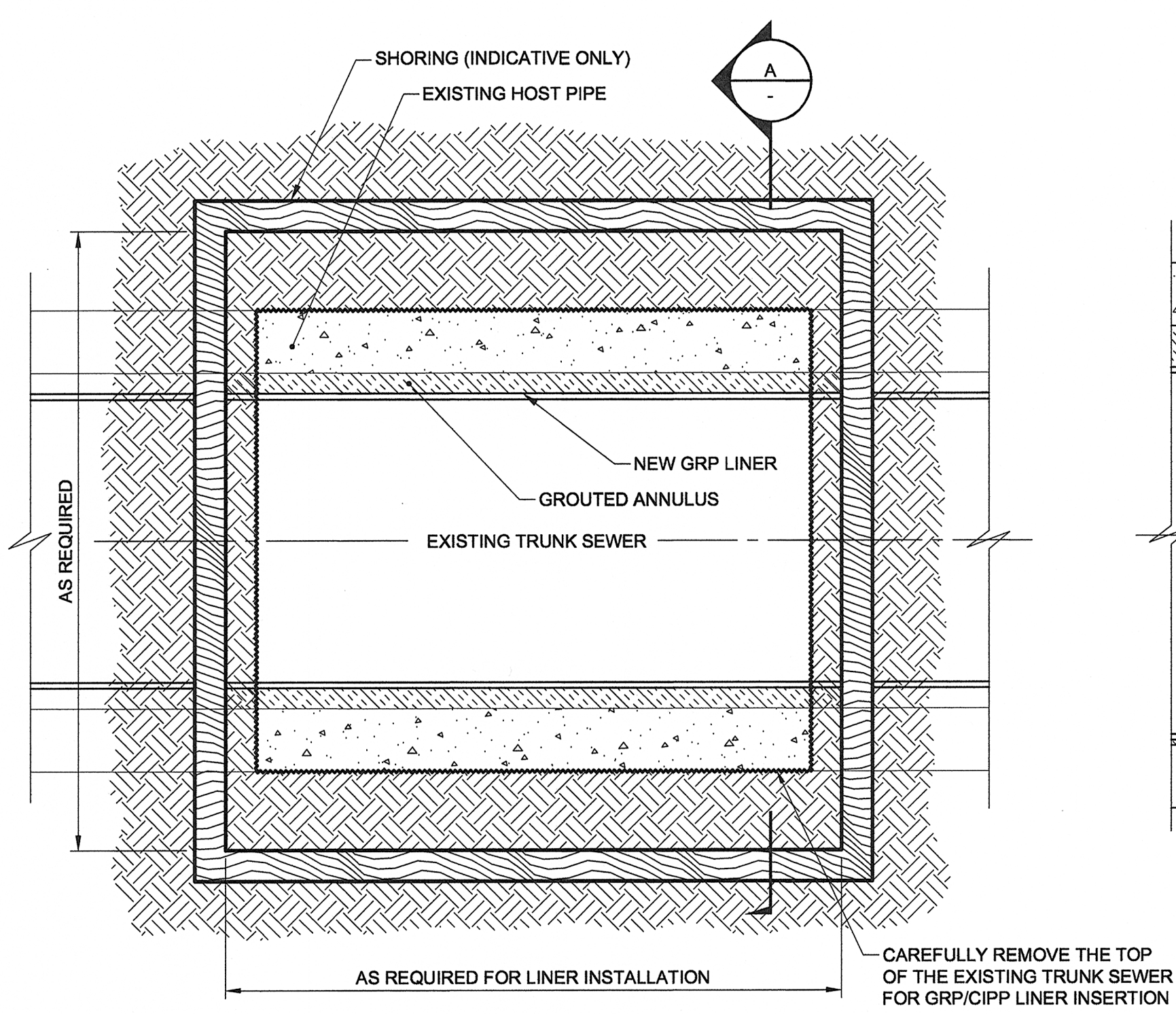


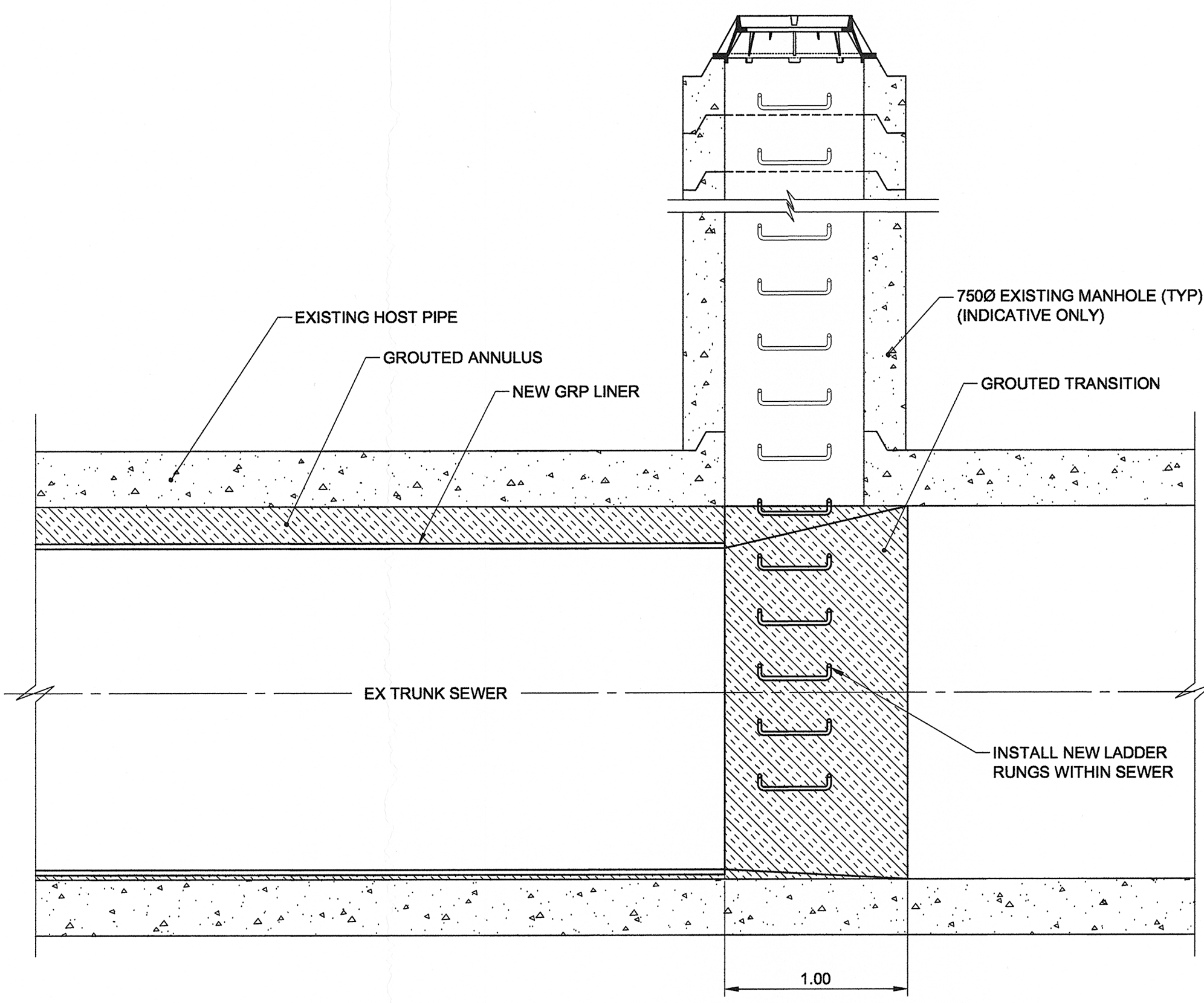
D SIZE 22" x 34" (569mm x 864mm)

PLOT: 5/7/2015 2:04:35 PM

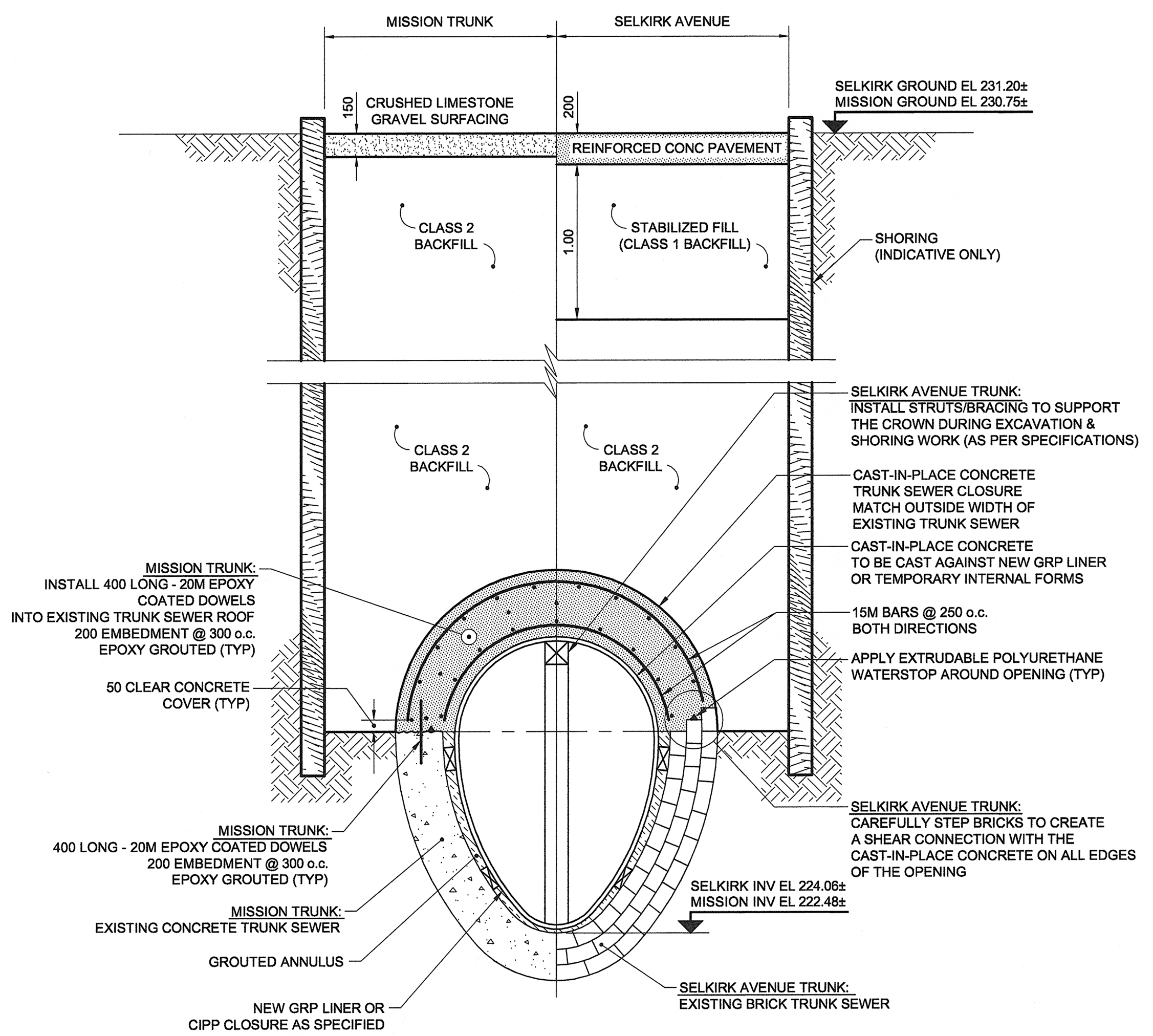
AECOM REVIEW DRAFT CHK AECOM FILE NAME: 6034560-SHT-00-0000-C-4002.dwg Saved By: [unreadable]



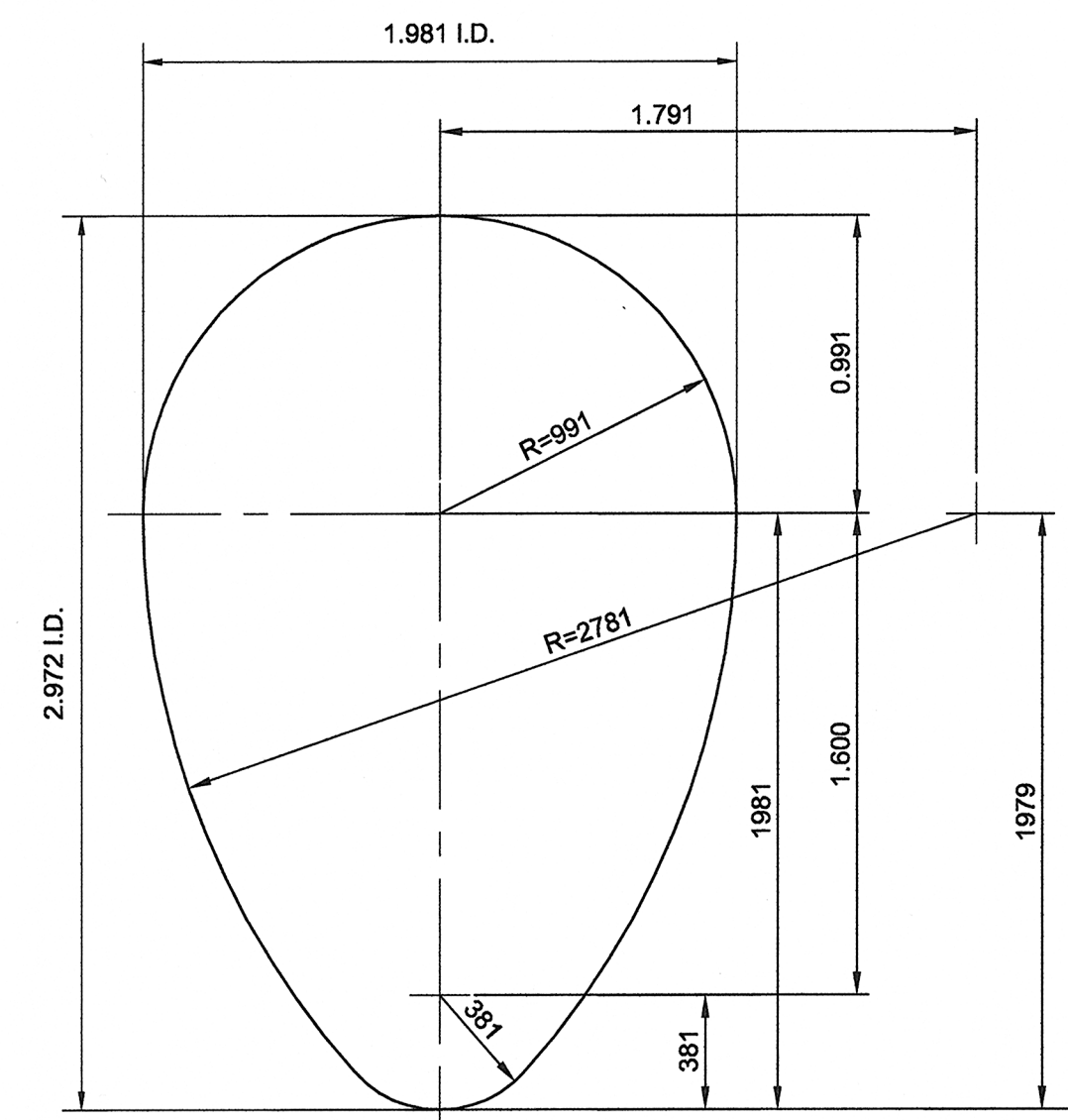
1 | TRUNK SEWER ACCESS SHAFT
(TYPICAL) Scale 1:25



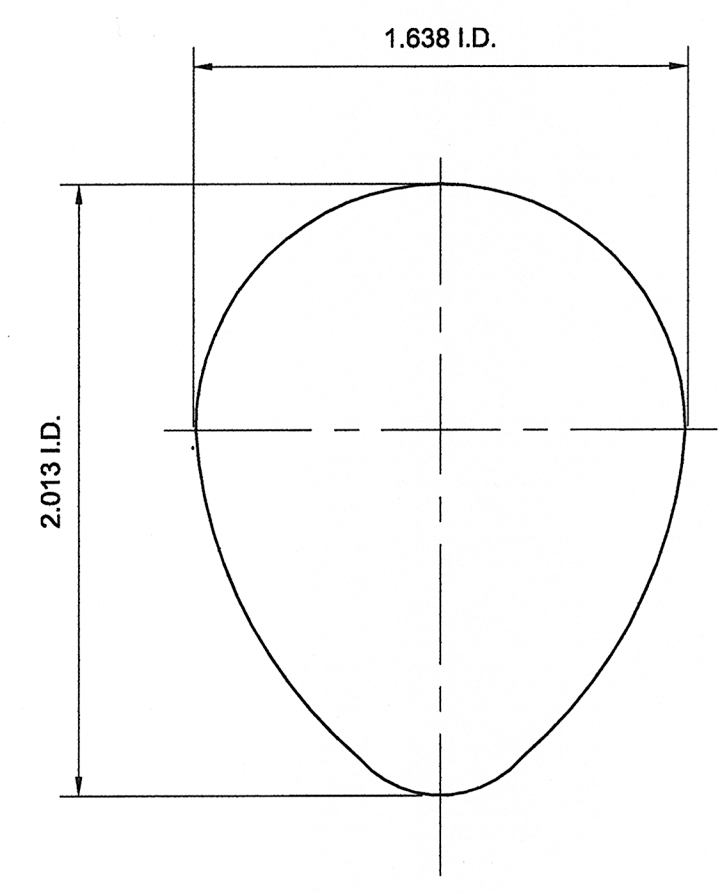
2 | GRP LINER TERMINATION AT EXISTING MANHOLES
Scale 1:25



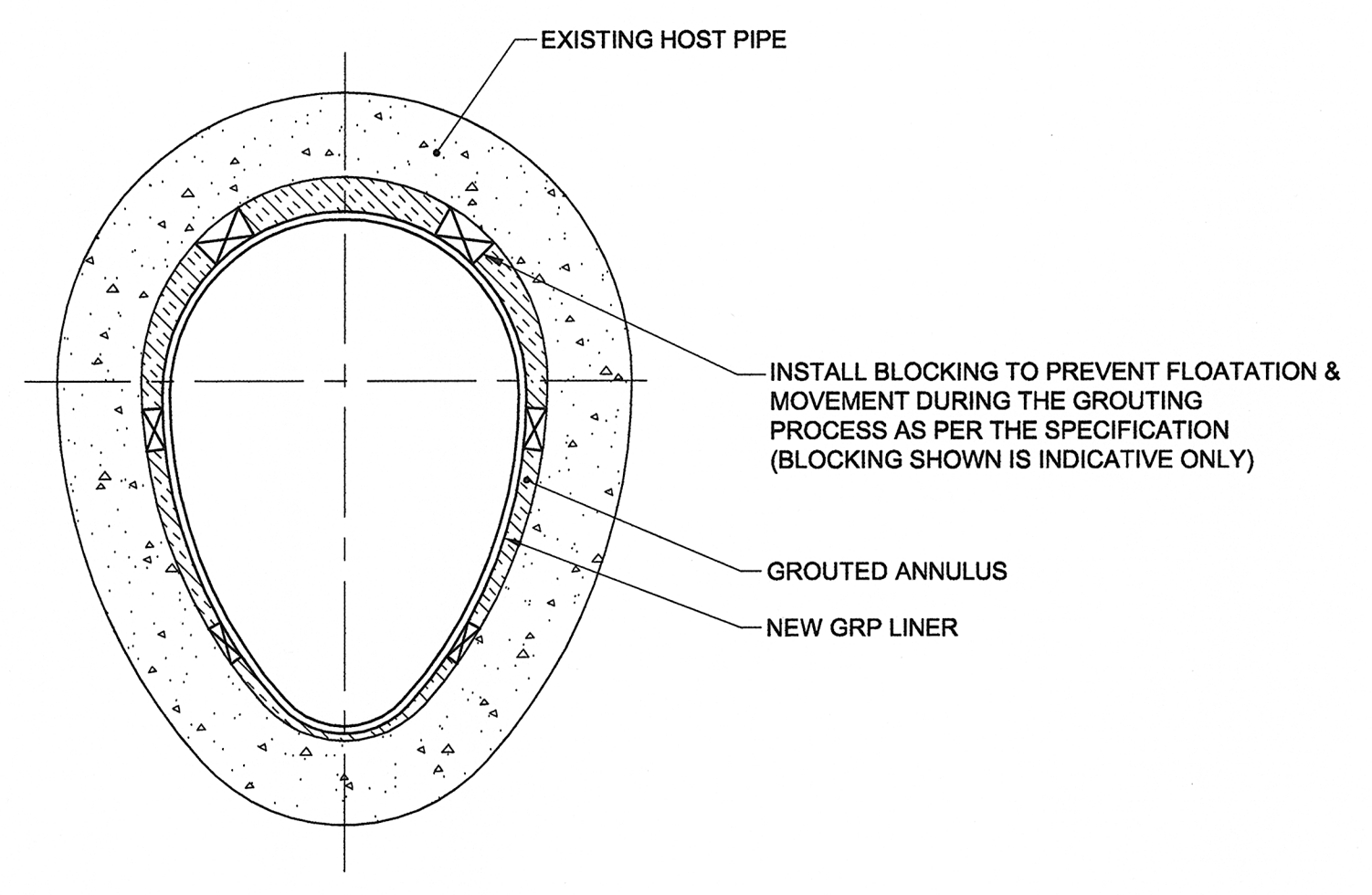
A | SECTION THRU TRUNK SEWER ACCESS SHAFT
(TYPICAL) Scale 1:25



3 | EXISTING CROSS-SECTION
MISSION TRUNK Scale 1:25



4 | EXISTING CROSS-SECTION
SELKIRK AVENUE TRUNK Scale 1:25



5 | GRP LINING - TYPICAL CROSS-SECTION
Scale 1:25

METRIC
WHOLE NUMBERS INDICATE MILLIMETRES
DECIMALIZED NUMBERS INDICATE METRES

BID OPPORTUNITY NO. 186-2015

LOCATION APPROVED
UNDERGROUND STRUCTURES

SUPR. U/G STRUCTURES DATE COMMITTEE

NOTE:
LOCATION OF UNDERGROUND STRUCTURES AS SHOWN ARE BASED ON THE BEST INFORMATION AVAILABLE. BUT NO GUARANTEE IS GIVEN THAT ALL EXISTING UTILITIES ARE SHOWN OR THAT THE GIVEN LOCATIONS ARE EXACT. CONFIRMATION OF EXISTENCE AND EXACT LOCATION OF ALL SERVICES MUST BE OBTAINED FROM THE INDIVIDUAL UTILITIES BEFORE PROCEEDING WITH CONSTRUCTION.

AECOM
Certificate of Authorization
AECOM Canada Ltd.
No. 4671 Date: *May 7/15*

| NO. | REVISIONS | YYMMDD | BY |
|-----|---------------------------|----------|-----|
| 1 | REVISED AS PER ADDENDUM 2 | 15/05/07 | WJd |
| 0 | ISSUED FOR CONSTRUCTION | 15/04/13 | WJd |

AECOM

DESIGNED BY: ADB
DRAWN BY: WJd
CHECKED BY: [Signature]
APPROVED BY: [Signature]
HOR. SCALE: 1:25
VERT. SCALE: 1:25
RELEASED FOR CONSTRUCTION: K. Zurek
DATE: Apr 13/15

PROFESSIONAL'S SEAL
PROVINCE OF MANITOBA
A.D.
BRAUN
Member
24453
REGISTERED PROFESSIONAL
CONSULTANT DRAWING NO.
6034560-SHT-00-0000-C-4002

THE CITY OF WINNIPEG
WATER AND WASTE DEPARTMENT

NON-CIRCULAR TRUNK SEWER REHABILITATION BY GRP LINING

CIVIL
MISCELLANEOUS SECTIONS & DETAILS

SHEET 4 OF 4
CITY DRAWING NUMBER
10988
REV 1