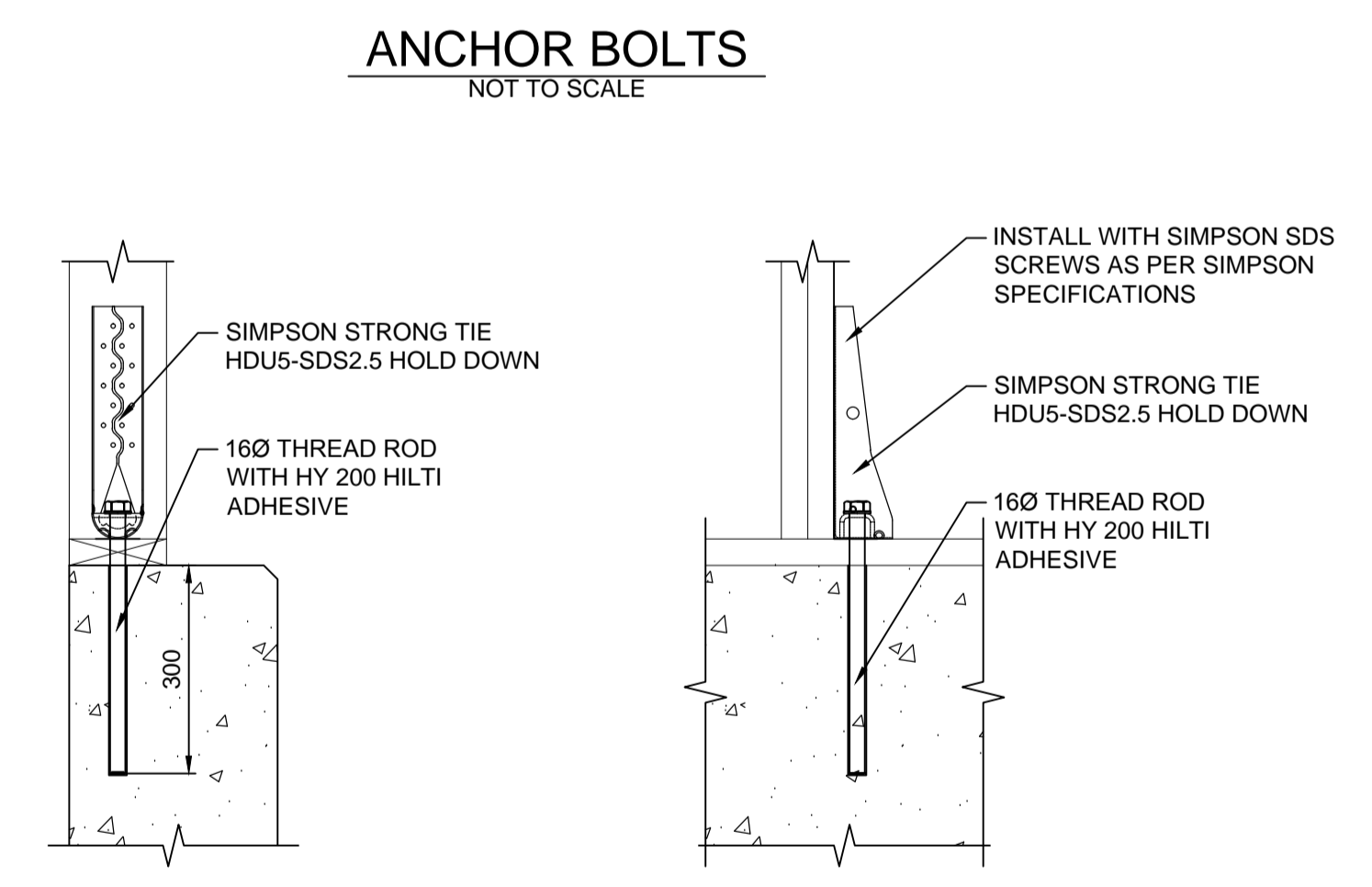
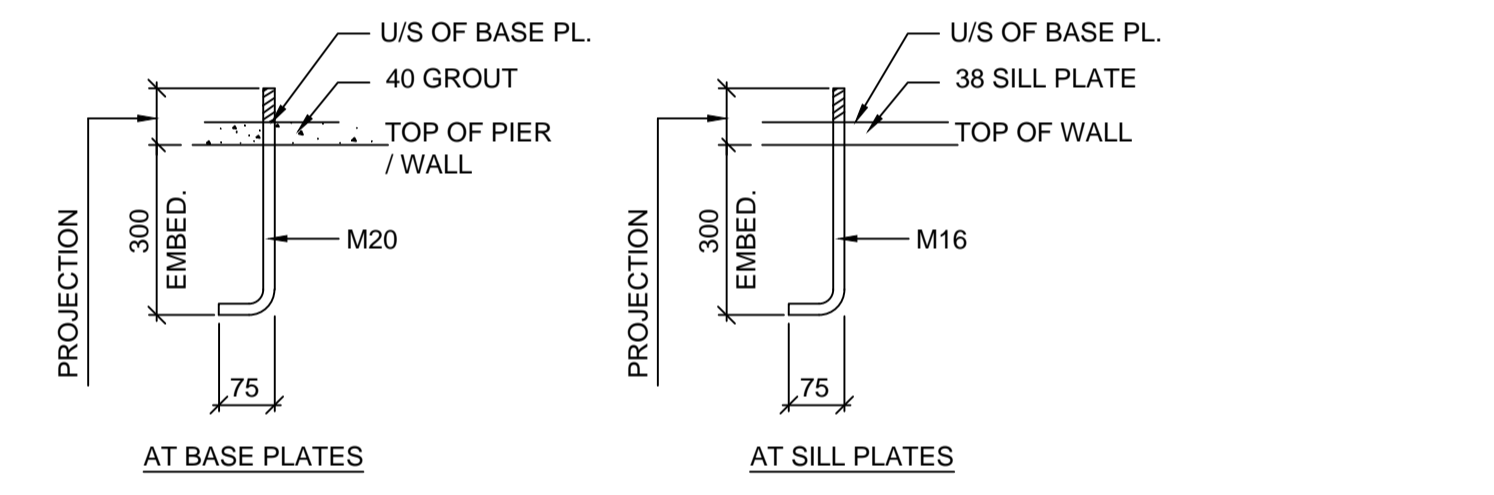
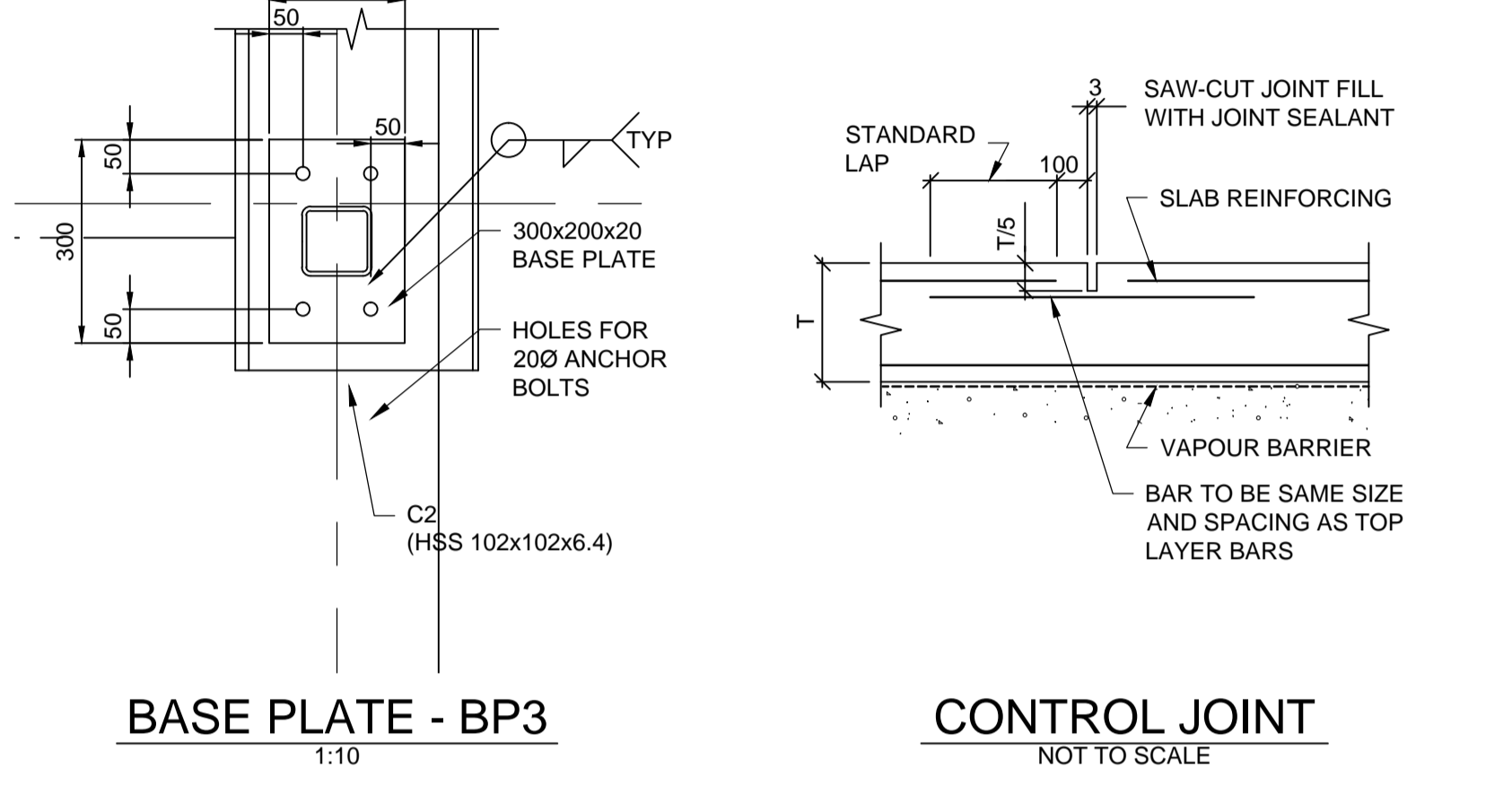
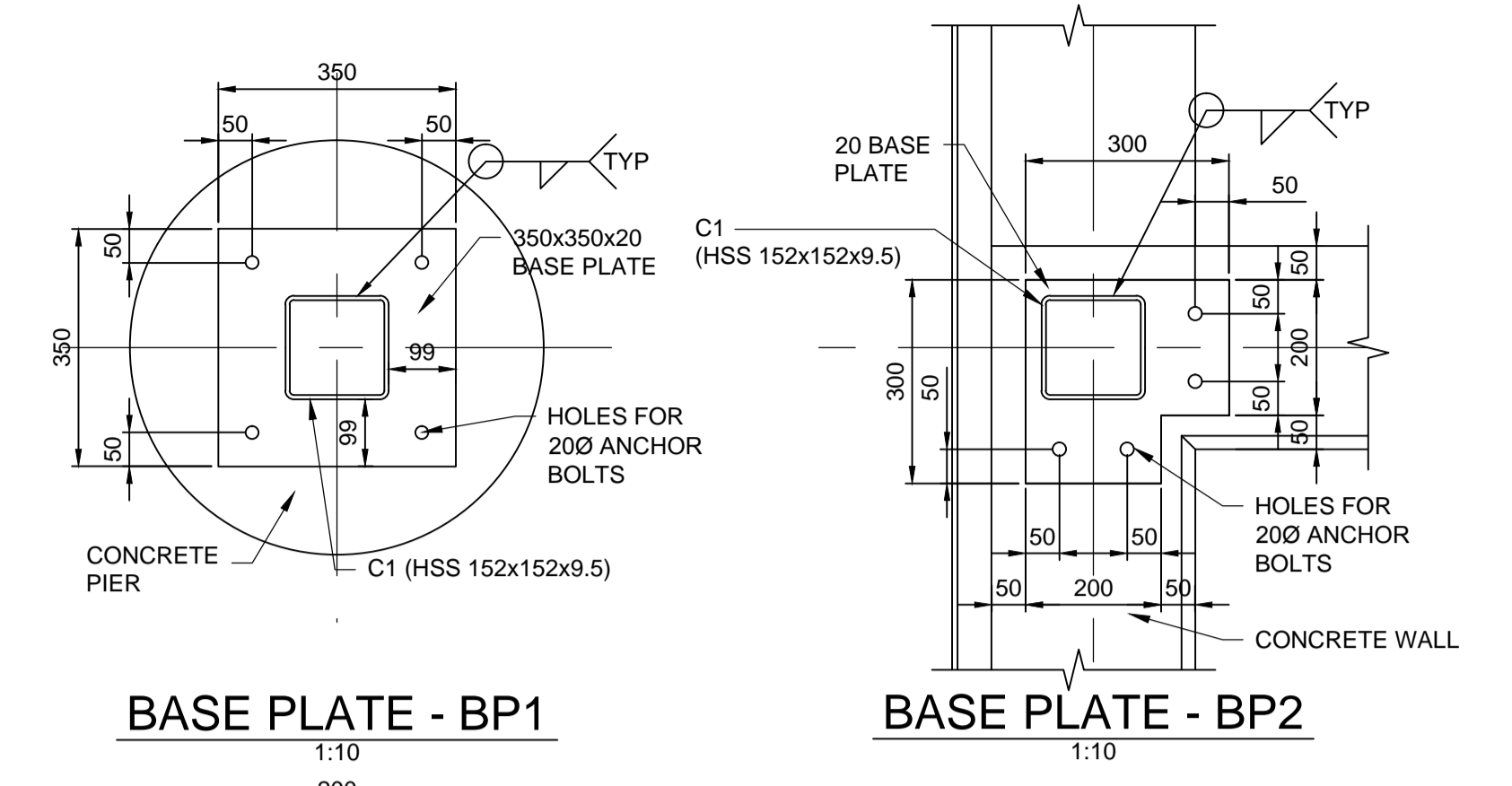


- NOTES:
1. HEADERS TO BE 3-38x235 WITH 2 JACK STUDS EACH END UNLESS NOTED OTHERWISE.
  2. JACK STUDS REFER TO STUDS ON WHICH HEADERS BEARS DIRECTLY.
  3. UNLESS NOTED OTHERWISE EACH END OF SHEAR WALL SEGMENT SHALL HAVE A 2-38x140 COLUMN FASTENED TO FOUNDATION WITH A HOLD DOWN ANCHOR AS PER DETAIL THIS SHEET. FASTEN 2-38x140 COLUMN TO TOP PLATE WITH 2 SPH6 SIMPSON TIES.
  4. ALL PLYWOOD SHEATHING TO BE FASTENED TO STUDS WITH 3" COMMON NAILS @ 150 O.C. TYPICAL.

PLAN - ELEVATION 232.75  
1:50

LEGEND  
CO CLEAN OUT  
FD FLOOR DRAIN



B.M. ELEV.	DESIGNED BY	WH
	DRAWN BY	PDR
	CHECKED BY	NR
	APPROVED BY	ARR
	HOR. SCALE	AS NOTED
	VERTICAL	
1 ISSUED FOR TENDER	16/03/04	ARR
NO. REVISIONS	DATE	BY

RELEASER FOR CONSTRUCTION	DATE
---------------------------	------



ENGINEER'S SEAL	CONSULTANT PROJECT NUMBER
13-8224	

**THE CITY OF WINNIPEG**  
PUBLIC WORKS DEPARTMENT

4R WINNIPEG DEPOT  
PACIFIC AVENUE

**HHW EWASTE BUILDING @ EL. 232.75, DETAILS**

CITY DRAWING NUMBER  
1-0851A-S0008-001

SHEET 16 OF 43

CONSULTANT DRAWING NUMBER  
S-8

WHOLE NUMBERS INDICATE MILLIMETRES  
DECIMALIZED NUMBERS INDICATE METRES

C:\projects\win\working\_directory\active\40846\138224-09-STRUCT-CON-PACIFIC.dwg