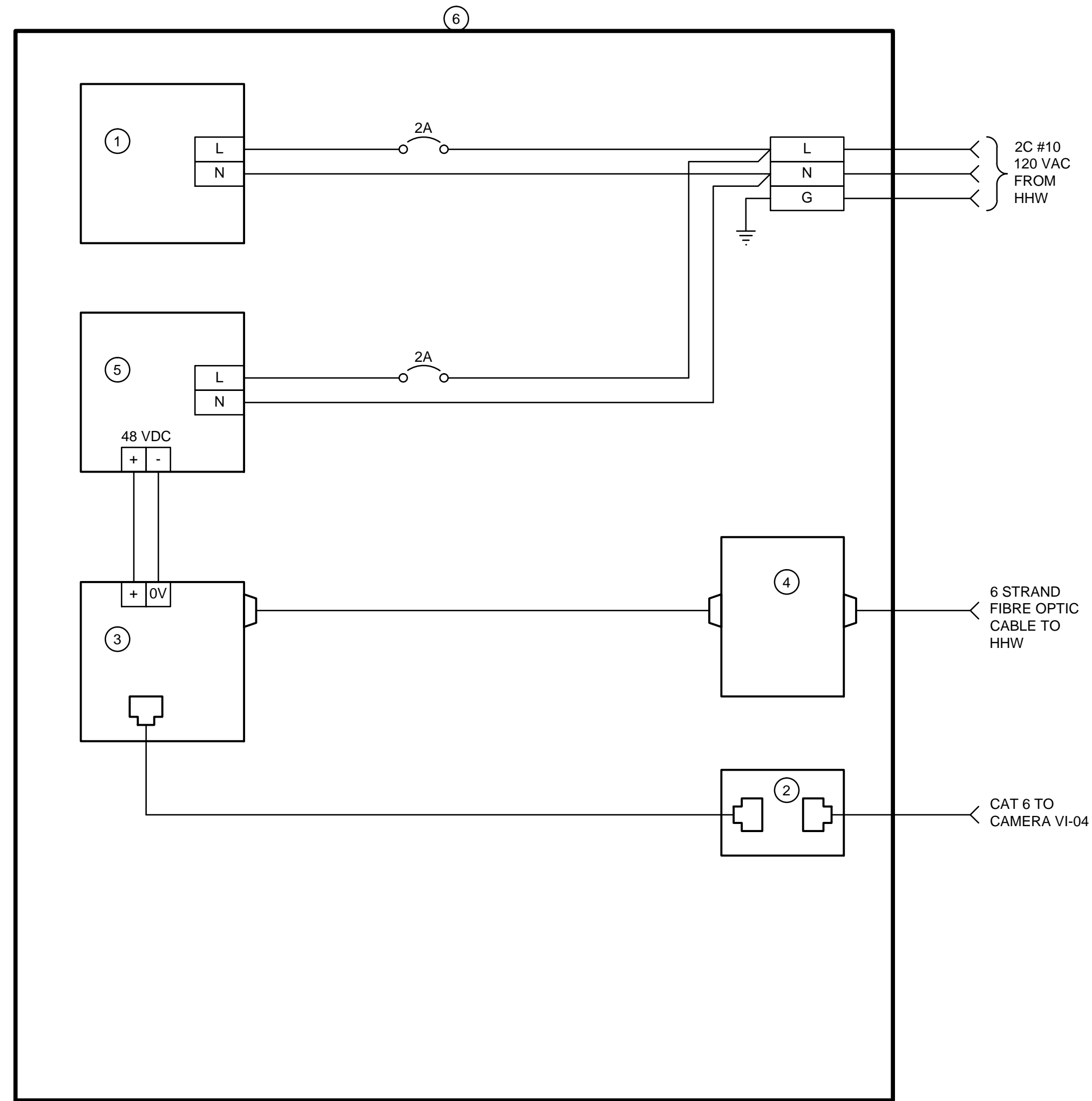
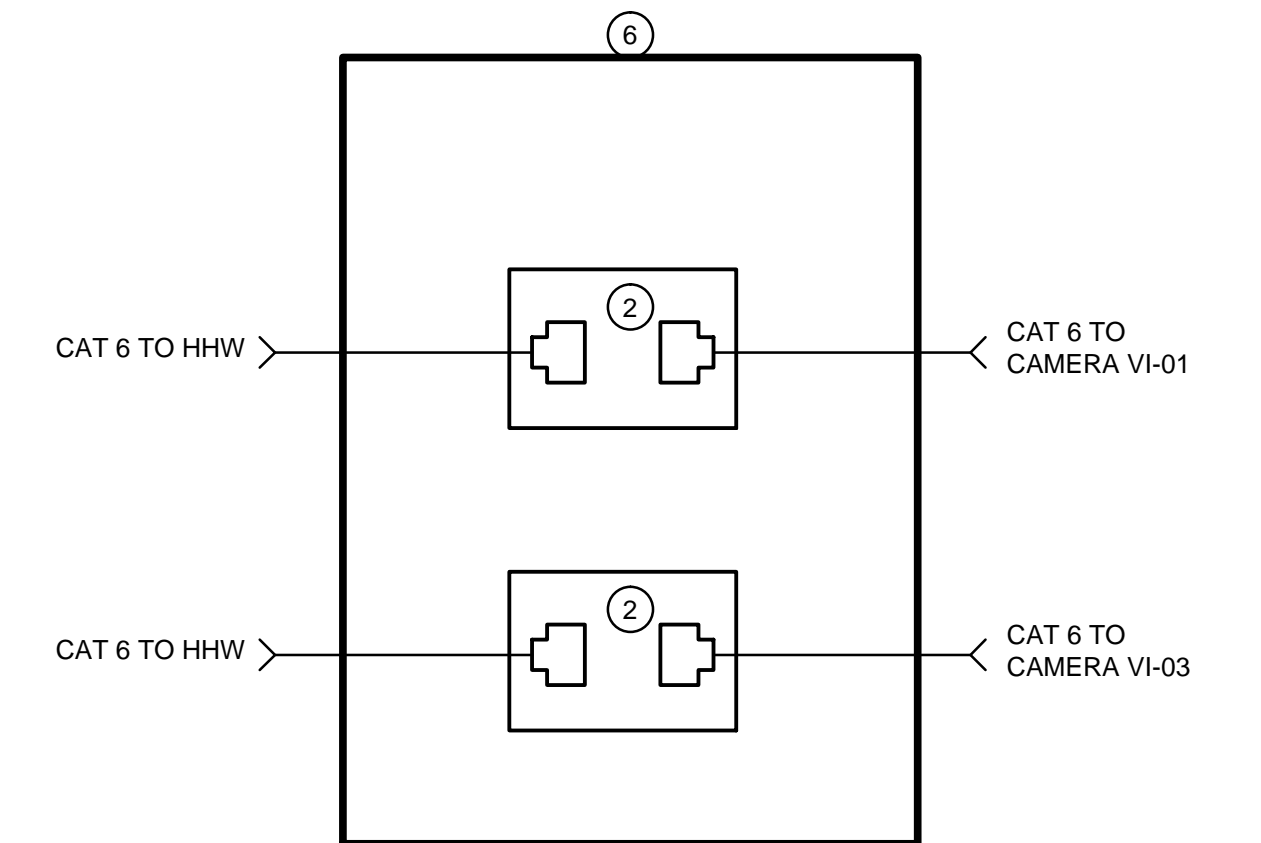


JB-09/10 LAYOUT (TYPICAL FOR JB-07/13)



JB-04 LAYOUT (TYPICAL FOR JB-05, JB-06, JB-08)



JB-01 / 03 LAYOUT

1	TUBULAR ENCLOSURE HEATER 120V, 100W	TEMPCO EHT00030
2	CAT 6 DATA LINE SURGE PROTECTOR	DITEK POE DTK-MRJOP
3	POE MEDIA CONVERTER CAT 6 / 1 FIBRE SC, MULTIMODE	COMNET CNFE1004APOEM
4	FIBRE OPTIL TERMINATION BOX WALL MOUNT	FIBERTRONICS INC FOTB-6-12
5	UPS POWER SUPPLY, 48 VDC	FLEXNET MPS 48-7
6	NEMA 4 ENCLOSURE	HAMMOND MANUFACTURING EJ12126

METRIC

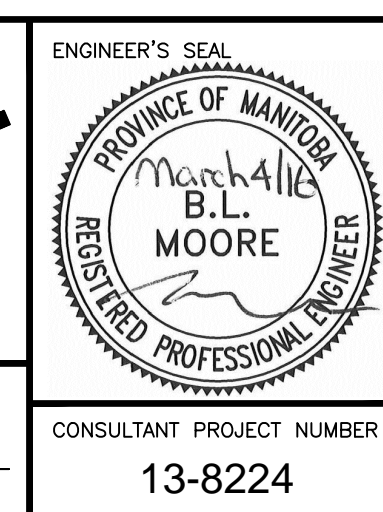
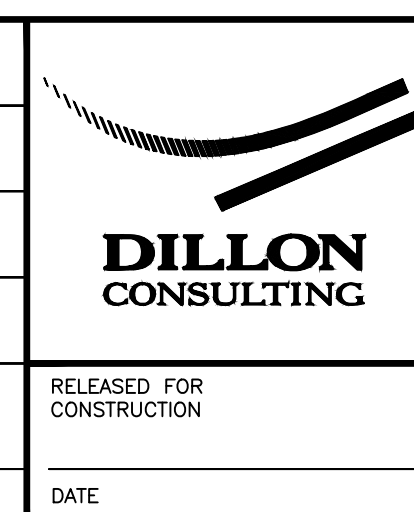
WHOLE NUMBERS INDICATE MILLIMETRES
DECIMALIZED NUMBERS INDICATE METRES

C:\projects\winnipeg\working_directory\active\4099\40245764\138224-02-ELEC-C0007.dwg



B.M. ELEV.	DESIGNED BY	BLM
	DRAWN BY	SCK
	CHECKED BY	BLM
	APPROVED BY	ARR
	HOR. SCALE	AS NOTED
	VERTICAL	
1 ISSUED FOR TENDER	16/03/04	ARR
NO. REVISIONS	DATE	BY

RELEASED FOR CONSTRUCTION	DATE
---------------------------	------



THE CITY OF WINNIPEG PUBLIC WORKS DEPARTMENT	
4R WINNIPEG DEPOT PACIFIC AVENUE	CITY DRAWING NUMBER 1-0851A-E0008-001 SHEET 40 OF 43
SECURITY SYSTEM CAMERA DETAILS	CONSULTANT DRAWING NUMBER E-8