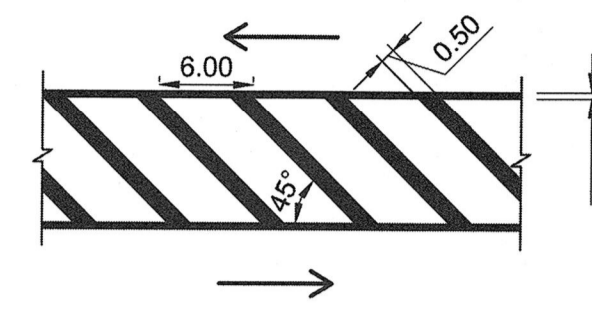


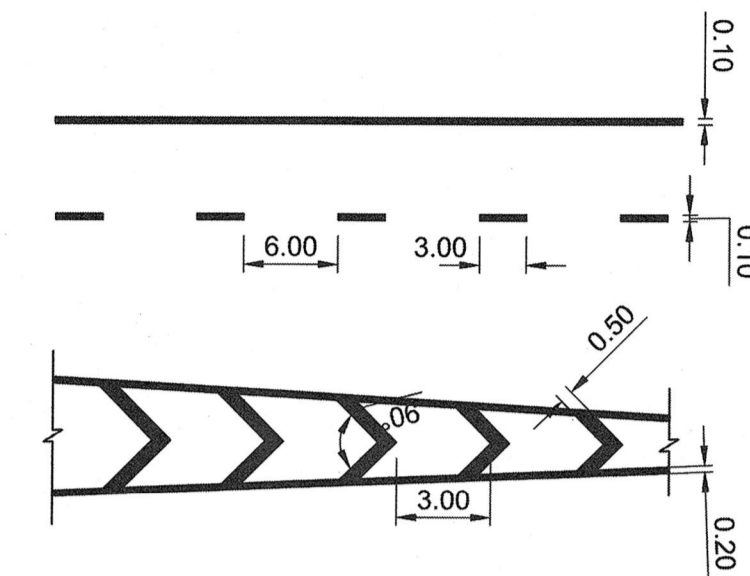
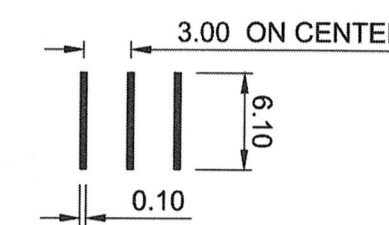


### LINE PAINTING LEGEND:

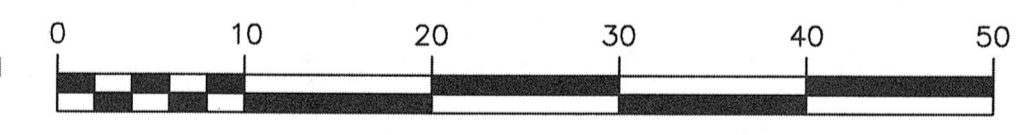
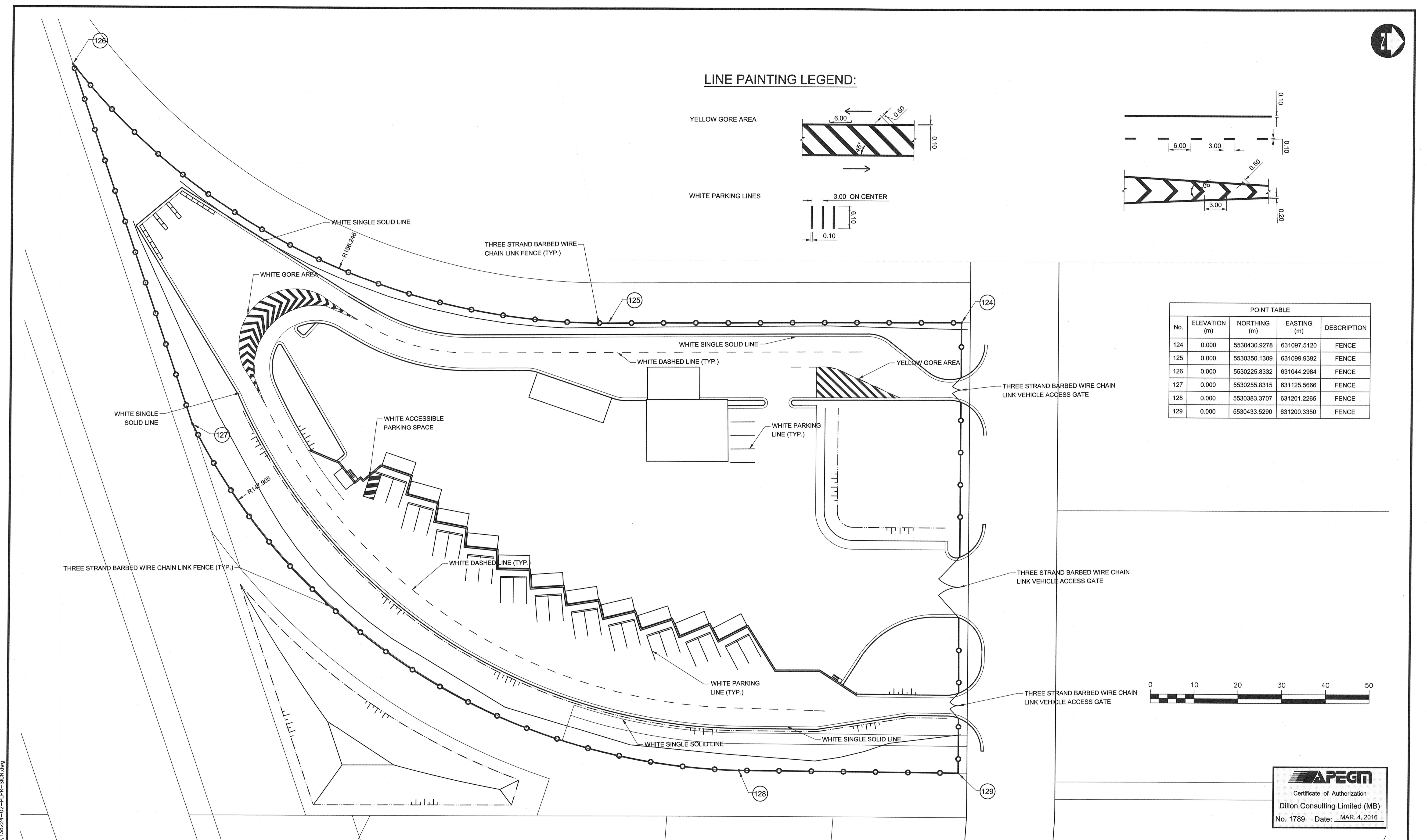
YELLOW GORE AREA



WHITE PARKING LINES



POINT TABLE				
No.	ELEVATION (m)	NORTHING (m)	EASTING (m)	DESCRIPTION
124	0.000	5530430.9278	631097.5120	FENCE
125	0.000	5530350.1309	631099.9392	FENCE
126	0.000	5530225.8332	631044.2984	FENCE
127	0.000	5530255.8315	631125.5668	FENCE
128	0.000	5530383.3707	631201.2265	FENCE
129	0.000	5530433.5290	631200.3350	FENCE



**APEGM**  
 Certificate of Authorization  
 Dillon Consulting Limited (MB)  
 No. 1789 Date: MAR. 4, 2016

METRIC

WHOLE NUMBERS INDICATE MILLIMETRES  
DECIMALIZED NUMBERS INDICATE METRES

150 WM	150 WM	MTS	MTS	150 mm W.M.	150 mm W.M.
HYDRANT	HYDRANT	CONCRETE	CONCRETE	HYDRANT	HYDRANT
VALVE	VALVE	ASPHALT	ASPHALT	VALVE	VALVE
300 LDS LAND DRAINAGE SEWER	300 LDS	PLANING	PLANING	300 mm L.D.S.	300 mm L.D.S.
250 WWS WASTE WATER SEWER	250 WWS	SIDEWALK	SIDEWALK	250 mm W.W.S.	250 mm W.W.S.
MANHOLE	MANHOLE	PAVING STONES	PAVING STONES	Q PROFILE	Q PROFILE
CATCH BASIN	CATCH BASIN	PROPERTY LINE	PROPERTY LINE	PVMT FLOW DIRECTION	PVMT FLOW DIRECTION
TEST HOLES	TEST HOLES	SURVEY BAR	SURVEY BAR		
JUNCTIONS	JUNCTIONS	CURB RAMP	CURB RAMP		
CULVERT	CULVERT	DITCH	DITCH		
100 GAS	100 GAS	SWALE	SWALE		
EXISTING	LEGEND-PLAN	PROPOSED	EXISTING	LEGEND-PROFILE	PROPOSED

**UNDERGROUND STRUCTURES**

SUPV. U/G STRUCTURES COMMITTEE DATE

NOTE:  
 LOCATION OF UNDERGROUND STRUCTURES AS SHOWN ARE BASED ON THE BEST INFORMATION AVAILABLE BUT NO GUARANTEE IS GIVEN THAT ALL EXISTING UTILITIES ARE SHOWN OR THAT THE GIVEN LOCATIONS ARE EXACT. CONFIRMATION OF EXISTENCE AND EXACT LOCATION OF ALL SERVICES MUST BE OBTAINED FROM THE INDIVIDUAL UTILITIES BEFORE PROCEEDING WITH CONSTRUCTION.

B.M. ELEV.	DESIGNED BY	TS
	DRAWN BY	TS
	CHECKED BY	WPN
	APPROVED BY	ARR
	HOR. SCALE	RELEASED FOR CONSTRUCTION
	VERTICAL	DATE
1	ISSUED FOR TENDER	160304 ARR
NO.	REVISIONS	DATE BY

**DILLON CONSULTING**

RELEASED FOR CONSTRUCTION

DATE

ENGINEER'S SEAL  
 W.P. NAIRN  
 Member 34277  
 MARCH 2, 2016  
 CONSULTANT PROJECT NUMBER  
 13-8224

**THE CITY OF WINNIPEG**  
 WATER AND WASTE DEPARTMENT

4R WINNIPEG DEPOT  
 PACIFIC AVENUE

**SITE FENCING AND PAINTING**

CITY DRAWING NUMBER  
 1-0851A-0007-001

SHEET 8 OF 43

CONSULTANT DRAWING NUMBER  
 C-7

C:\projects\working\_directory\active\_4099\0245764\138224-02-PLPR-SIGN.dwg