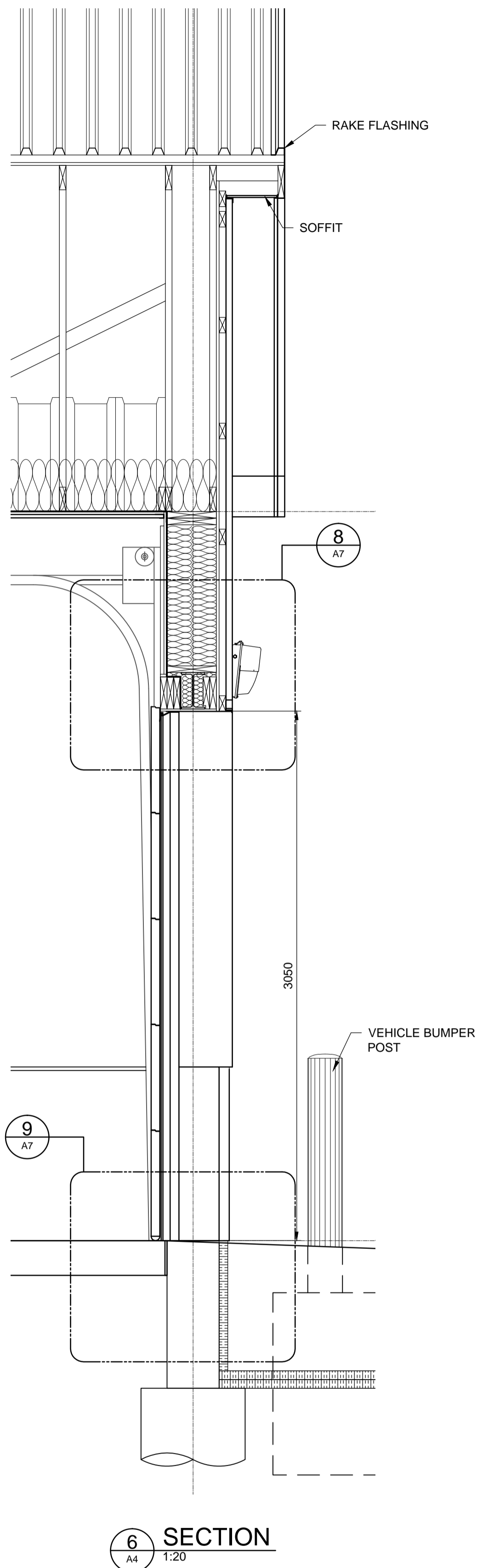
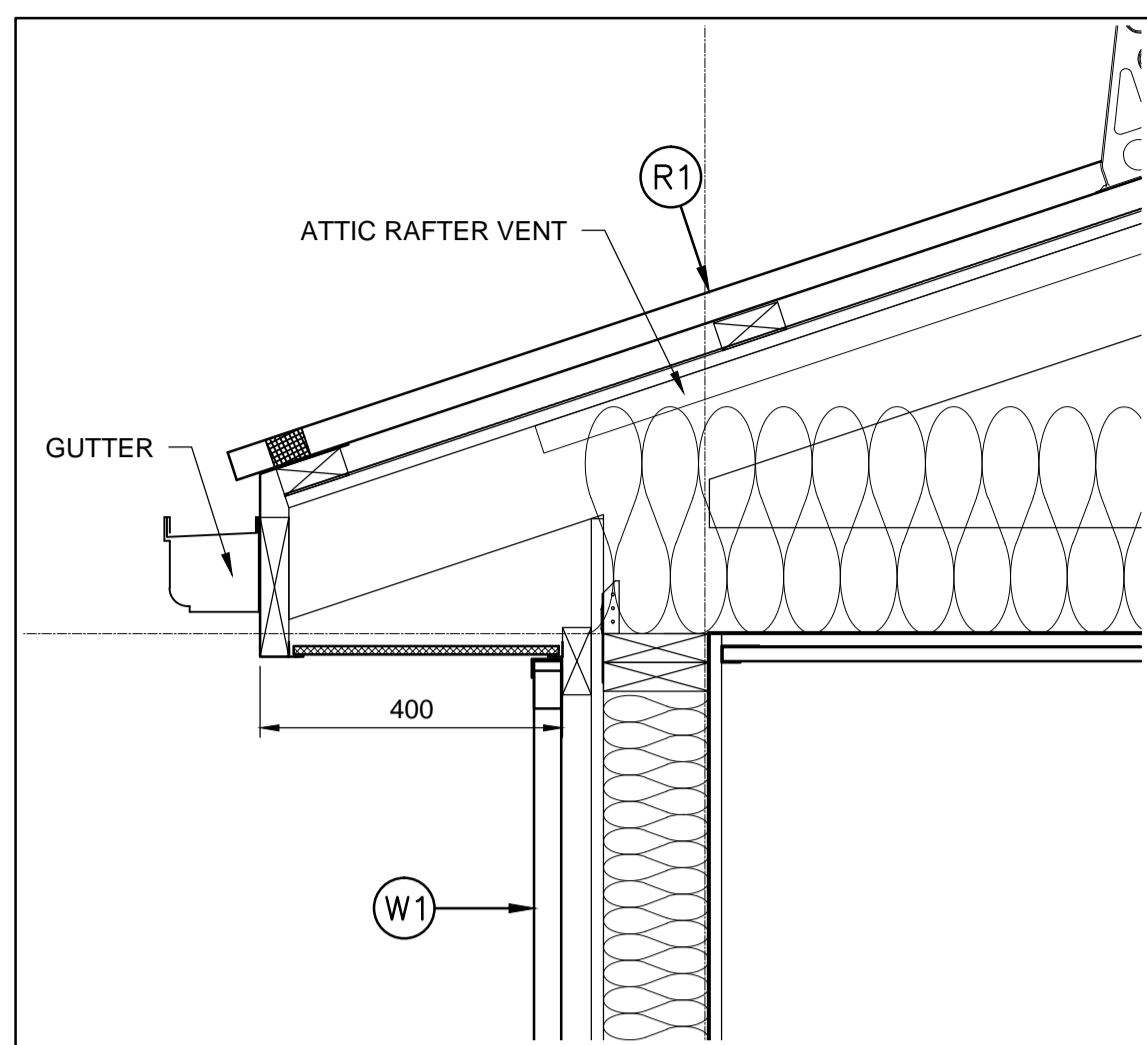


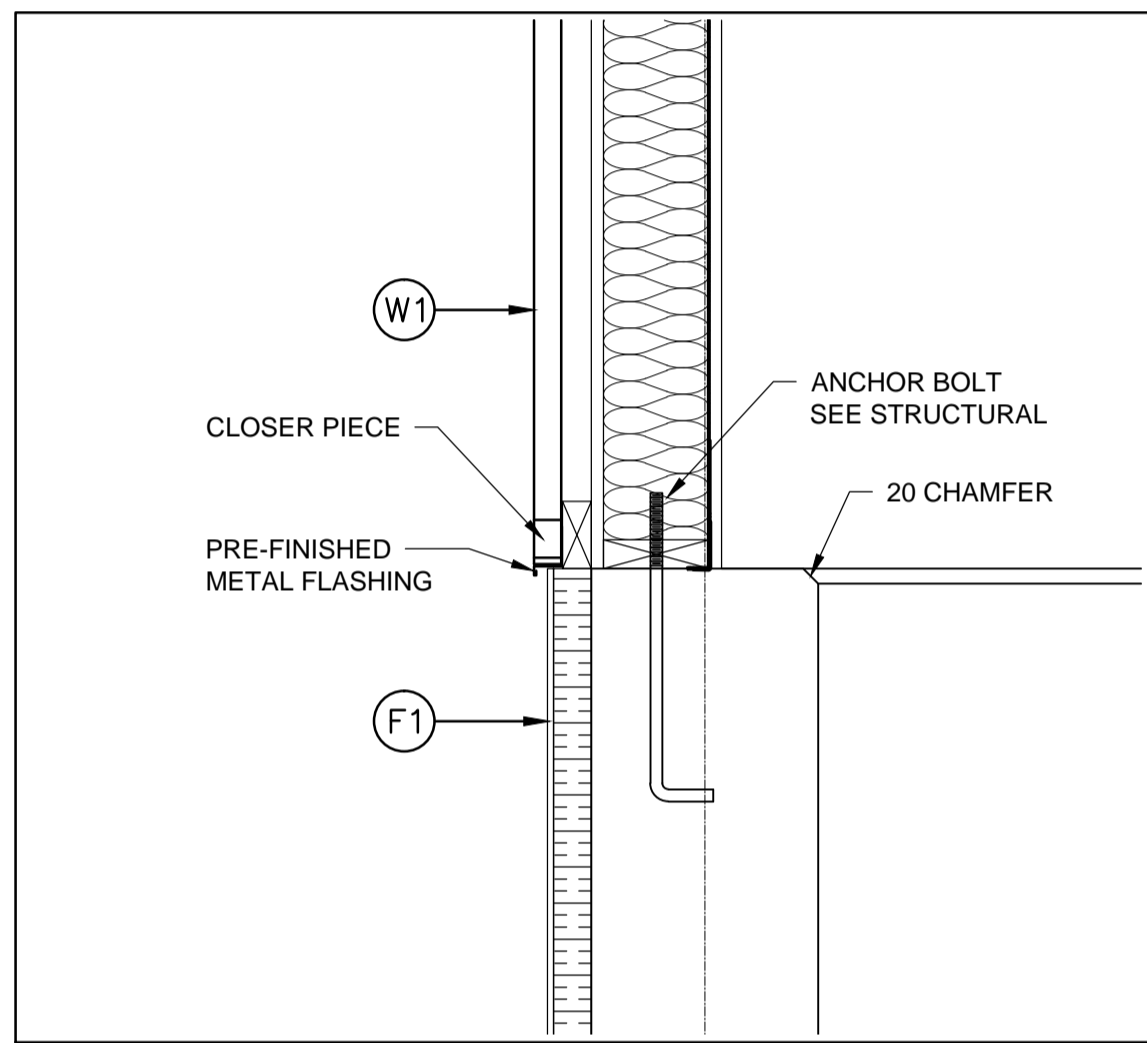
C:\projects\waste_building_directory\active\4046\138224-01-ARCH-PACIFIC.dwg



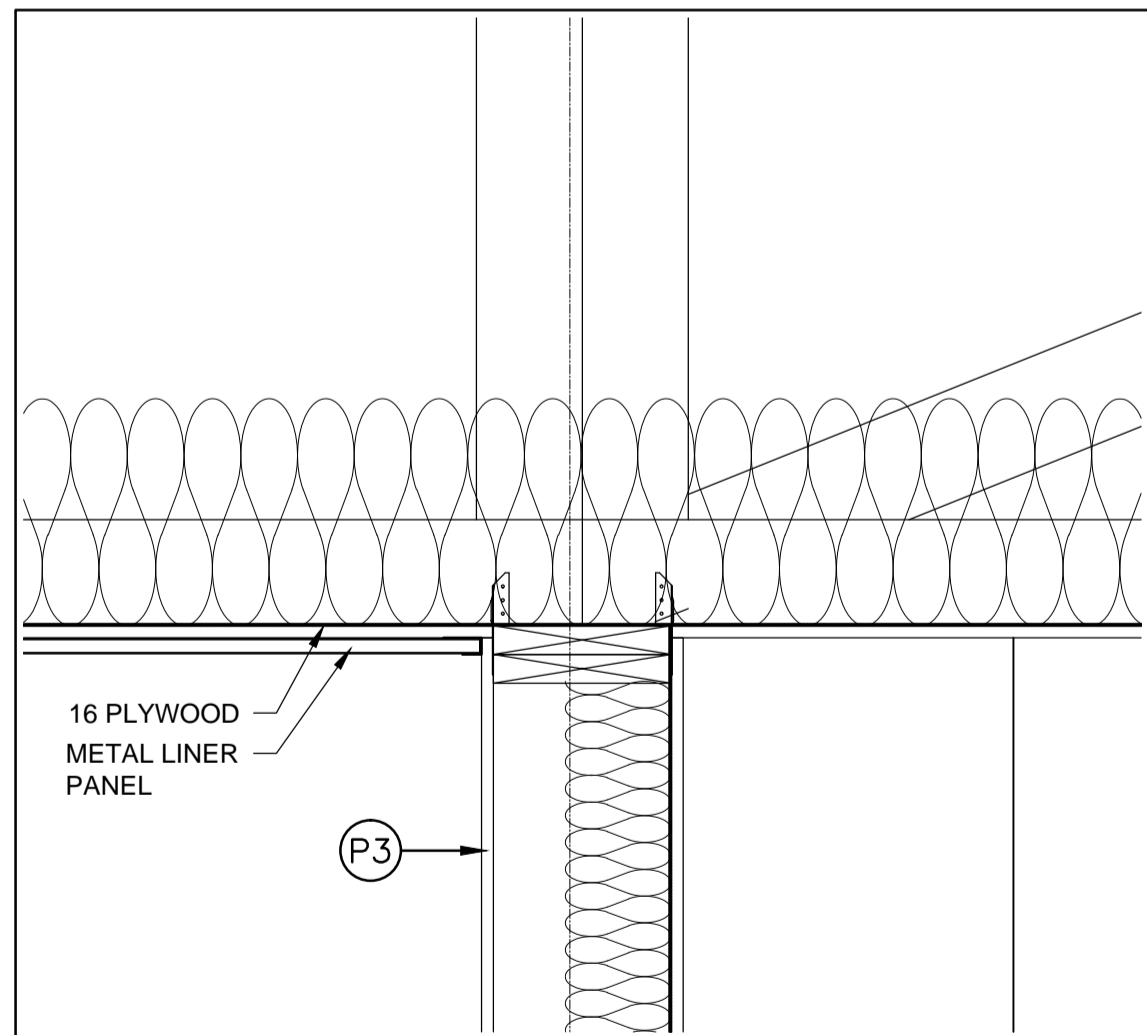
6 SECTION
A6
1:20



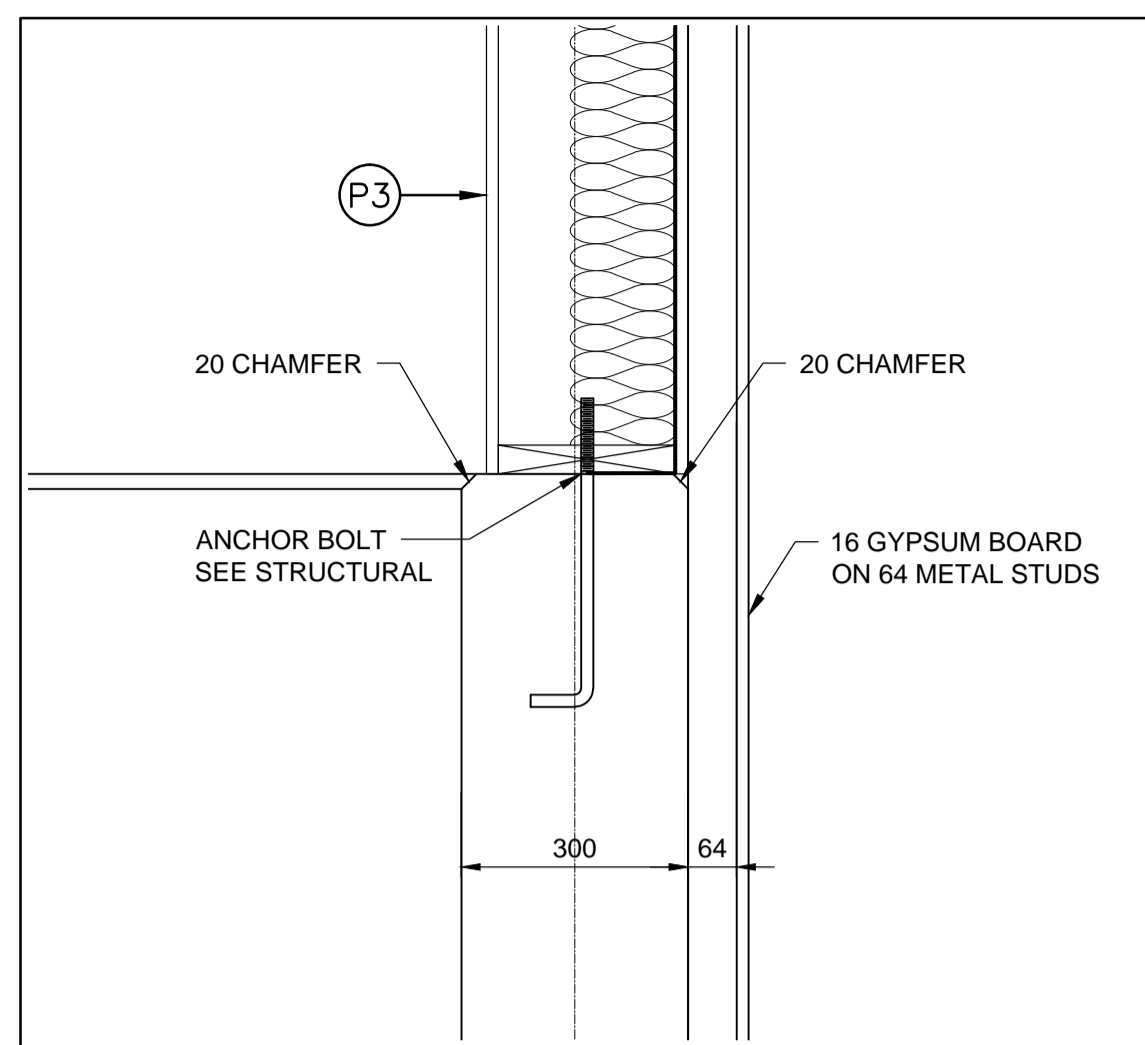
1 DETAIL
A6
1:10



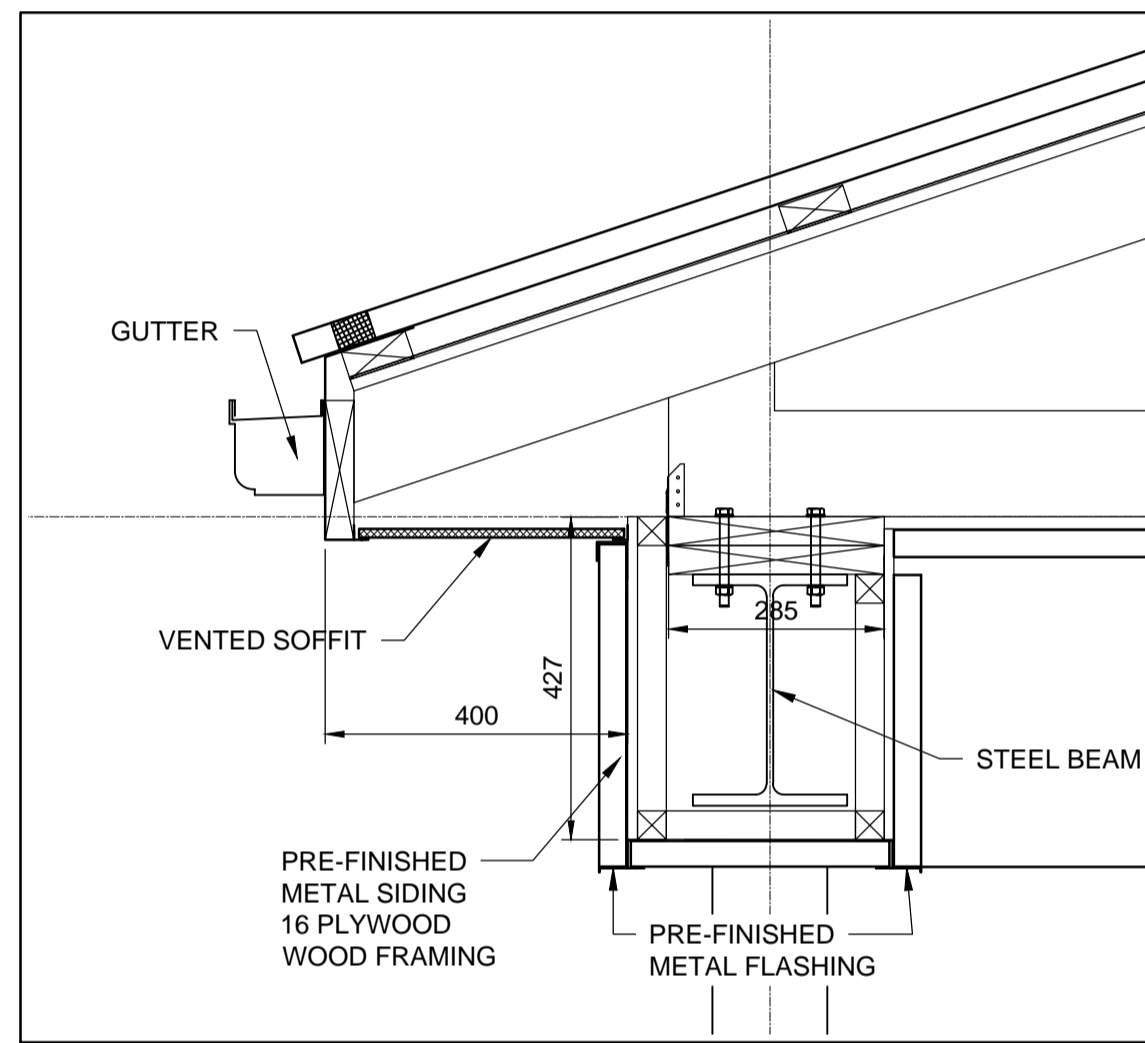
2 DETAIL
A6
1:10



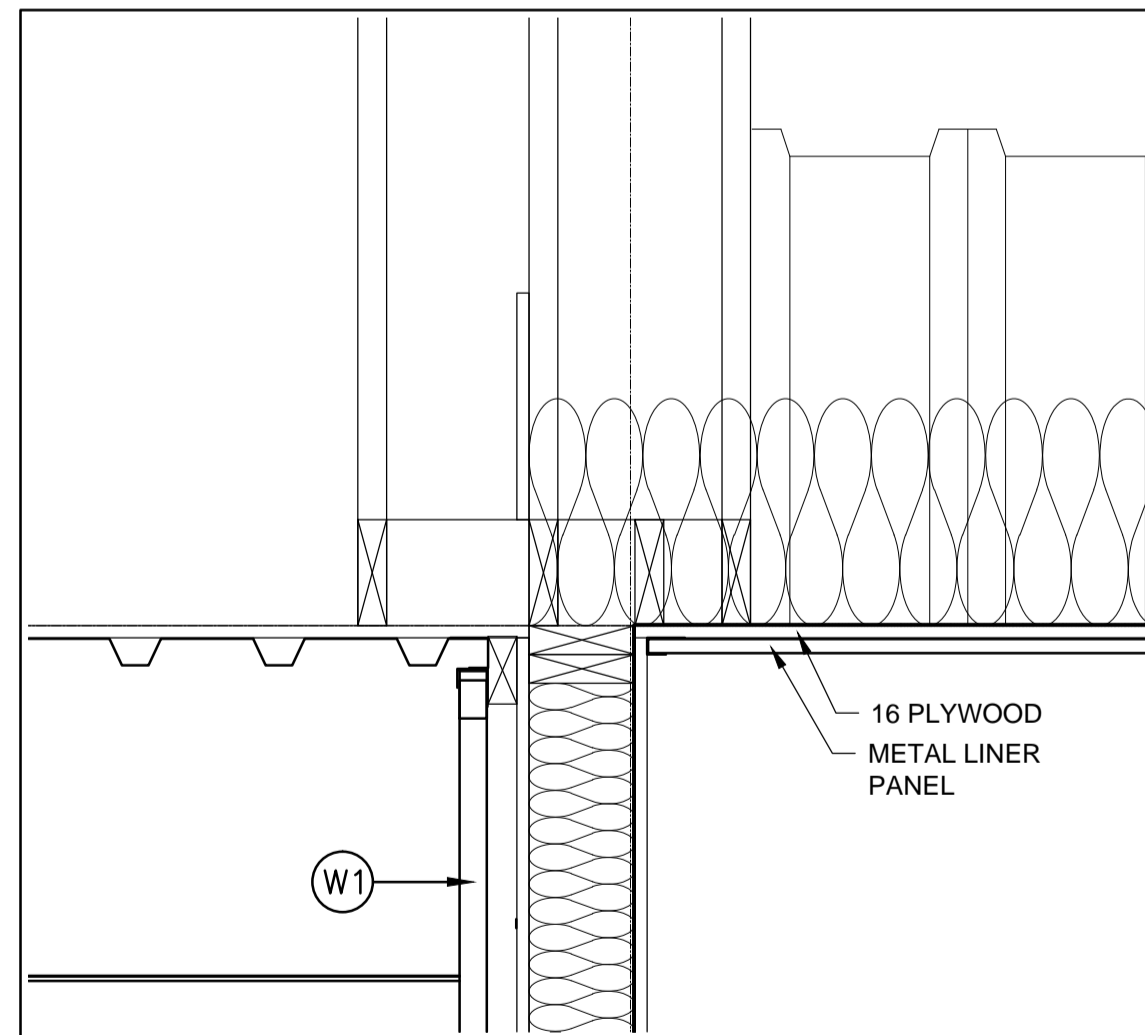
3 DETAIL
A6
1:10



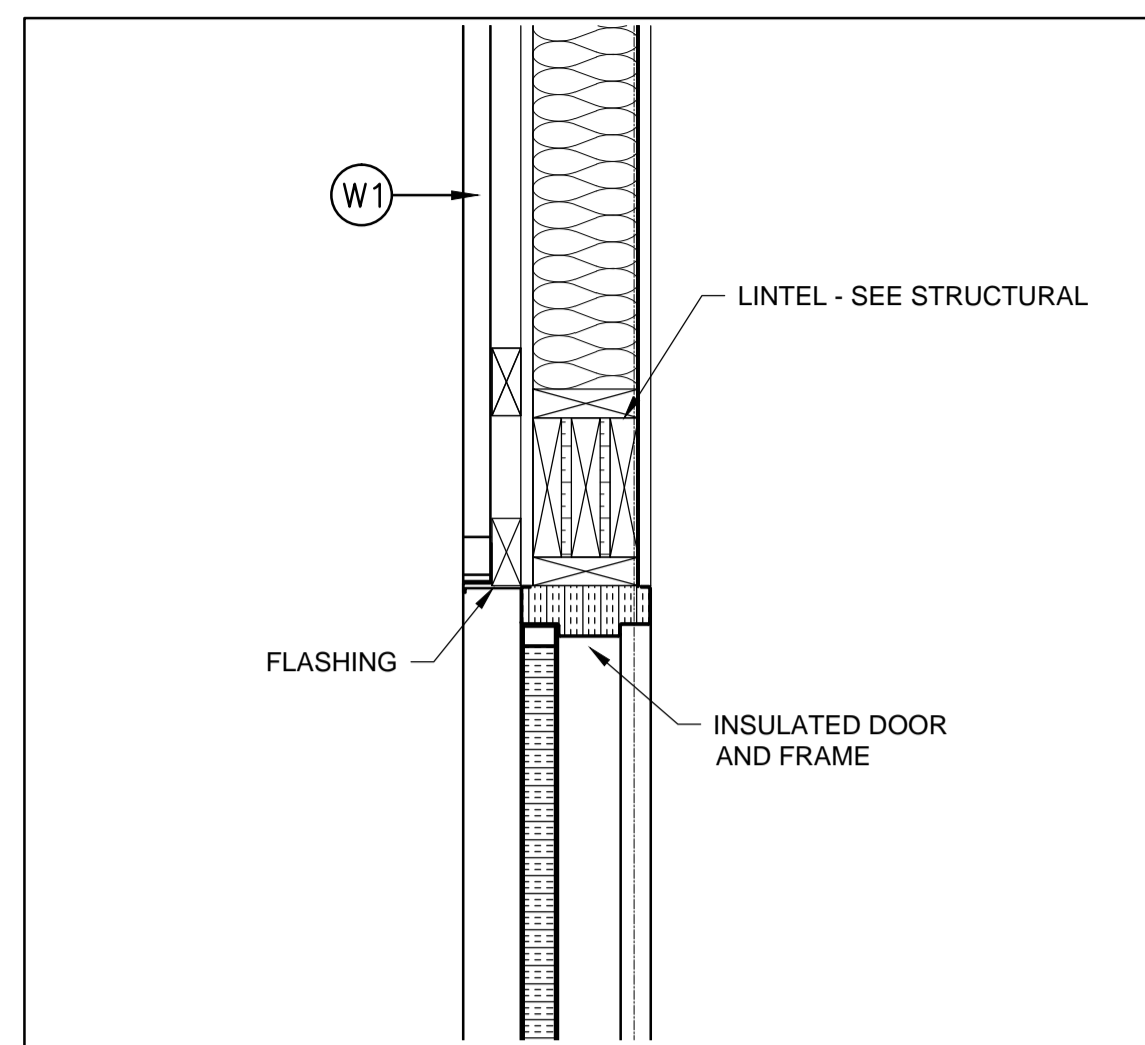
4 DETAIL
A6
1:10



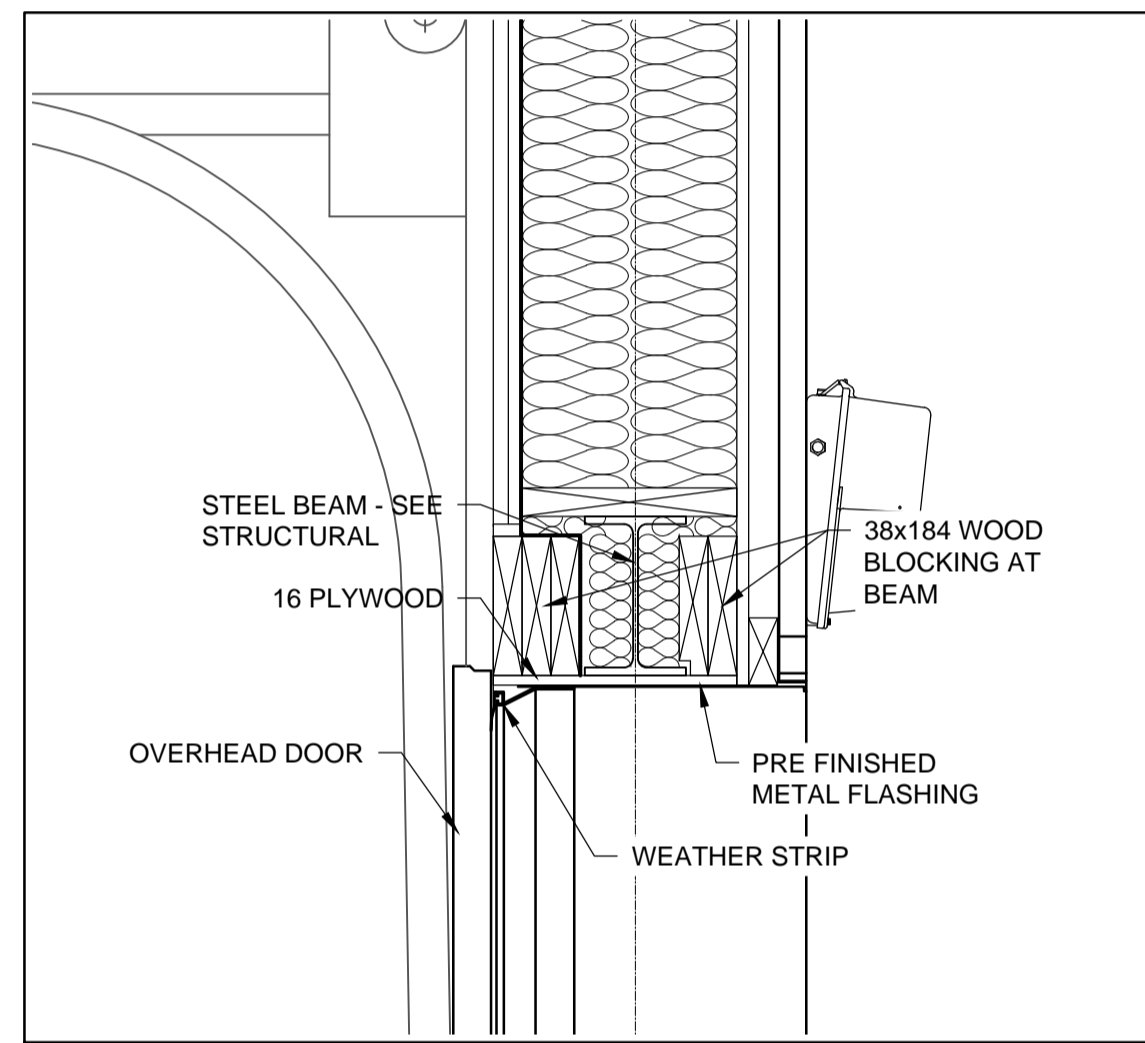
5 DETAIL
A6
1:10



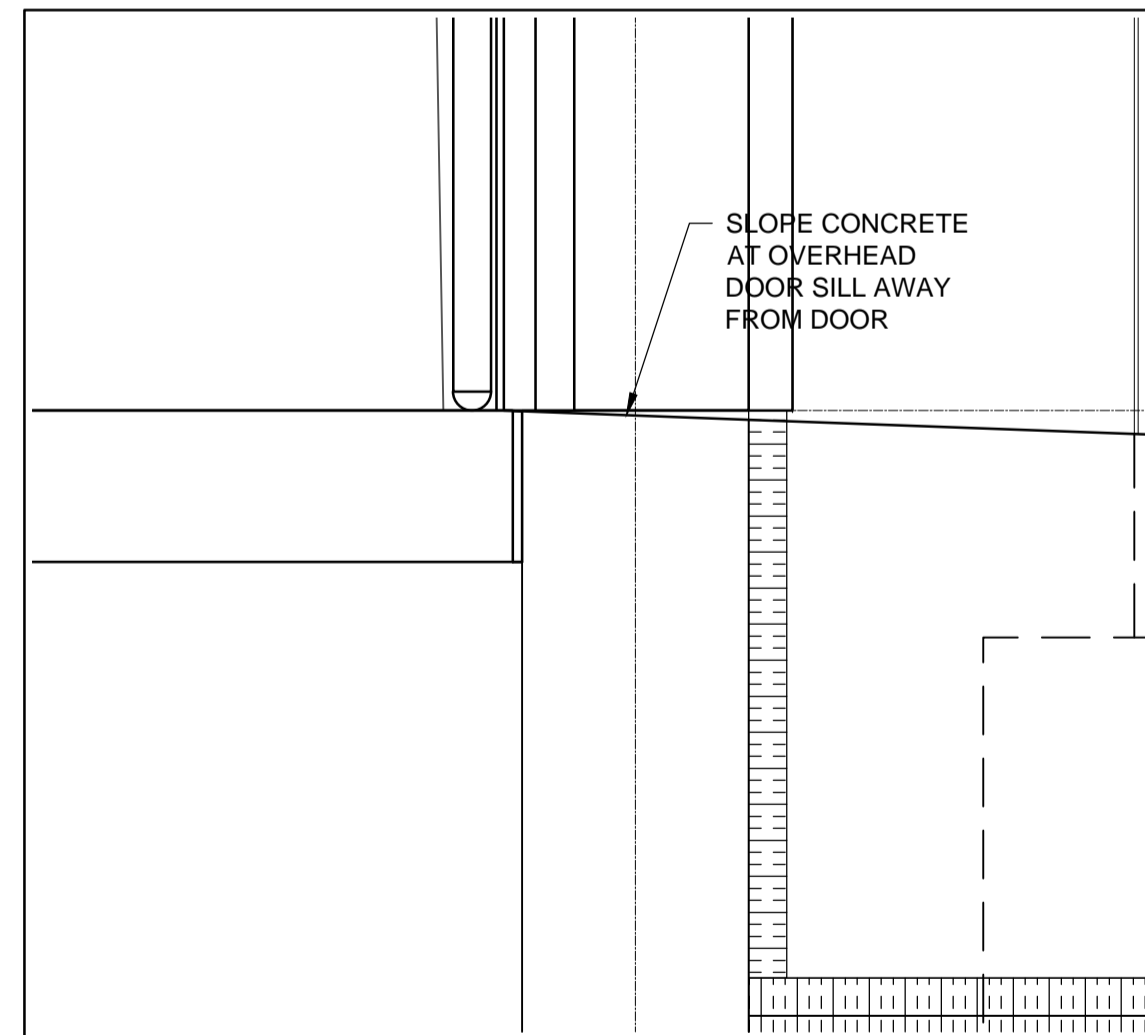
6 DETAIL
A6
1:10



7 DETAIL
A6
1:10



8 DETAIL
A6
1:10



9 DETAIL
A6
1:10

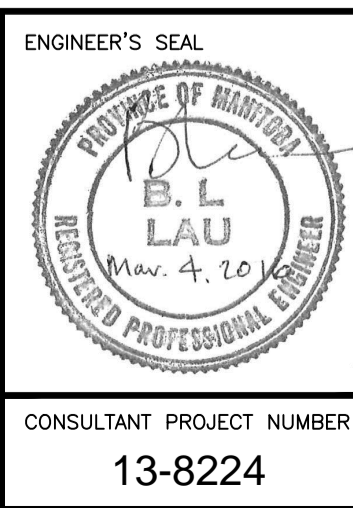
METRIC

WHOLE NUMBERS INDICATE MILLIMETRES
DECIMALIZED NUMBERS INDICATE METRES



B.M. ELEV.		DESIGNED BY	LDP
		DRAWN BY	PDR
		CHECKED BY	LDP
		APPROVED BY	ARR
		HOR. SCALE	AS NOTED
		VERTICAL	
1	ISSUED FOR TENDER	16/03/04	ARR
NO.	REVISIONS	DATE	BY

RELEASED FOR CONSTRUCTION	DATE
---------------------------	------



THE CITY OF WINNIPEG PUBLIC WORKS DEPARTMENT	
4R WINNIPEG DEPOT PACIFIC AVENUE	CITY DRAWING NUMBER 1-0851A-A0007-001 SHEET 29 OF 43
HHW EWASTE BUILDING WALL SECTIONS, DETAILS	CONSULTANT DRAWING NUMBER A-7