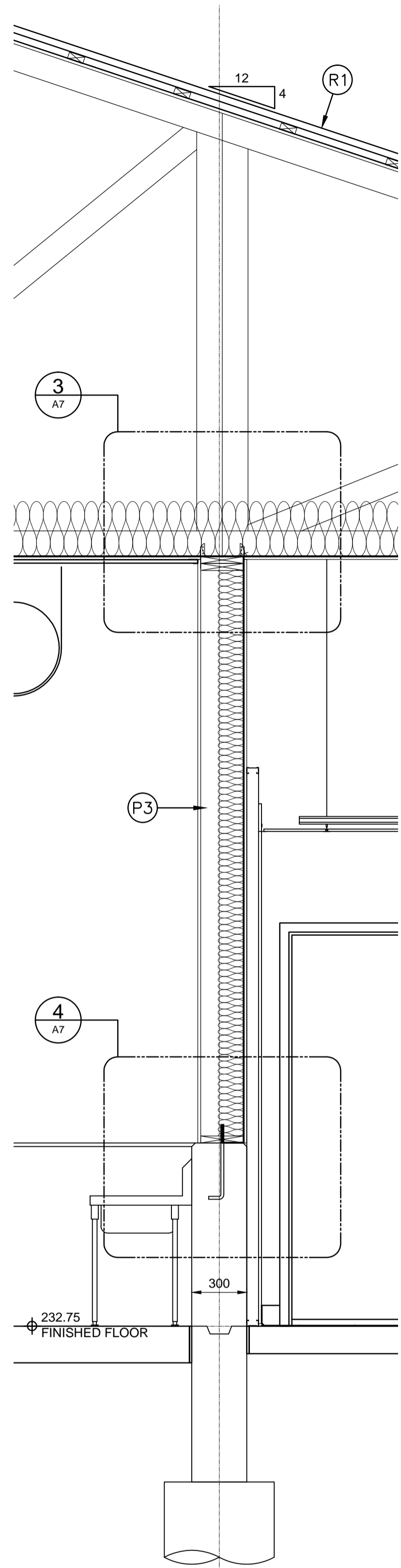
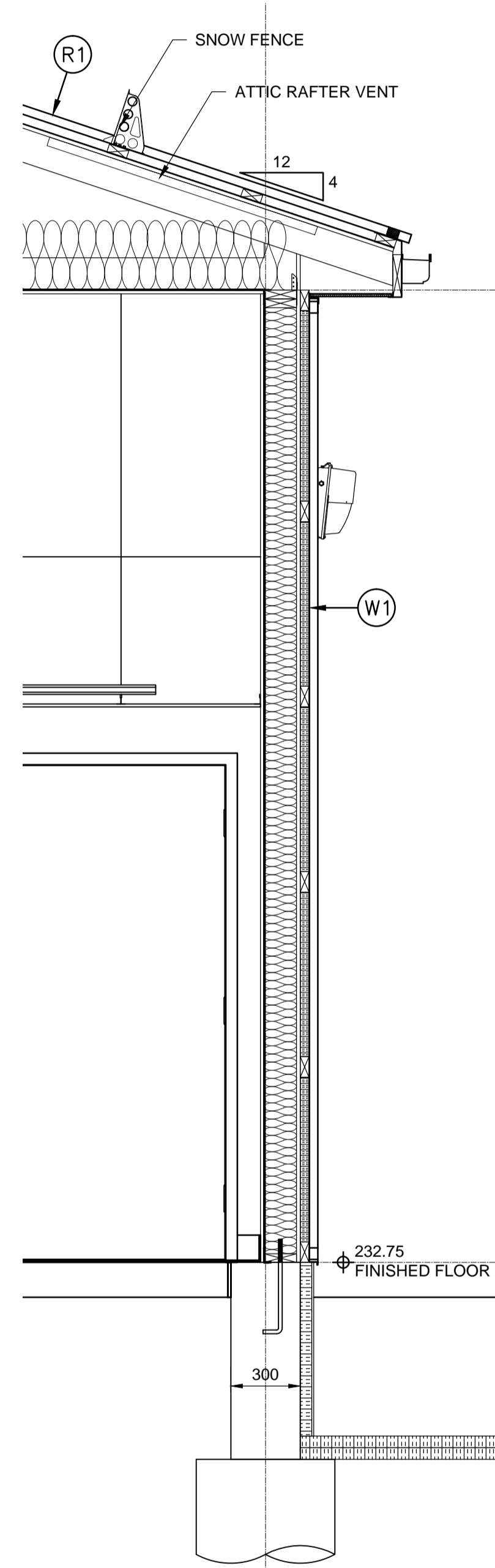


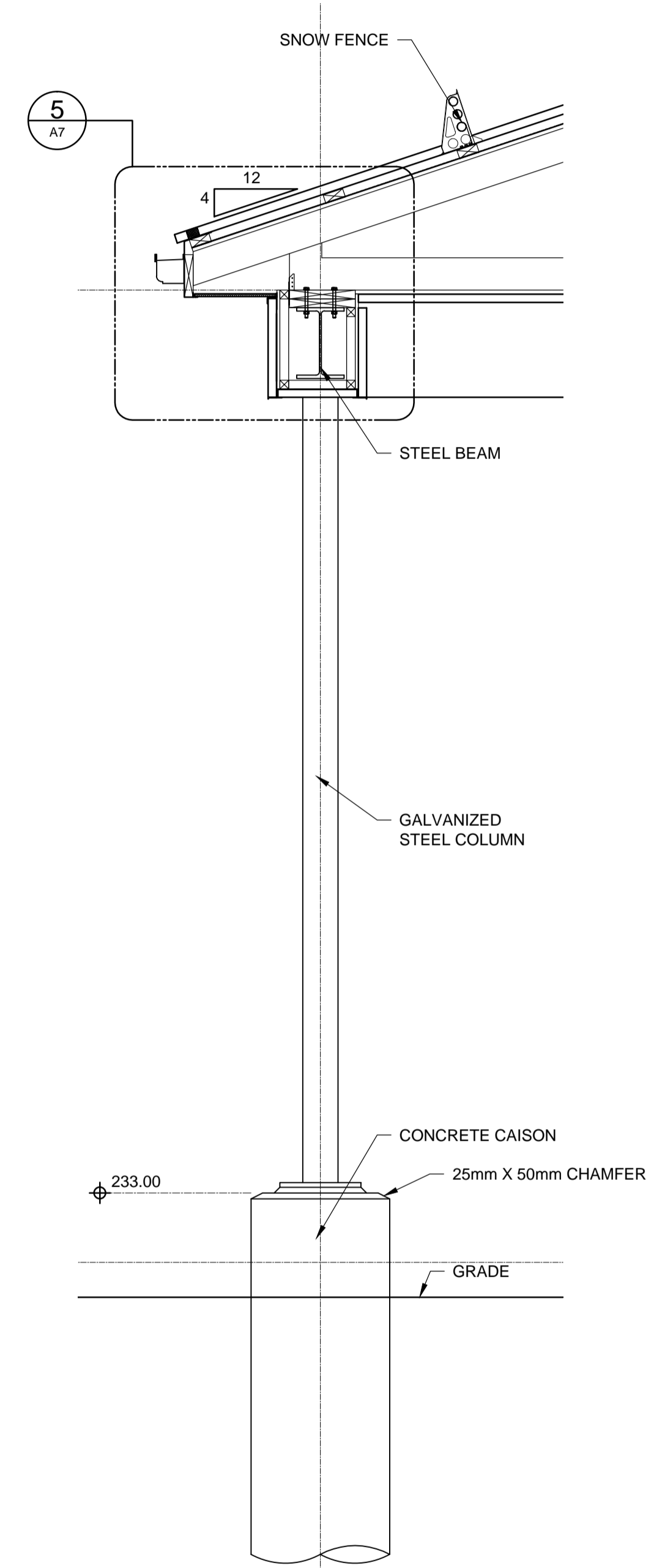
1 SECTION
A4 1:20



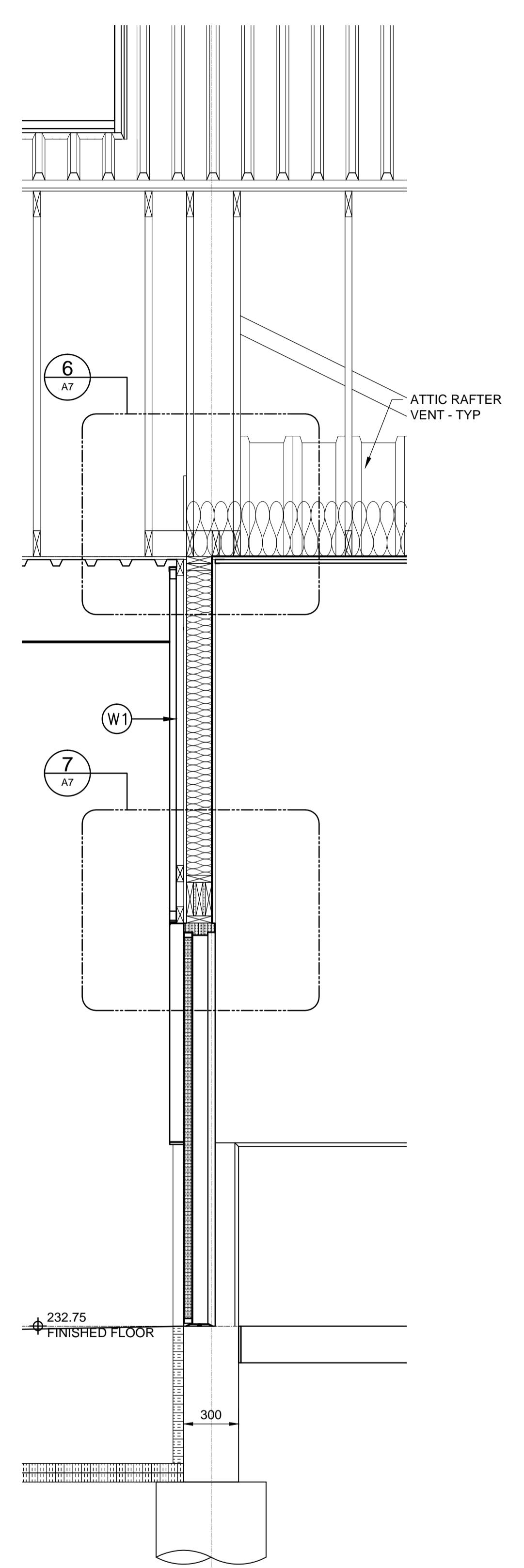
2 SECTION
A4 1:20



3 SECTION
A4 1:20



4 SECTION
A4 1:20



5 SECTION
A4 1:20

METRIC
WHOLE NUMBERS INDICATE MILLIMETRES
DECIMALIZED NUMBERS INDICATE METRES

C:\projects\waste_building_directory\active\404024576A\138224-01-ARCH-PACIFIC.dwg



B.M. ELEV.	DESIGNED BY	LDP
	DRAWN BY	PDR
	CHECKED BY	LDP
	APPROVED BY	ARR
	HOR. SCALE	AS NOTED
	VERTICAL	
1 ISSUED FOR TENDER	16/03/04	ARR
NO. REVISIONS	DATE	BY DATE

RELEASED FOR CONSTRUCTION
DATE



ENGINEER'S SEAL
PROFESSOR OF HONOUR
B. L. LAU
MAY 4, 2010
REGISTERED PROFESSIONAL ENGINEER
CONSULTANT PROJECT NUMBER
13-8224

THE CITY OF WINNIPEG
PUBLIC WORKS DEPARTMENT

4R WINNIPEG DEPOT
PACIFIC AVENUE

HHW EWASTE BUILDING
WALL SECTIONS

CITY DRAWING NUMBER
1-0851A-A0006-001

SHEET 28 OF 43

CONSULTANT DRAWING NUMBER
A-6