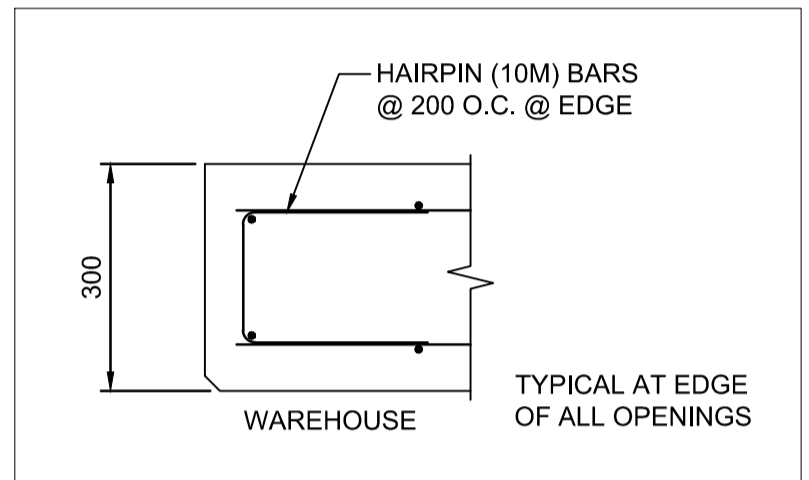
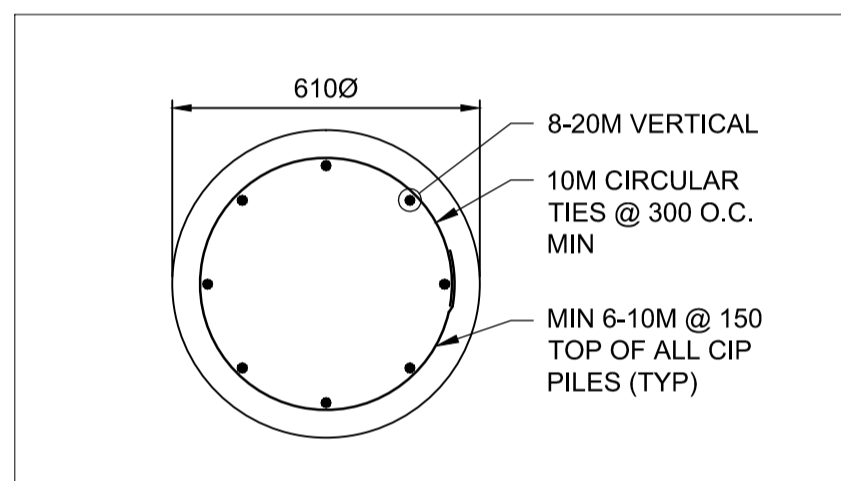


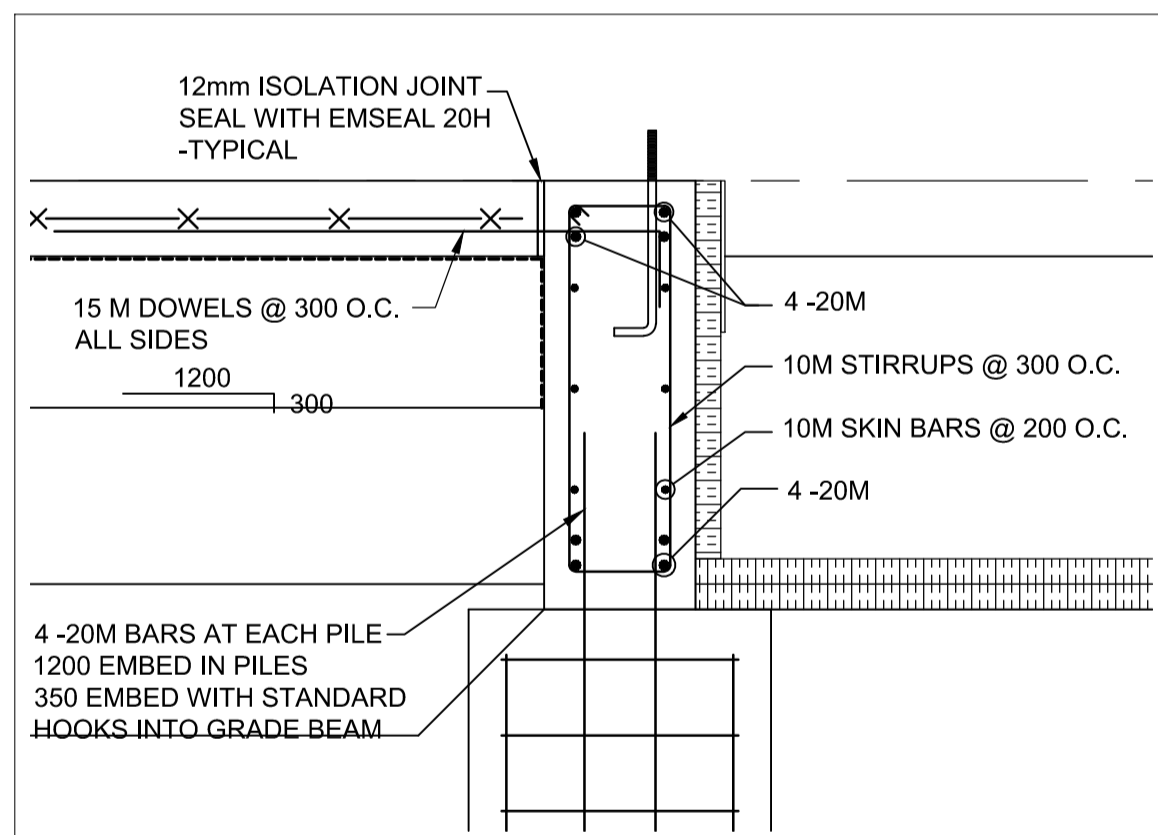
1 DETAIL
S8 1:15
TYPICAL AT WAREHOUSE DOOR LOCATIONS



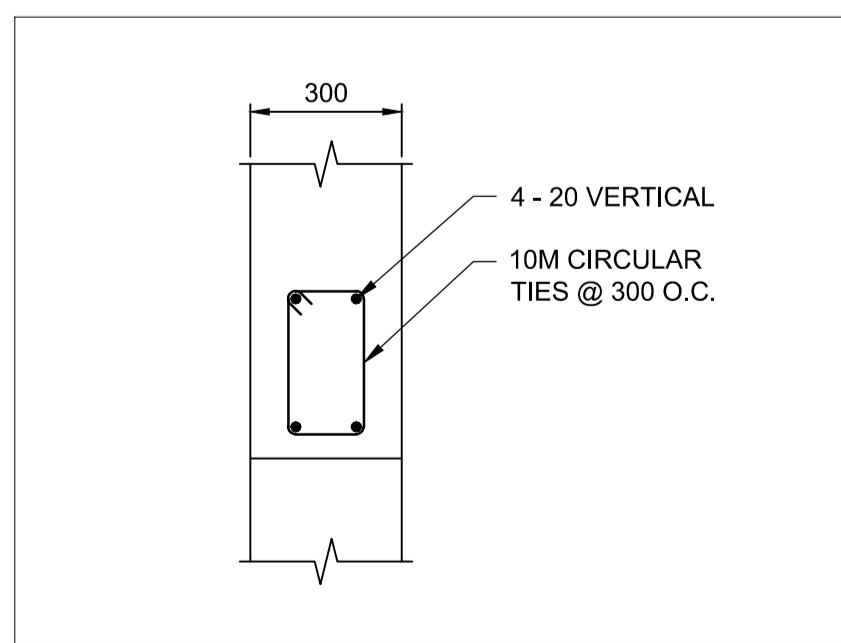
1 SECTION
S8 1:10



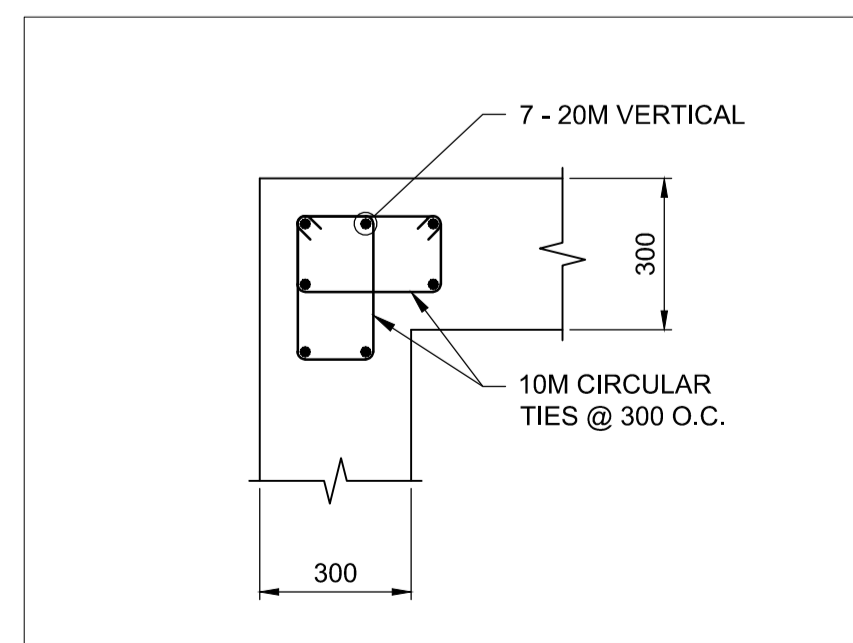
2 SECTION
S8 1:10



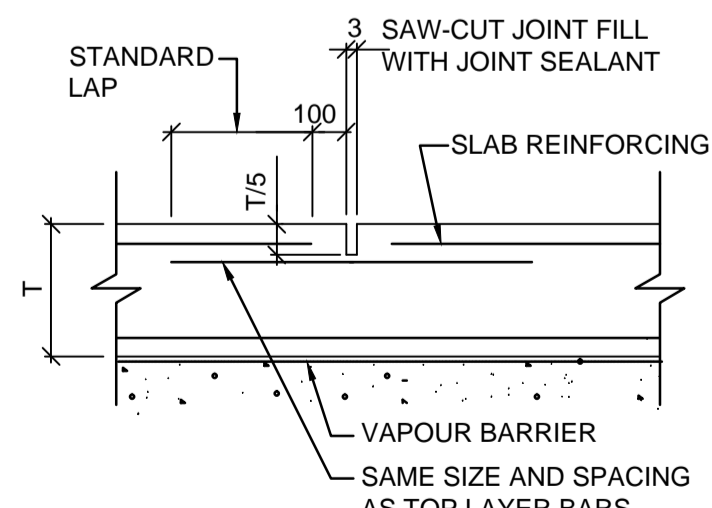
3 DETAIL
S8 1:15



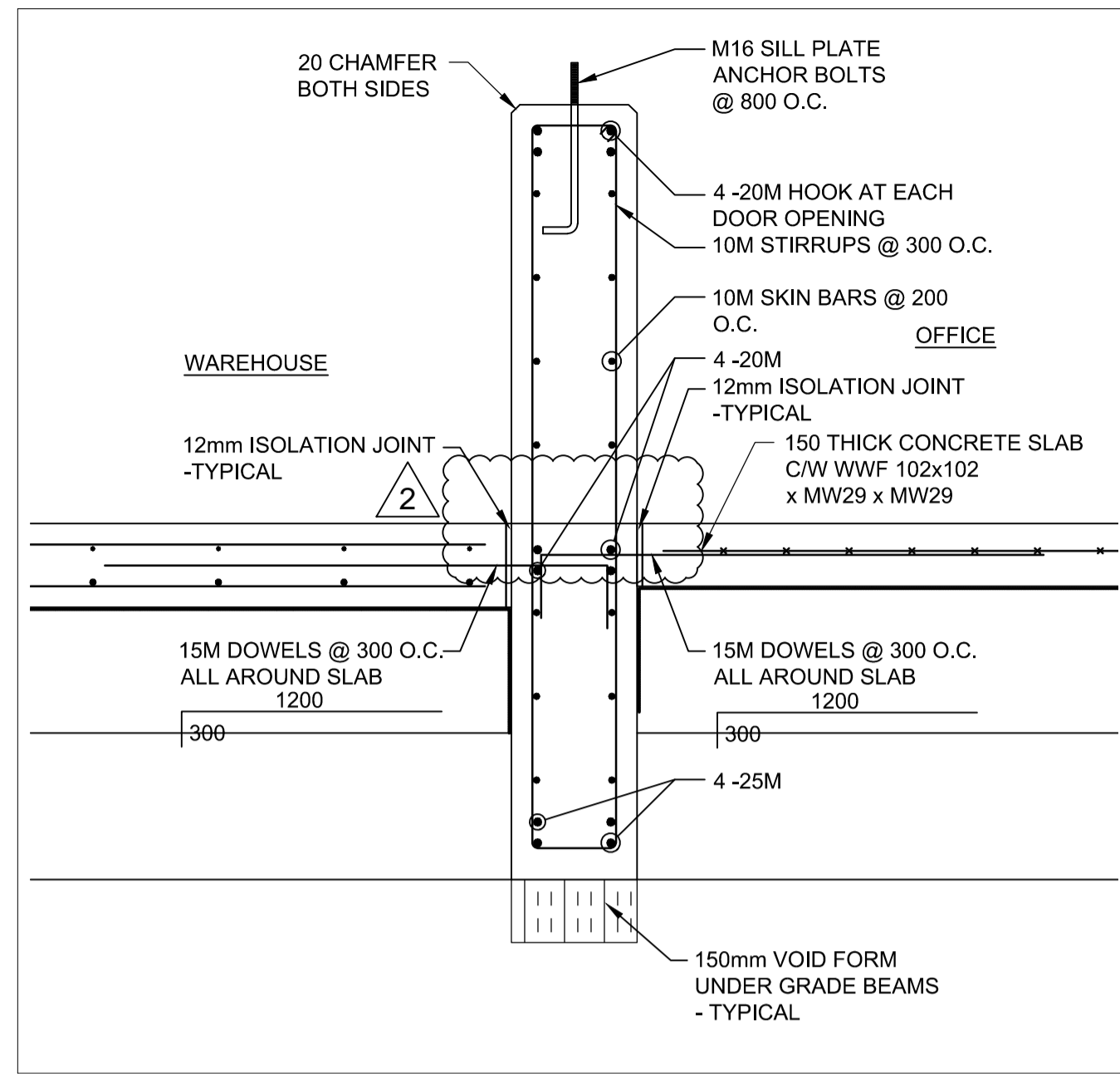
CAGE DETAIL
1:15
TYPICAL DETAIL AT COLUMNS C3, E3



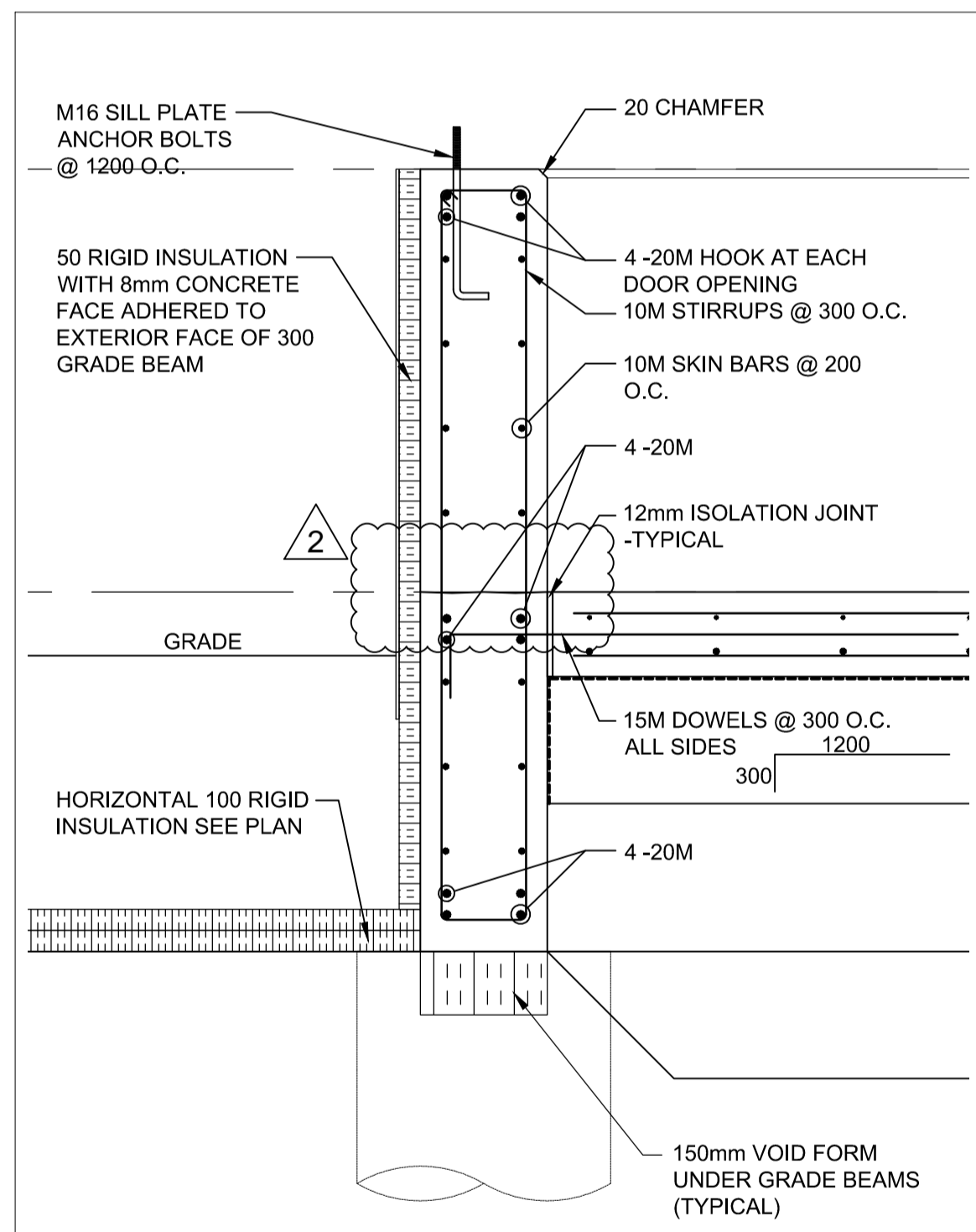
CAGE DETAIL
1:15
TYPICAL DETAIL AT COLUMNS B2, F2



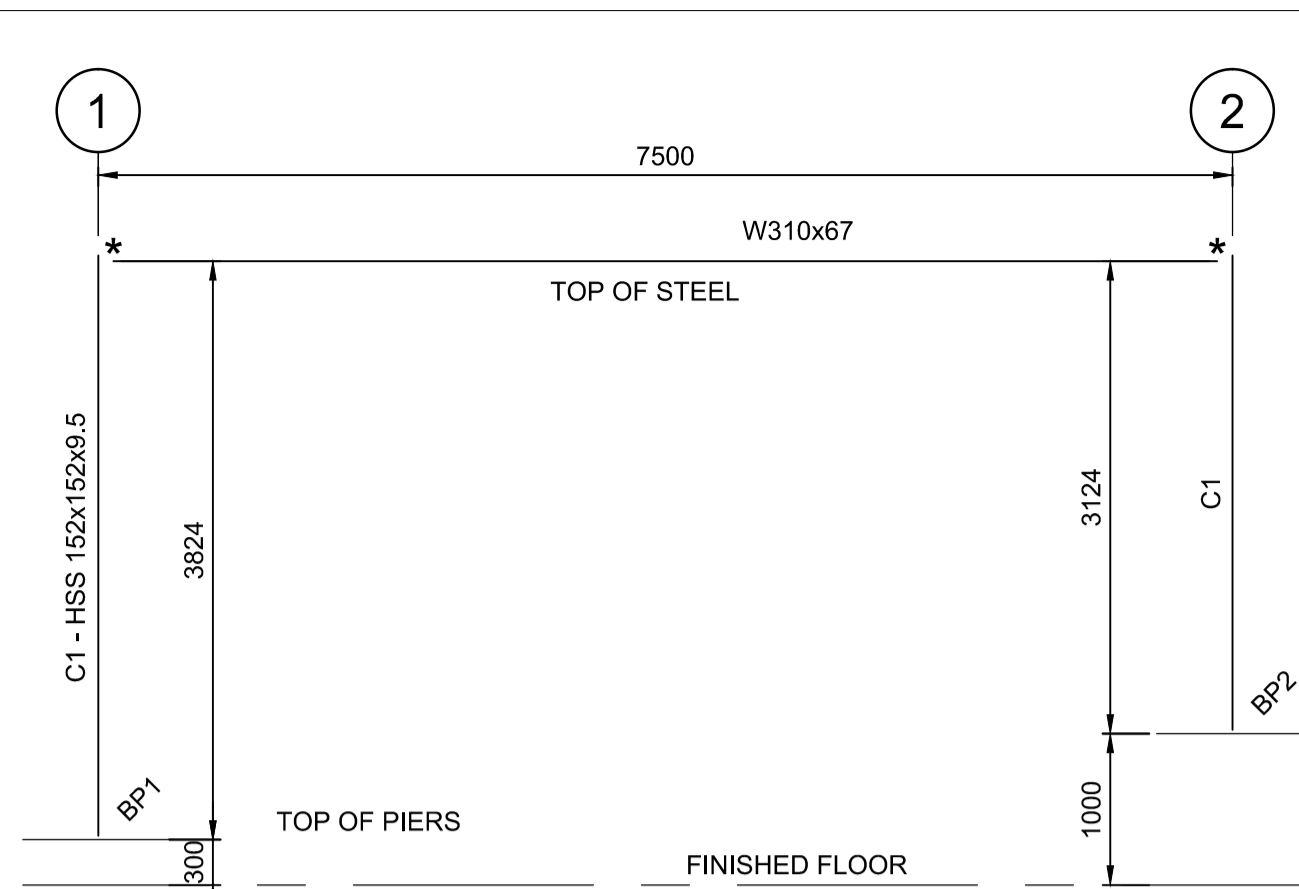
CONTROL JOINT
NOT TO SCALE



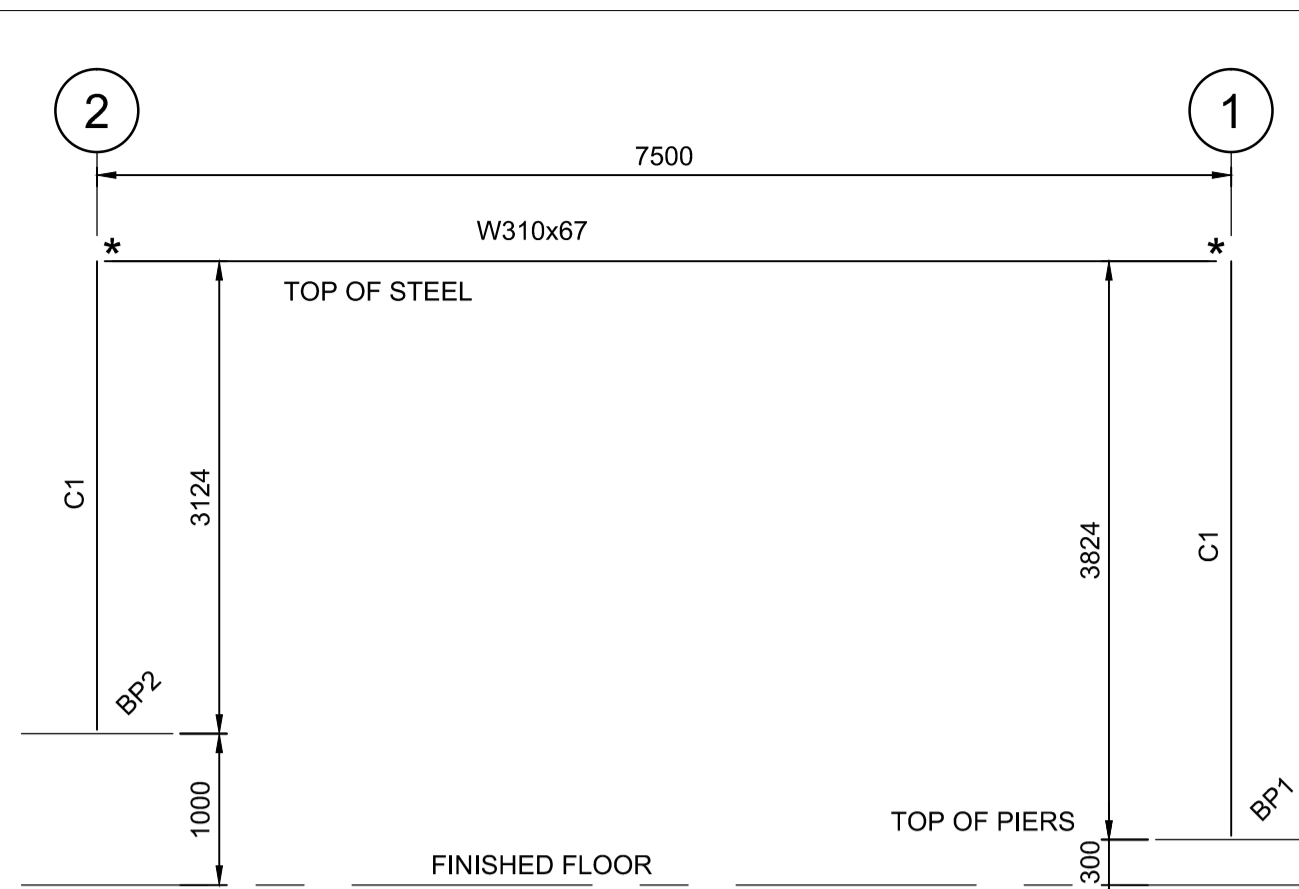
2 DETAIL
S8 1:15



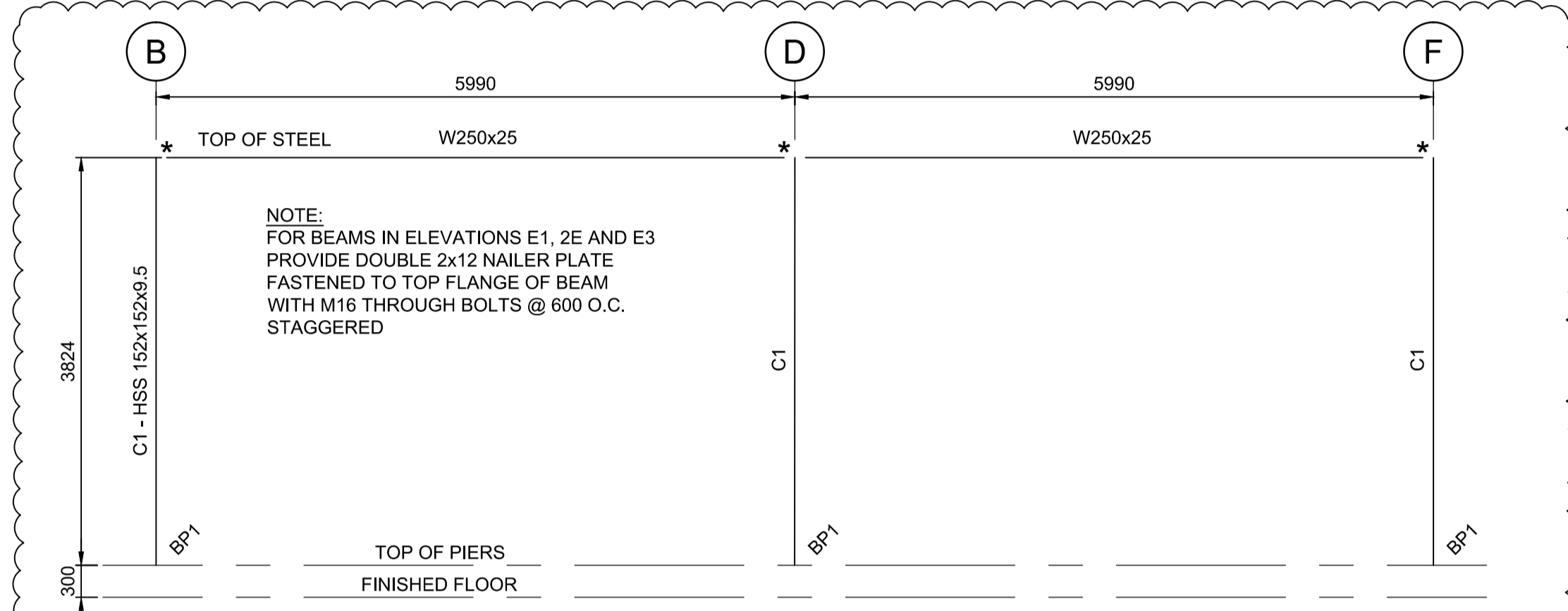
4 DETAIL
S8 1:15



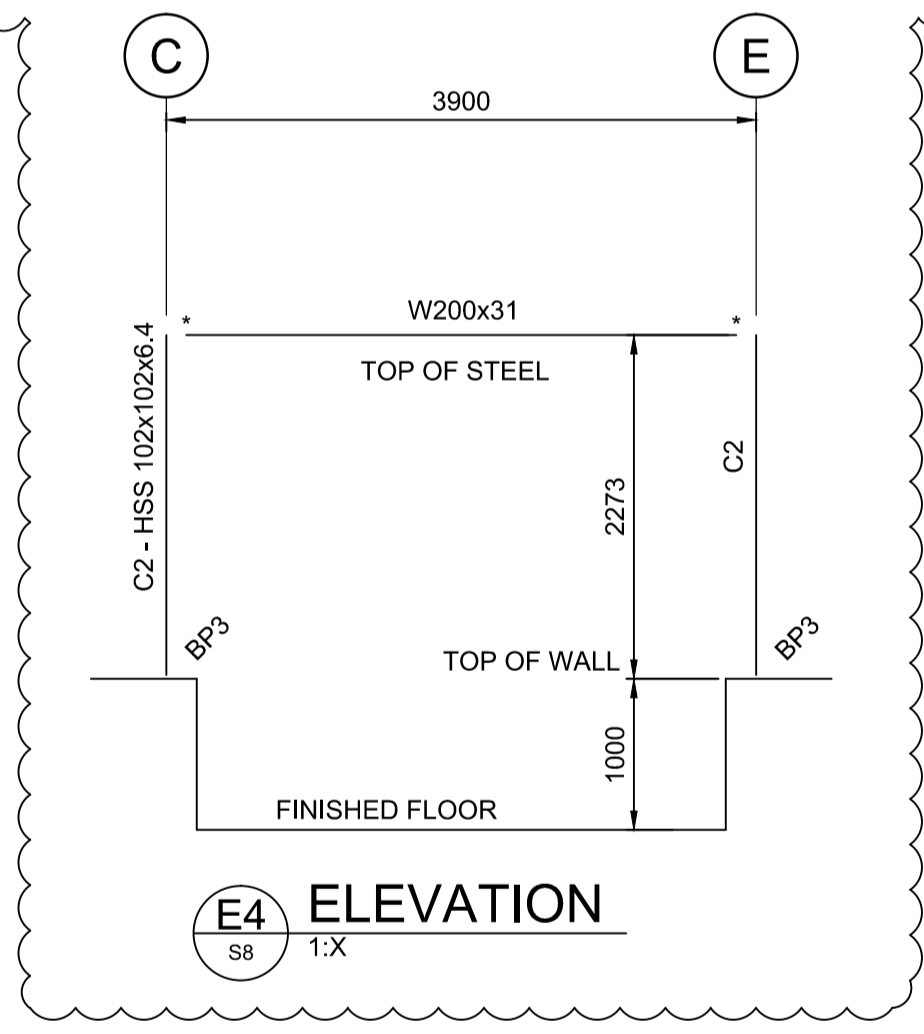
E1 ELEVATION
S8 1:X



E3 ELEVATION
S8 1:X



E2 ELEVATION
S8 1:X



E4 ELEVATION
S8 1:X

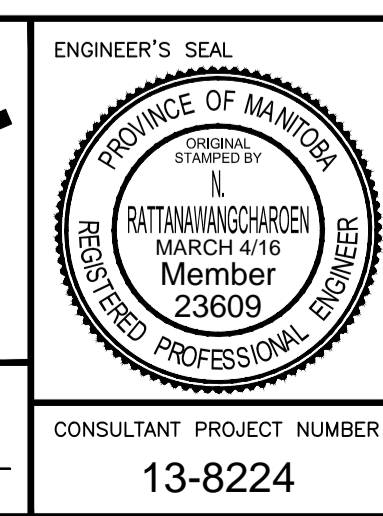
STEEL FRAMING ELEVATIONS
1:50

NOTE:
- ALL RIGID FRAME MOMENT CONNECTIONS ARE TO BE CONNECTED FOR A FACTORED MOMENT OF 25kNm.

METRIC
WHOLE NUMBERS INDICATE MILLIMETRES
DECIMALIZED NUMBERS INDICATE METRES



B.M. ELEV.	DESIGNED BY	WH
	DRAWN BY	PDR
	CHECKED BY	NR
	APPROVED BY	ARR
	HOR. SCALE	AS NOTED
	VERTICAL	
2 ISSUED FOR ADDENDUM # 1	DATE	16/03/14 ARR
1 ISSUED FOR TENDER	DATE	16/03/04 ARR
NO. REVISIONS	DATE	BY



THE CITY OF WINNIPEG
PUBLIC WORKS DEPARTMENT

4R WINNIPEG DEPOT
PACIFIC AVENUE

HHW EWASTE BUILDING,
DETAILS

CITY DRAWING NUMBER
1-0851A-S0010-001

SHEET 18 OF 43

CONSULTANT DRAWING NUMBER
S-10

CONSULTANT PROJECT NUMBER
13-8224

C:\projects\win\working_directory\active\4046\138224-09-STRUCT-CON-PACIFIC.dwg