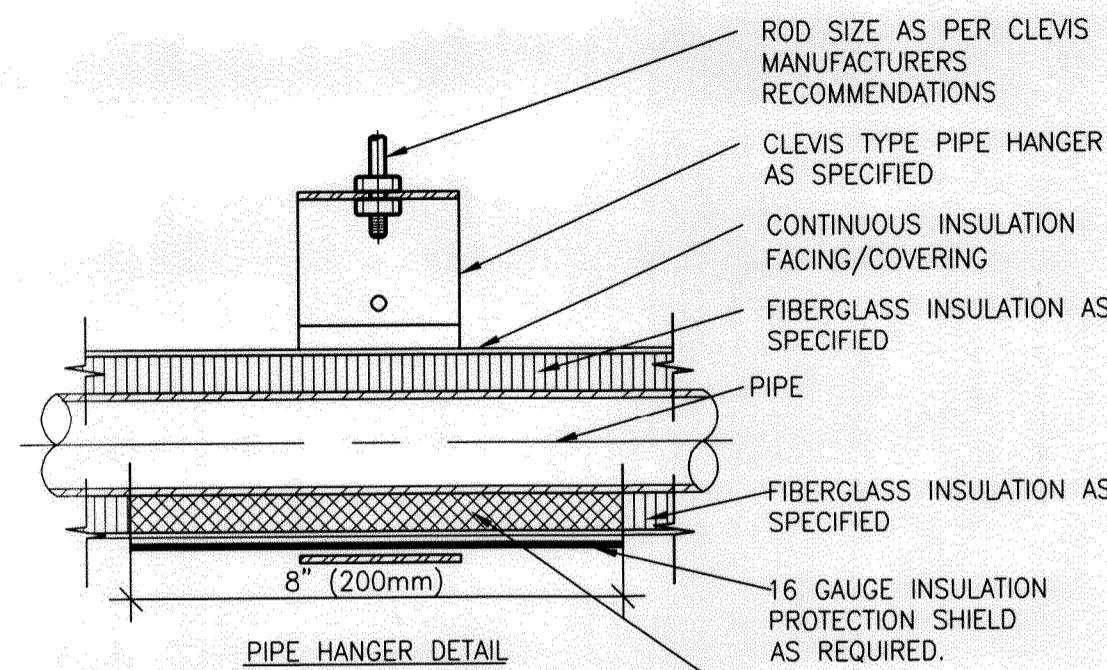
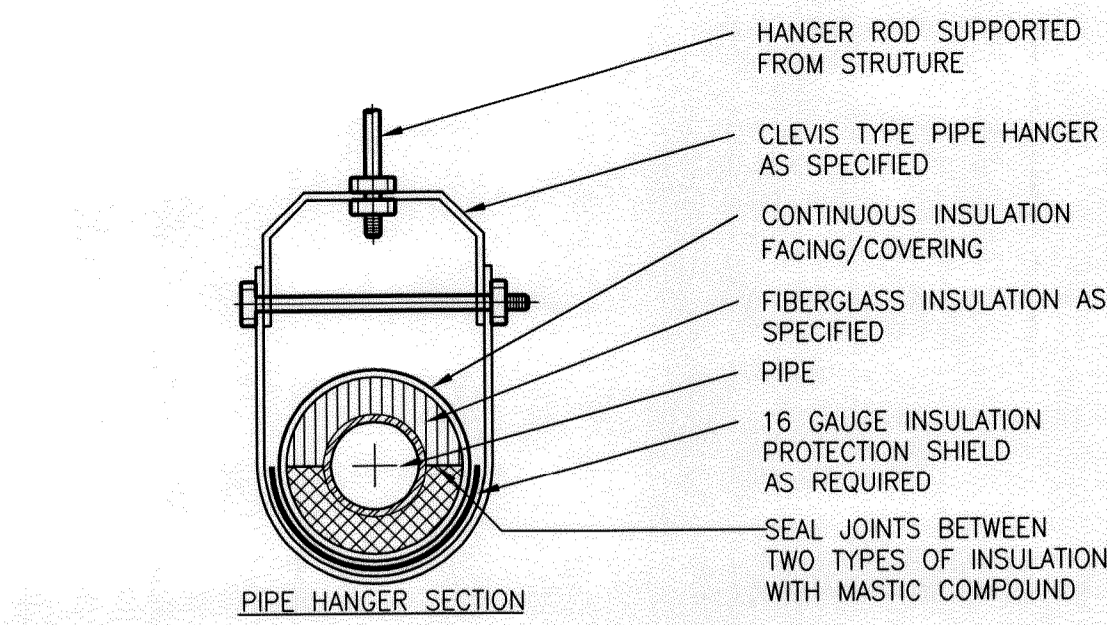
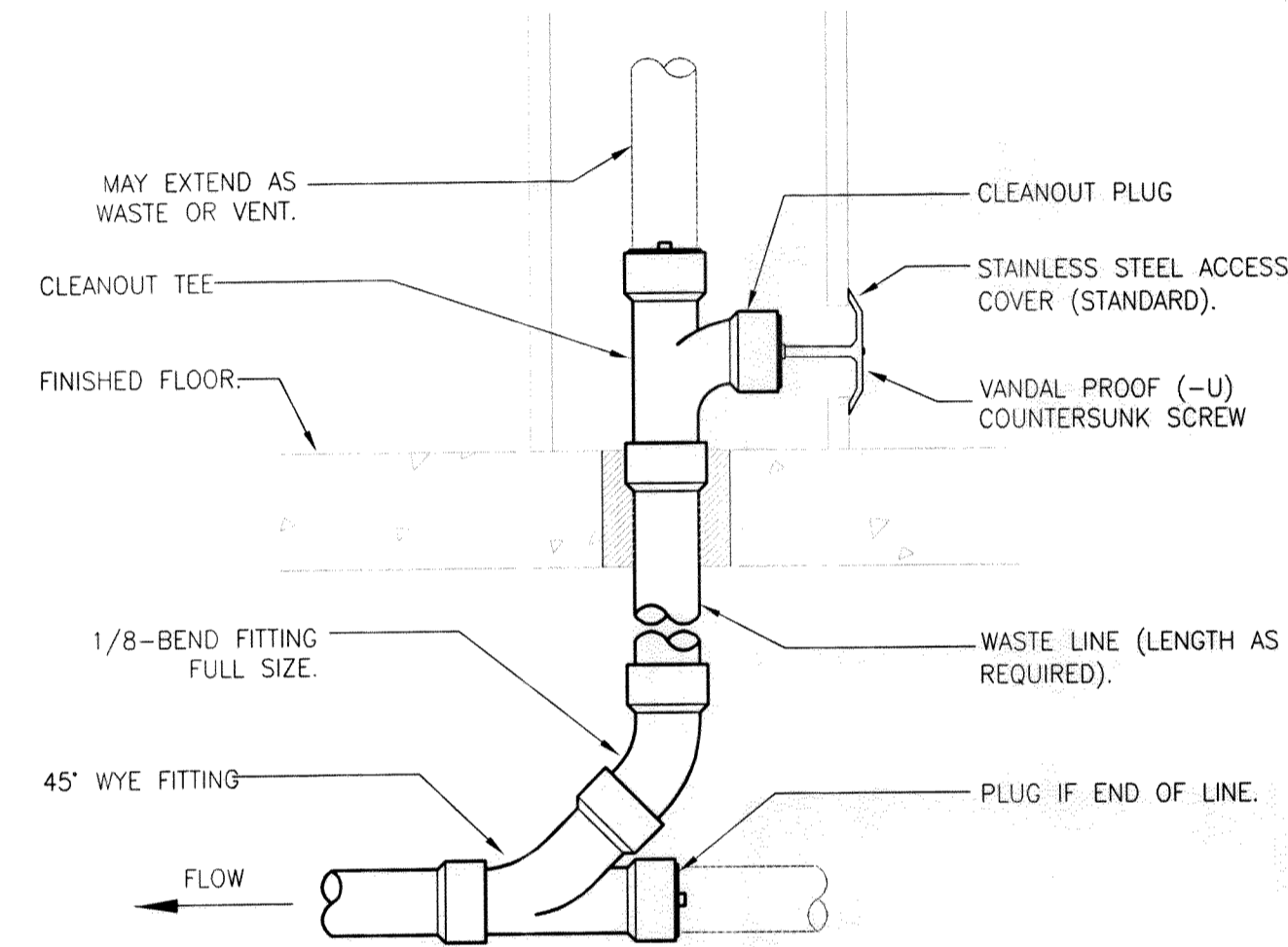


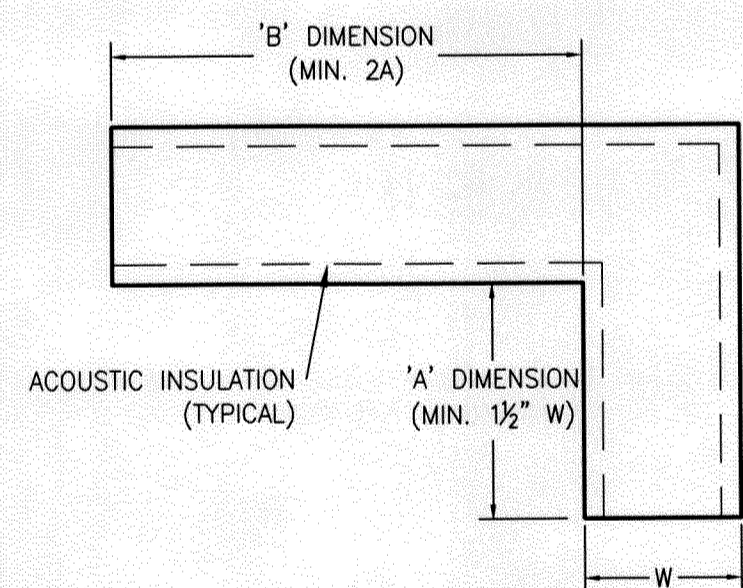
SANITARY DRAIN WALL CLEANOUT DETAIL
SCALE: N.T.S.



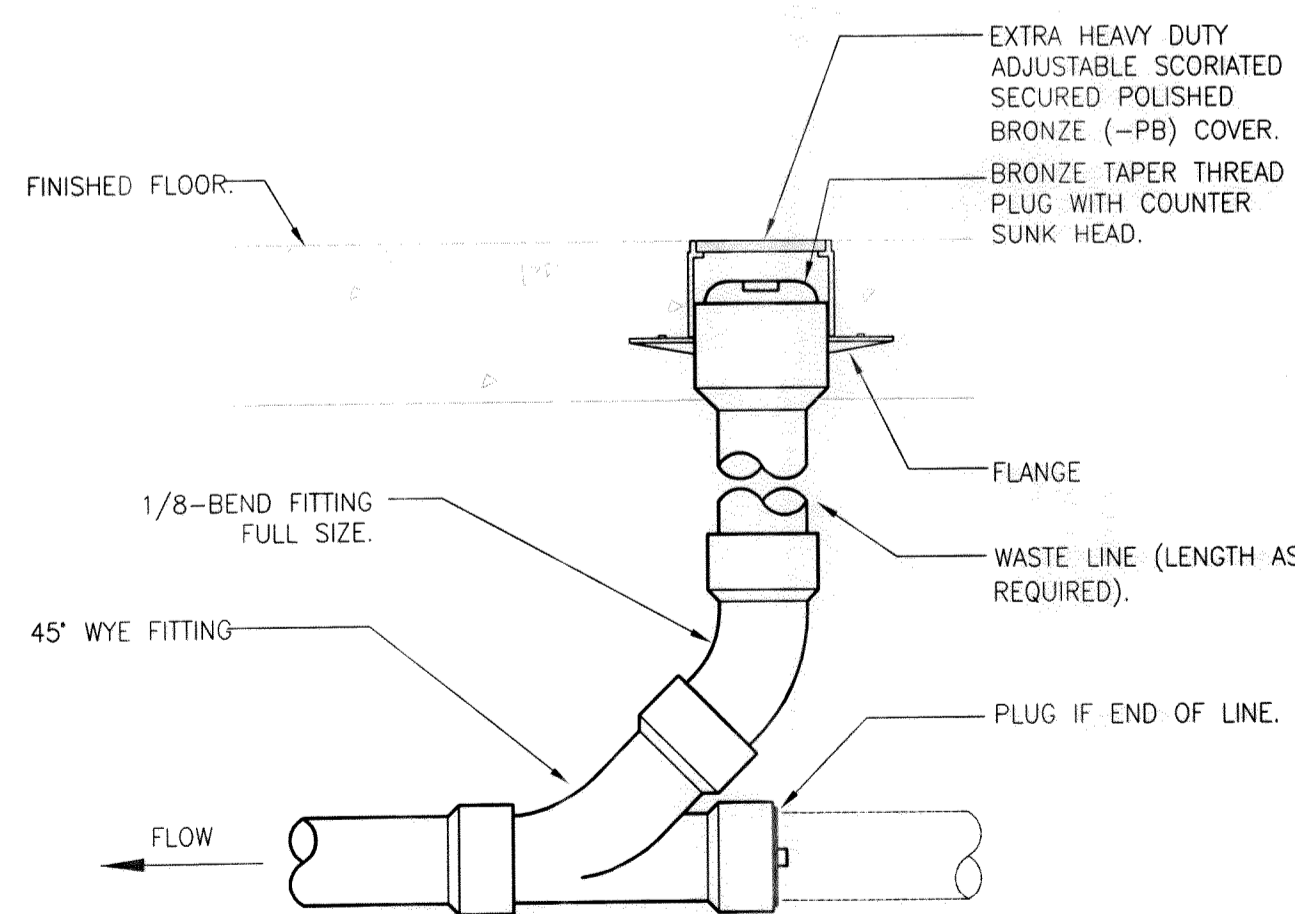
INSULATED PIPE HANGER DETAIL
N.T.S.



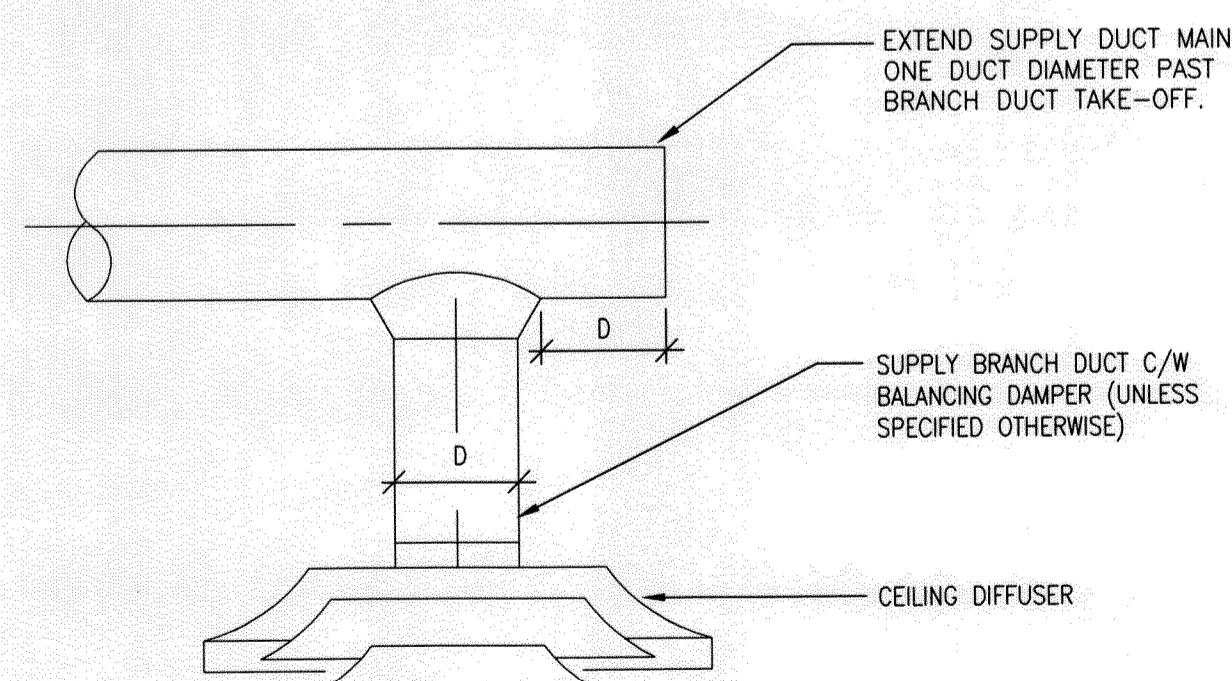
TYPICAL WALL CLEANOUT
SCALE: N.T.S.



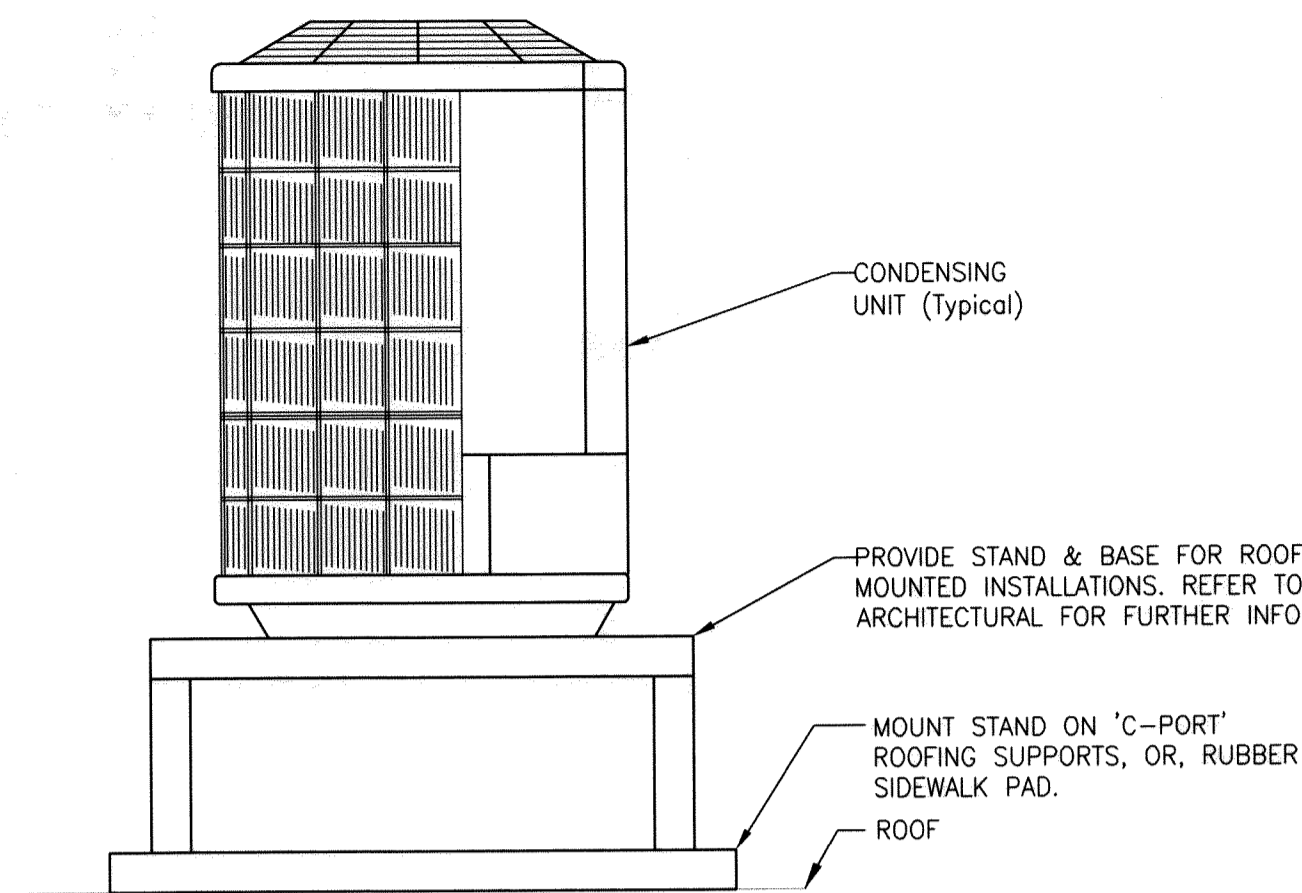
TRANSFER DUCT DETAIL
SCALE: N.T.S.



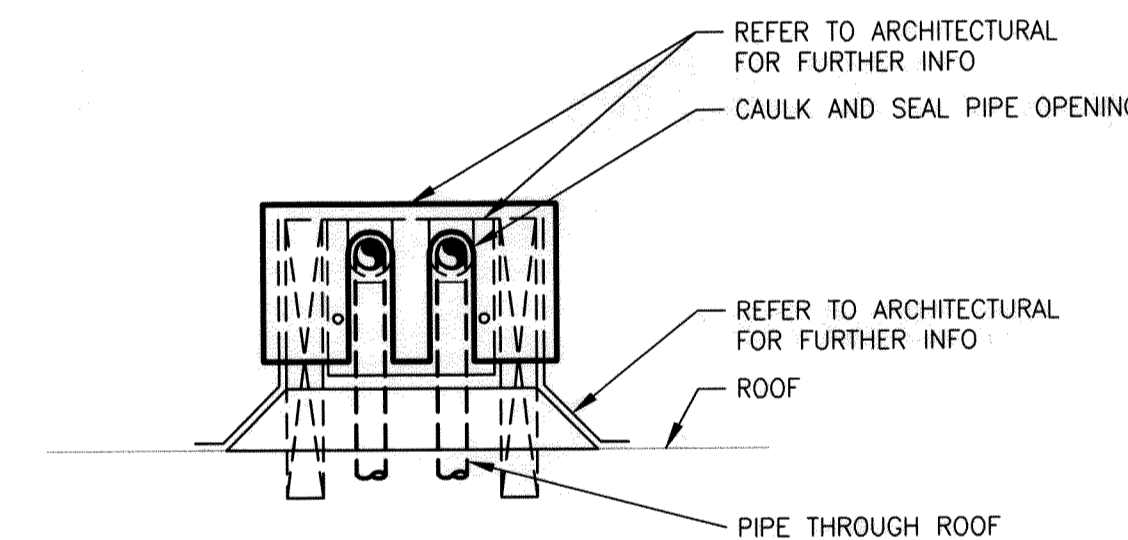
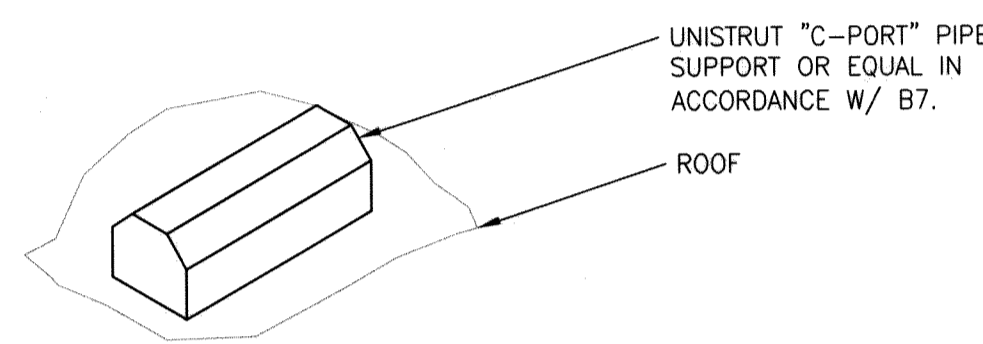
TYPICAL FLOOR CLEANOUT
SCALE: N.T.S.



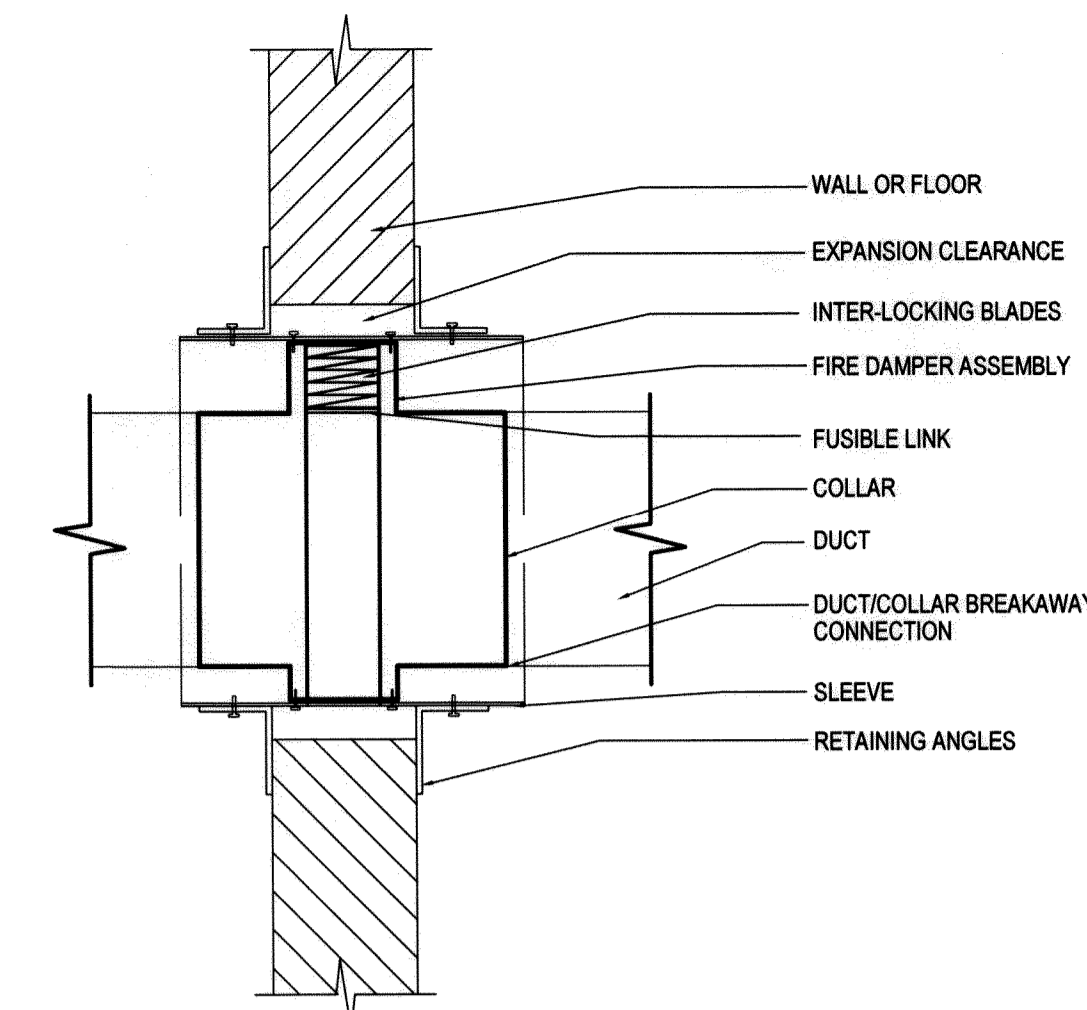
CUSHION HEAD CONSTRUCTION DETAIL
SCALE: N.T.S.



CONDENSING UNIT DETAIL (REFER TO ARCHITECTURAL FOR FURTHER INFO)
SCALE: N.T.S.

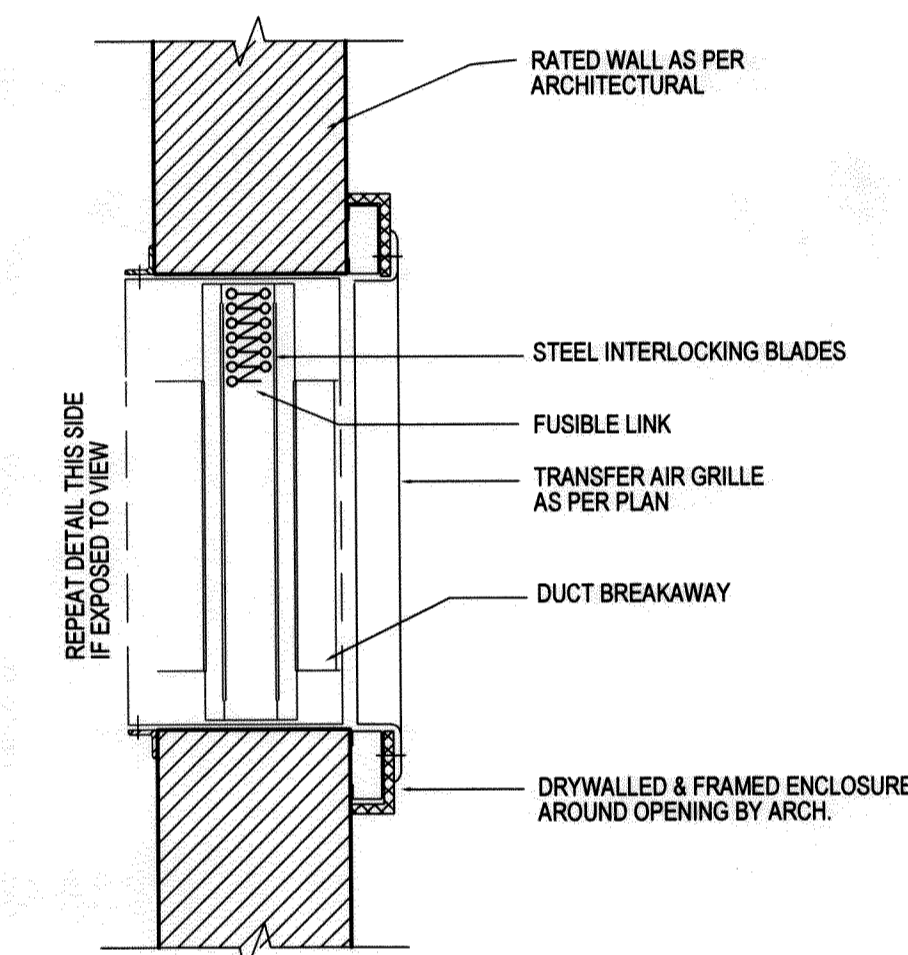


PIPE PENETRATION THROUGH ROOF DETAIL (REFER TO ARCHITECTURAL FOR FURTHER INFORMATION)
SCALE: N.T.S.



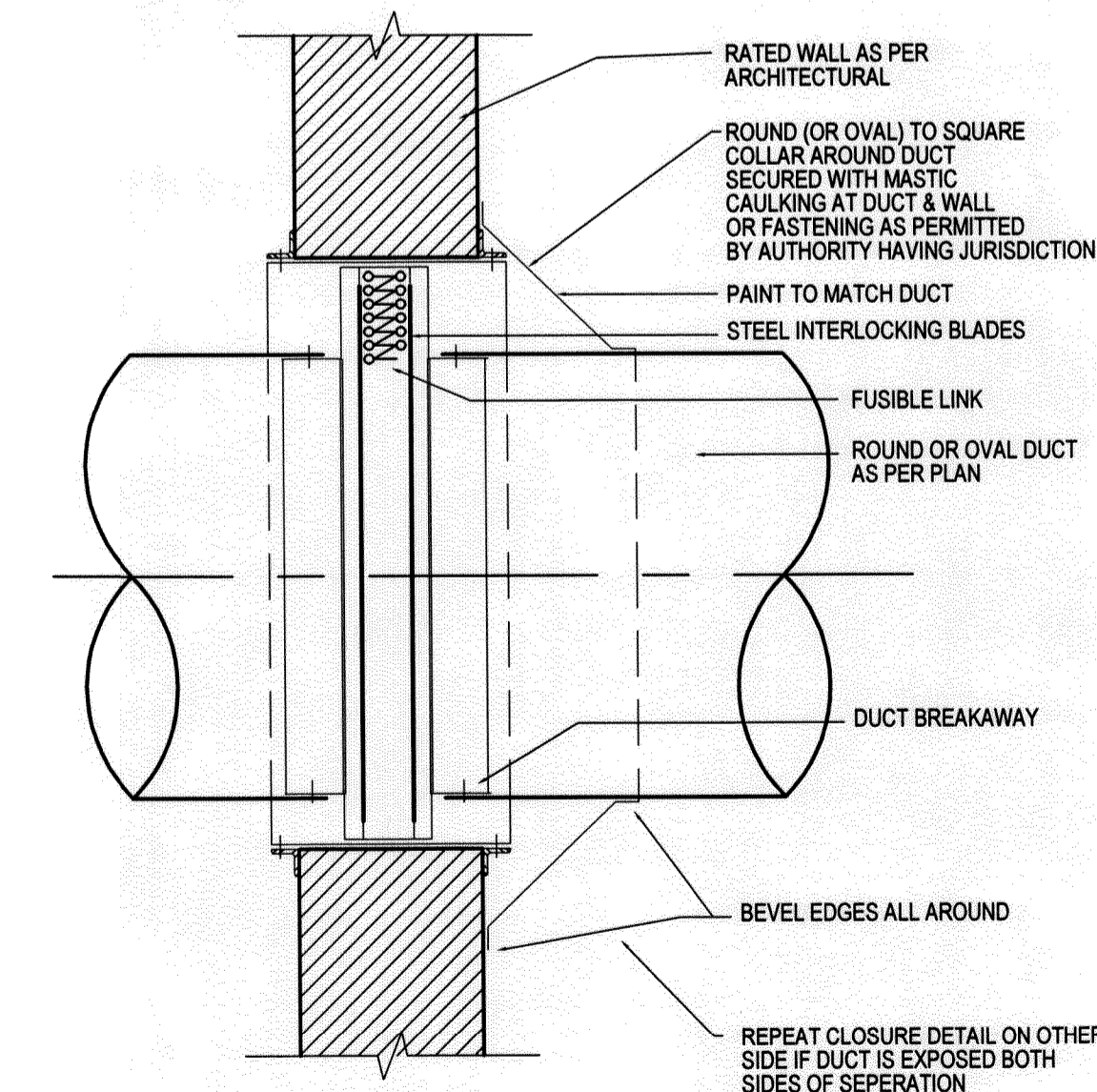
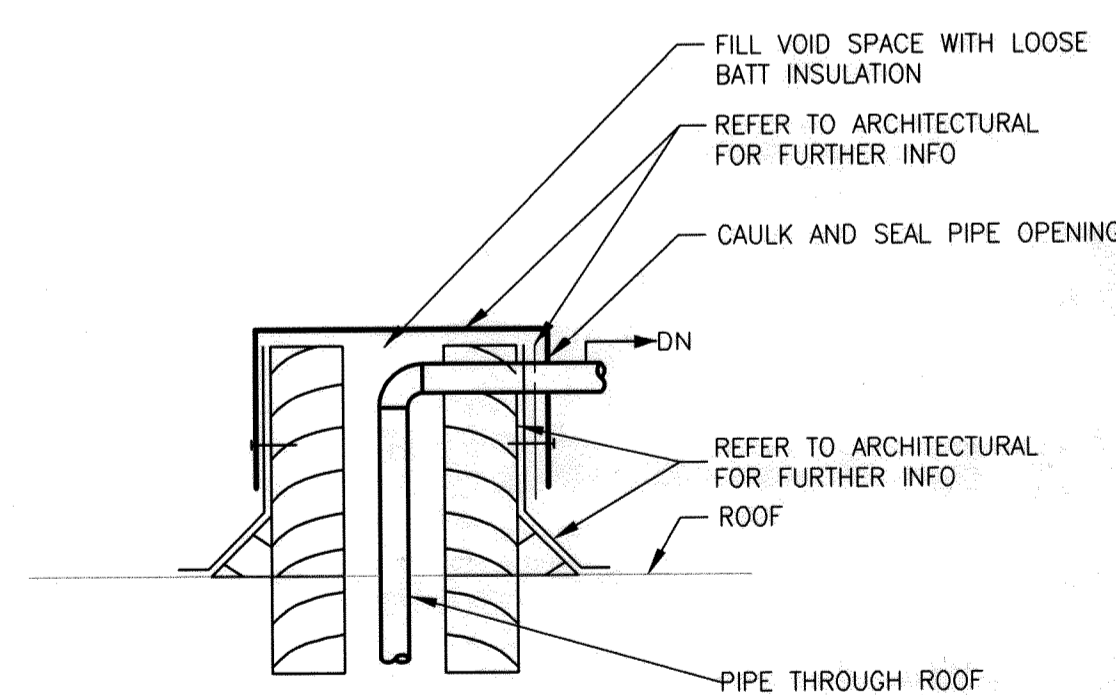
NOTES
FIRE DAMPER TO BE INSTALLED AS PER MANUFACTURER'S RECOMMENDATION.
DUCT/COLLAR BREAKAWAY CONNECTION TO BE APPROVED.

FIRE DAMPER DETAIL
SCALE: N.T.S.



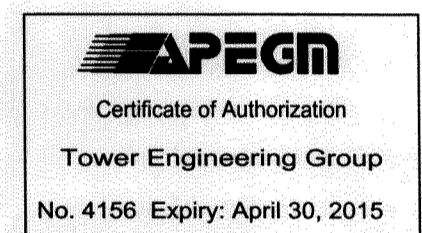
NOTES
FIRE DAMPER TO BE INSTALLED AS PER MANUFACTURER'S RECOMMENDATION.
DUCT/COLLAR BREAKAWAY CONNECTION TO BE APPROVED.

FIRE DAMPER DETAIL
SCALE: N.T.S.



NOTES
FIRE DAMPER TO BE INSTALLED AS PER MANUFACTURER'S RECOMMENDATION.
DUCT/COLLAR BREAKAWAY CONNECTION TO BE APPROVED.

FIRE DAMPER DETAIL
SCALE: N.T.S.



rev4 - 2014-09-29 - Issued for Construction
rev3 - 2014-08-01 - Issued for 95% Review
rev2 - 2014-06-27 - Issued for 75% Review
rev1 - 2014-04-30 - Issued for 30% Review revision

The drawings, specifications, revisions, addendums, and clarifications, must be read as a whole. Errors and omissions due to separation of the documents by the general contractor become the responsibility of the same.

This drawing must not be scaled.

The general Contractor must verify all dimensions, datums and levels prior to commencement of work. All errors and omissions must be reported immediately to the Architect.

Variations and modifications to work shown on this drawing shall not be carried out without written permission from the Architect.

TOWER PROJECT NO. -141033
TOWER ENGINEERING GROUP
UNIT 1 - 1140 WAVERLEY ST. WINNIPEG, MB R3T 0P4
TEL: (204) 925-1150 FAX: (204) 925-1155
EMAIL: towereng@towereng.ca WEB: www.towereng.ca
• WINNIPEG • CALGARY • CAMBRIDGE

harold funk architect inc.
Harold Funk Architect Inc.
Architecture and Urban Design
401-55 Donald Street, Winnipeg, Manitoba R3C 1L8
T (204) 943-5087 info@funkarchitect.com
F (204) 949-9231 funkarchitect.com

project
WESTON MEMORIAL COMMUNITY CENTRE - INTERIOR RENOVATION
WINNIPEG, MANITOBA

sheet title
MECHANICAL DETAILS

project number: 14-004 drawing number: **M-3.0**
scale: AS SHOWN
drawn by: JRR
approved by: JC
date: September 30, 2014