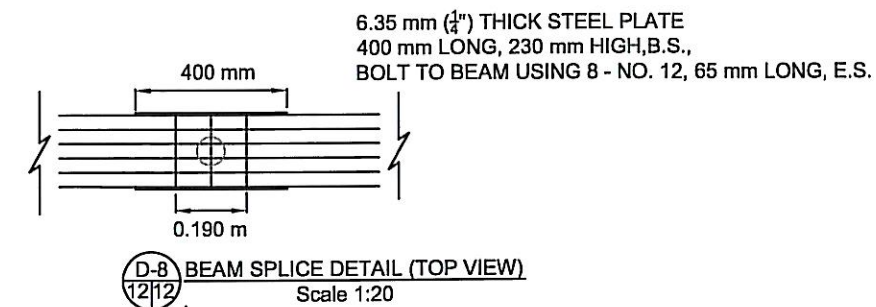
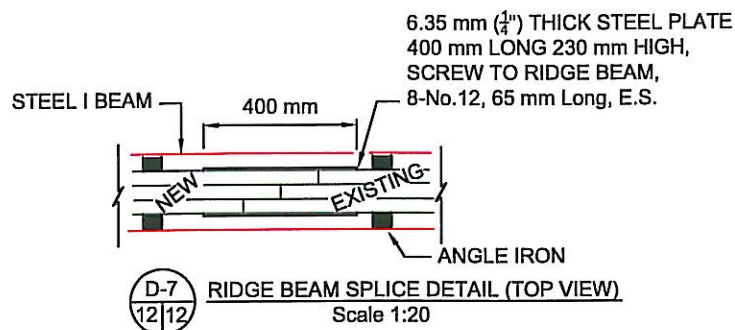
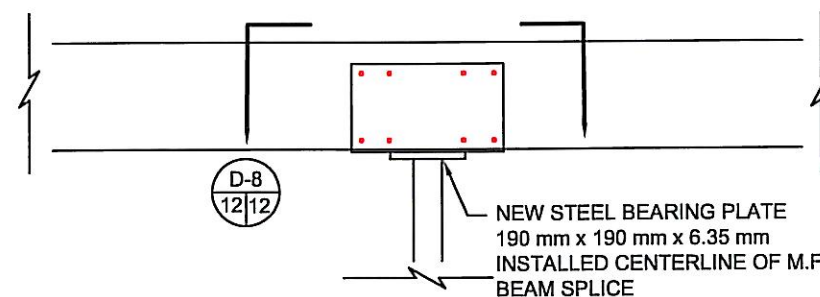
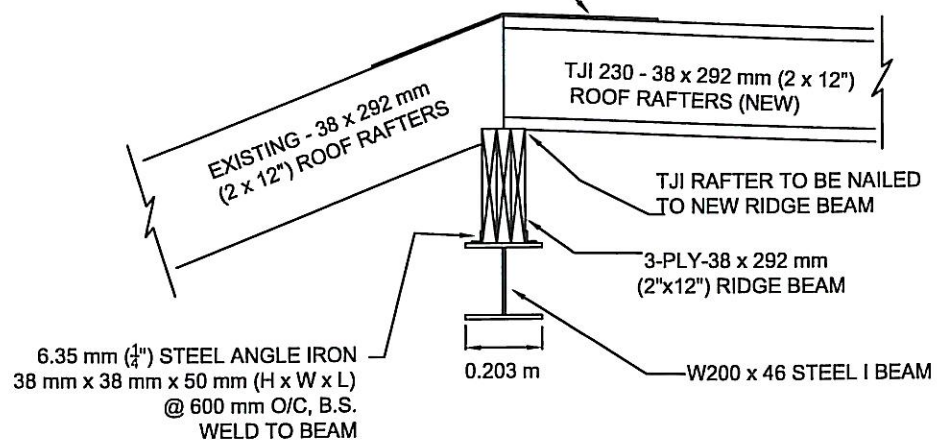


**D-6** ROOF RESTRUCTURING DETAIL  
9/12 Scale 1:50

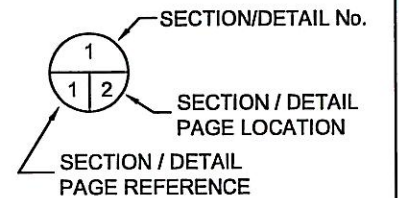


NAIL STRAP TO BE FASTEN TO EXISTING ROOF RAFTER AND NEW TJI ROOF RAFTER AS PER MANUFACTURER



**S-4** CROSS-SECTION OF TELEPOST  
5/12 Scale 1:20

**LEGEND**



**NOTES**

NO.	DATE	ISSUE / REVISION
0	MAR. 31/14	Permit/Construction

**ENG-TECH** CONSULTING LIMITED  
6 - 854 Marion Street  
Winnipeg, MB R2J 0K4  
Phone: (204) 233-1694  
Fax: (204) 235-1579

ENG. STAMP:



**APCGN**  
Certificate of Authorization  
ENG-TECH Consulting Limited  
No.2475 Expiry: April 30, 2014

CLIENT: CITY OF WINNIPEG

PROJECT: BUILDING RELOCATION - 70 MACBELL ROAD WINNIPEG, MANITOBA

DWG DESCRIPTION: ROOF AND FLOOR JOISTS SUPPORT AND SPLICING DETAILS

SCALE: AS SHOWN

DRAWN BY: TDR DATE: MARCH 2014

FILE No.: 11-217-06 CLIENT DWG/FIG. No.:

ENG-TECH DWG/FIG. No.: 12 NO.: