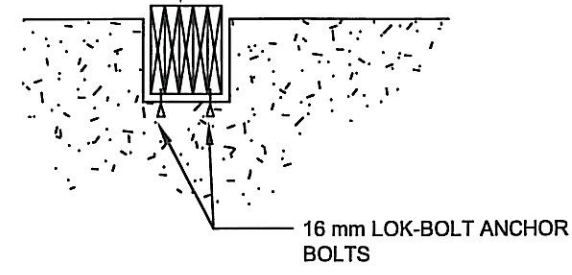
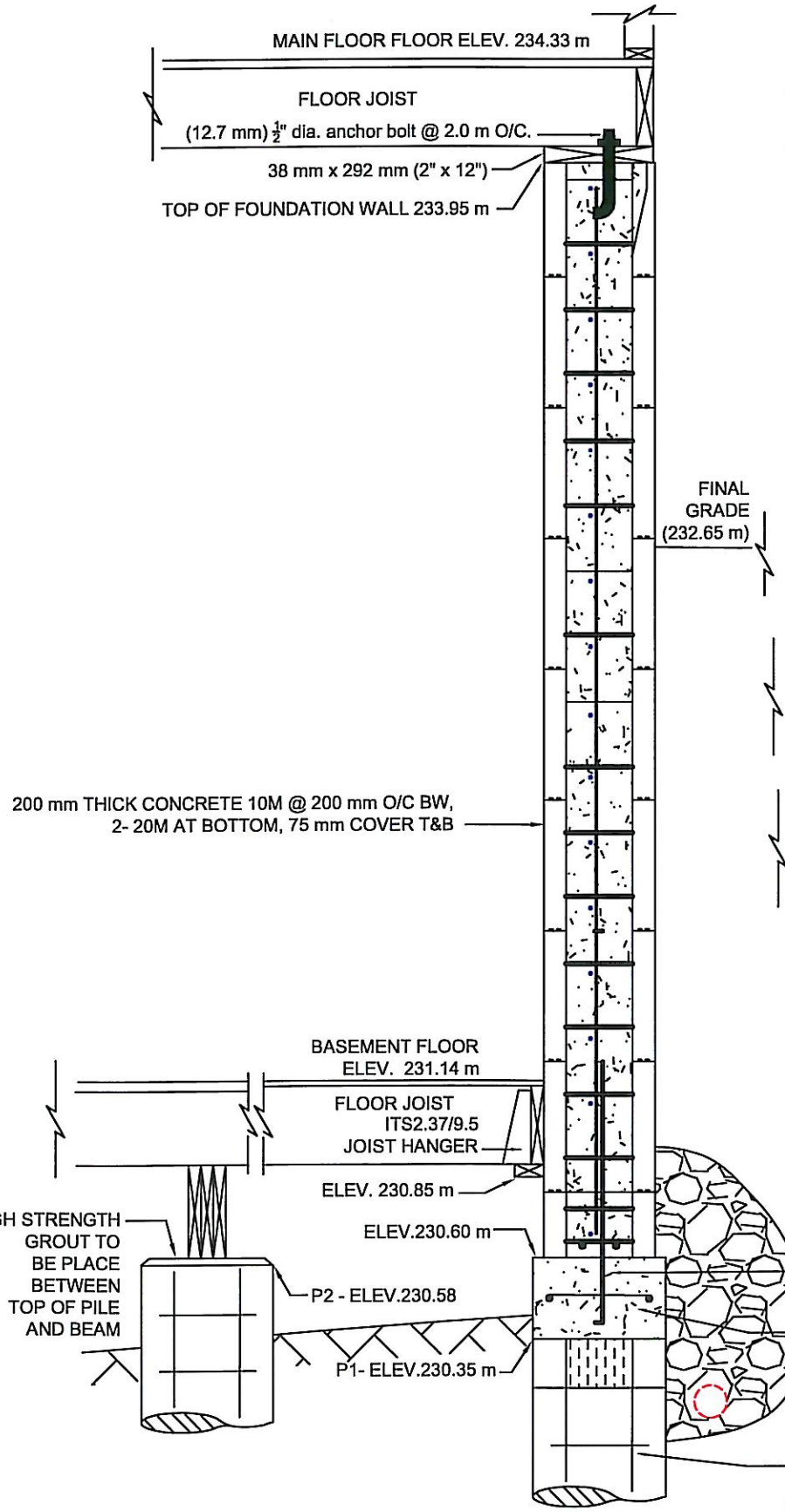
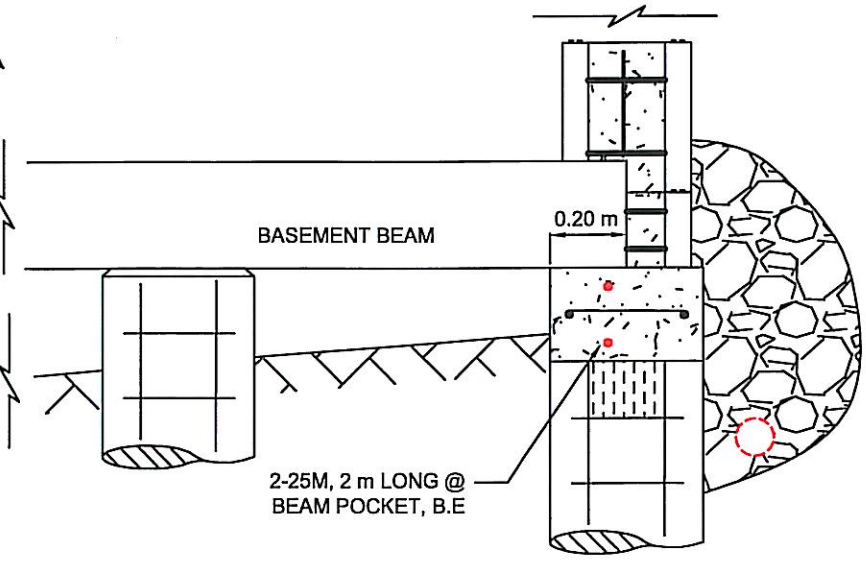


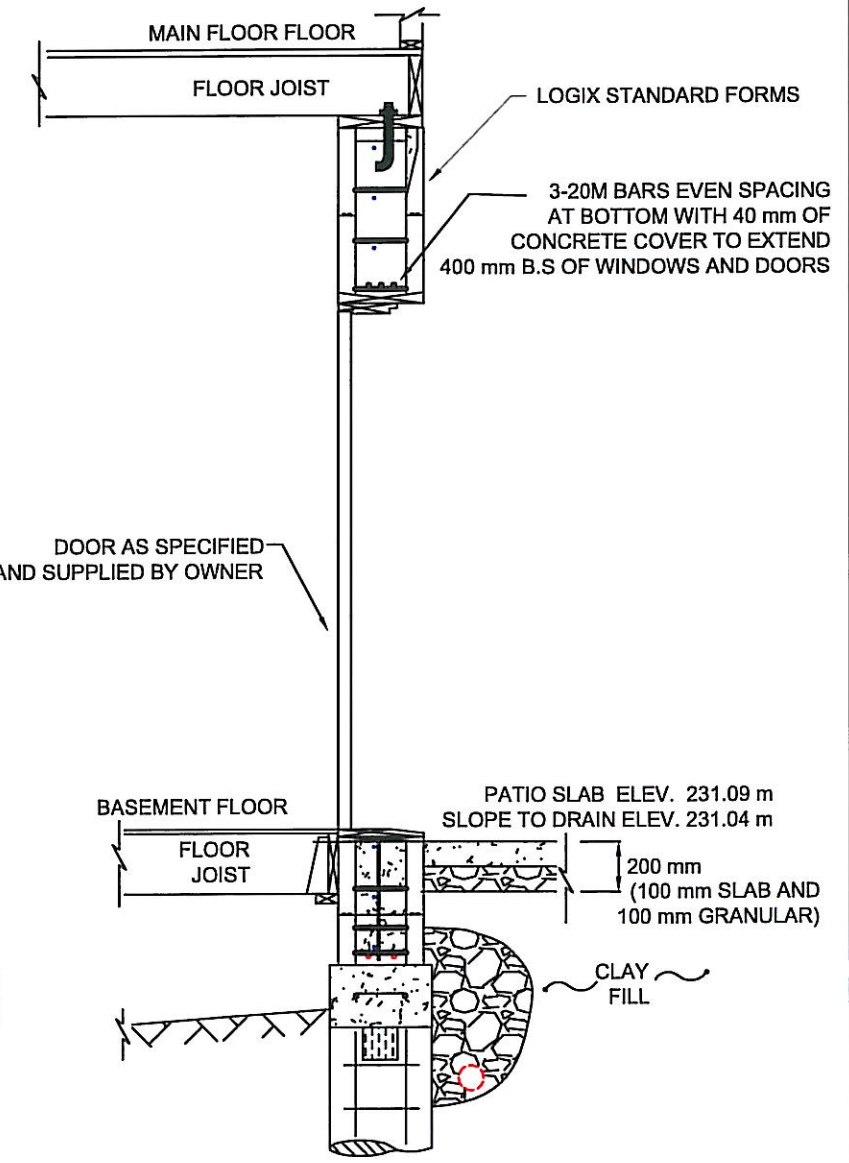
EXISTING 5 PLY FIR BEAM TO BE PRESERVED WITH A WOOD SEALER, OR HAVE 12 mm (1/2") CLEARANCE AROUND ALL EDGES FOR WATER DRAINAGE. BEAM TO BE NOTCHED A MINIMUM OF 150 mm INTO CONCRETE OF FOUNDATION WALL



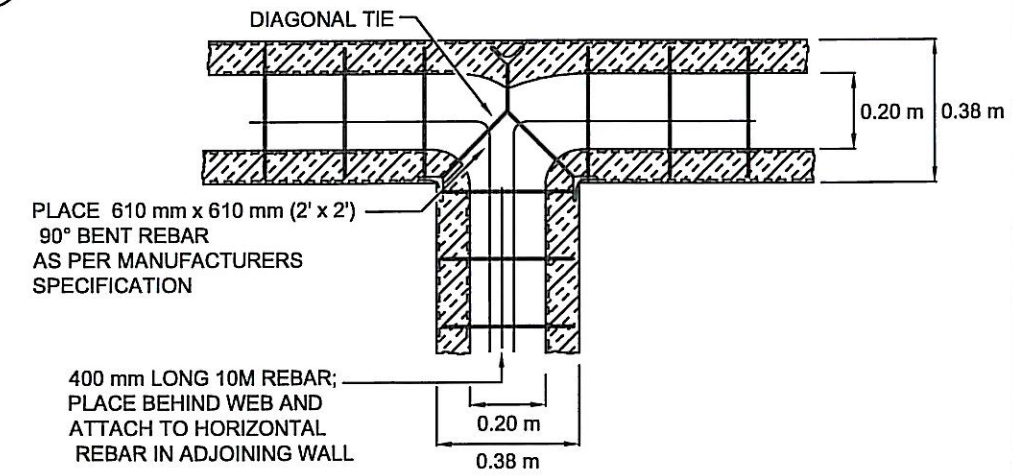
D-4 MAIN FLOOR BEAM DETAIL (NORTH SIDE)
 Scale 1:20



D-3 BASEMENT BEAM POCKET DETAIL
 Scale 1:20



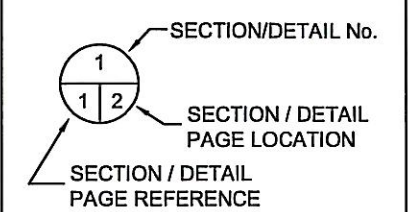
S-3 PATIO DOOR AND WINDOW FOUNDATION DETAIL
 Scale 1:30



D-5 ICF FOUNDATION T-WALL EXTRA REINFORCE DETAIL
 Scale 1:20

S-6 ICF FOUNDATION WALL DESIGN DETAIL (TYP.)
 Scale 1:20

LEGEND



NOTES

1. ICF FOUNDATION WALL DETAILS TO FOLLOW LOGIX INSULATED FORM WORK 2012 DESIGN MANUAL.

NO.	DATE	ISSUE / REVISION
0	MAR. 31/14	Permit/Construction

ENG-TECH CONSULTING LIMITED
 6 - 854 Marion Street
 Winnipeg, MB R2J 0K4
 Phone: (204) 233-1694
 Fax: (204) 235-1579

ENG. STAMP:

 C.D. HRYHORUK
 PROFESSIONAL ENGINEER

APEN
 Certificate of Authorization
 ENG-TECH Consulting Limited
 No. 2475 Expiry: April 30, 2014

CLIENT: **CITY OF WINNIPEG**

PROJECT: **BUILDING RELOCATION - 70 MACBELL ROAD WINNIPEG, MANITOBA**

DWG DESCRIPTION: **ICF FOUNDATION WALL DESIGN DETAILS**

SCALE: **AS SHOWN**

DRAWN BY: **TDR** DATE: **MARCH 2014**

FILE No.: **11-217-06** CLIENT DWG/FIG. No.:

ENG-TECH DWG/FIG. No.: **11** NO.: