

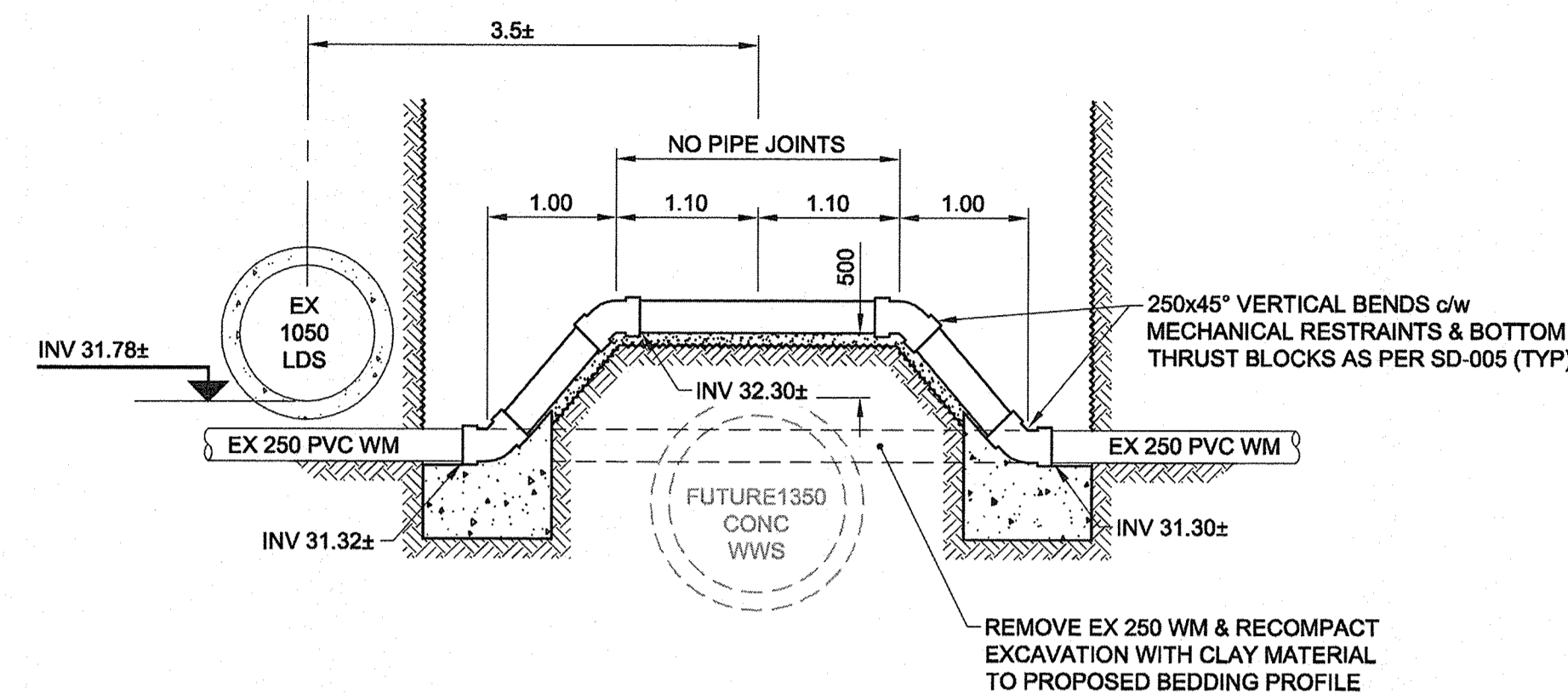
HYDRAULIC CEMENT GROUT	EXPOXY GROUT
d = BAR DIA. +20mm	d AND L _e IN ACCORDANCE WITH MANUFACTURER'S PRINTED SPECIFICATIONS
L _e : 10M - 150mm	
15M - 200mm	
20M - 250mm	
25M - 300mm	

LAP TABLE	
BAR	LAP
10M	500
15M	700
20M	870

d = REINFORCING BAR DIAMETER
L_e = LENGTH OF REINFORCING BAR

NOTES:

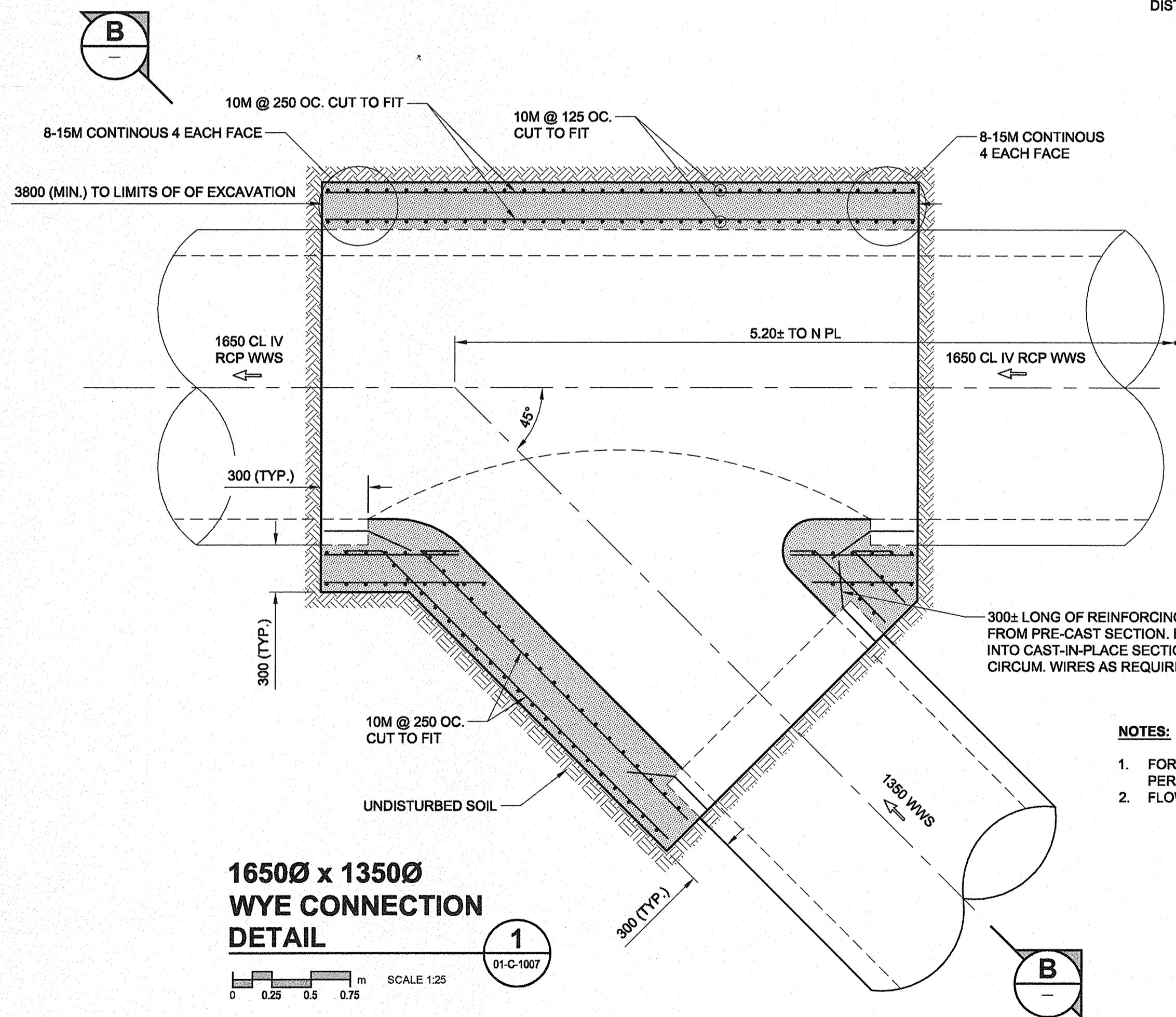
1. DRILL HOLE OF DIAMETER AND DEPTH AS REQUIRED.
2. CLEAN HOLE OF DUST & DEBRIS.
3. FILL HOLE WITH DOWELLING GROUT.
4. INSTALL REINFORCING BAR & WIPE AWAY GROUT.
5. SECURE DOWEL BAR FIRMLY IN POSITION & DO NOT DISTURB BAR FOR 3 HOURS AFTER INSTALLATION.



DETAIL 2

SCALE 1:50

250 WM RELOCATION OVER 1350 CONC WWS AT INKSBROOK DRIVE

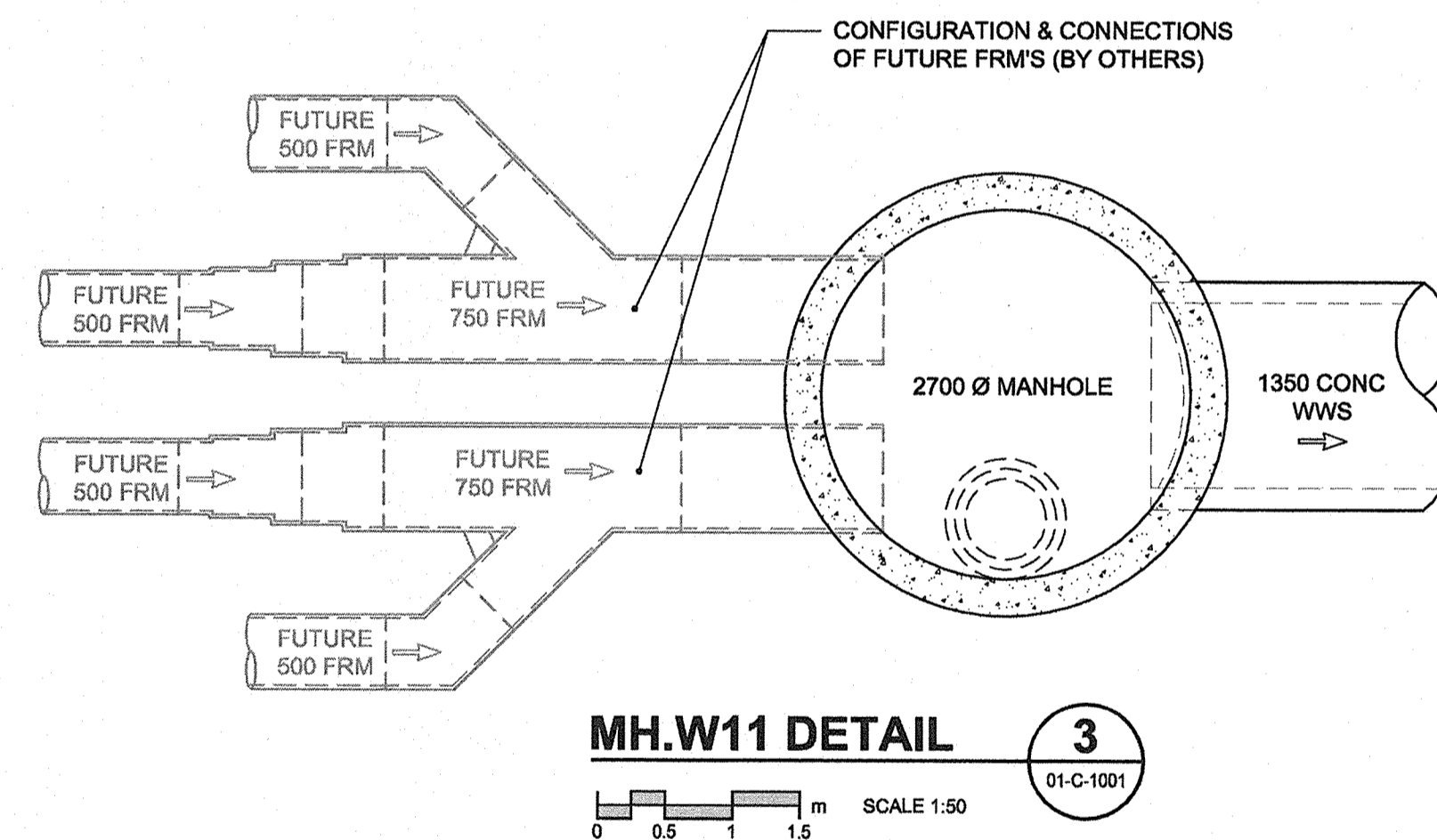


1650Ø x 1350Ø WYE CONNECTION DETAIL

SCALE 1:25

NOTES:

1. FORMWORK, REINFORCING STEEL & CONCRETE AS PER CW 2160.
2. FLOW CONTROL AS PER CW 2130.



MH.W11 DETAIL 3

SCALE 1:50

METRIC
WHOLE NUMBERS INDICATE MILLIMETRES
DECIMALIZED NUMBERS INDICATE METRES

APEGM
Certificate of Authorization
AECOM Canada Ltd.
No. 4671 Date: June 20, 2014

BID OPPORTUNITY NO. 481-2014

LOCATION APPROVED UNDERGROUND STRUCTURES

SUPR. U/G STRUCTURES DATE COMMITTEE

NOTE:
LOCATION OF UNDERGROUND STRUCTURES AS SHOWN ARE BASED ON THE BEST INFORMATION AVAILABLE. BUT NO GUARANTEE IS GIVEN THAT ALL EXISTING UTILITIES ARE SHOWN OR THAT THE GIVEN LOCATIONS ARE EXACT. CONFIRMATION OF EXISTENCE AND EXACT LOCATION OF ALL SERVICES MUST BE OBTAINED FROM THE INDIVIDUAL UTILITIES BEFORE PROCEEDING WITH CONSTRUCTION.

NO.	REVISIONS	YY/MM/DD	BY
0	ISSUED FOR TENDER	14/06/25	Wjd

AECOM

DESIGNED BY FMI
DRAWN BY KMB
HOR. SCALE AS NOTED
VERT. SCALE AS NOTED
DATE

CHECKED BY
APPROVED BY
RELEASED FOR CONSTRUCTION
DATE

PROFESSIONAL'S SEAL
PROVINCE OF MANITOBA
REGISTERED PROFESSIONAL ENGINEER
CONSULTANT DRAWING NO.
60223051_01-C-4001_RX.dwg

THE CITY OF WINNIPEG WATER AND WASTE DEPARTMENT

NORTH-WEST INTERCEPTOR SEWER

INKSTER BOULEVARD MISCELLANEOUS DETAILS

SHEET 8 OF 8
CITY DRAWING NUMBER
10740
REV 0