

General Notes

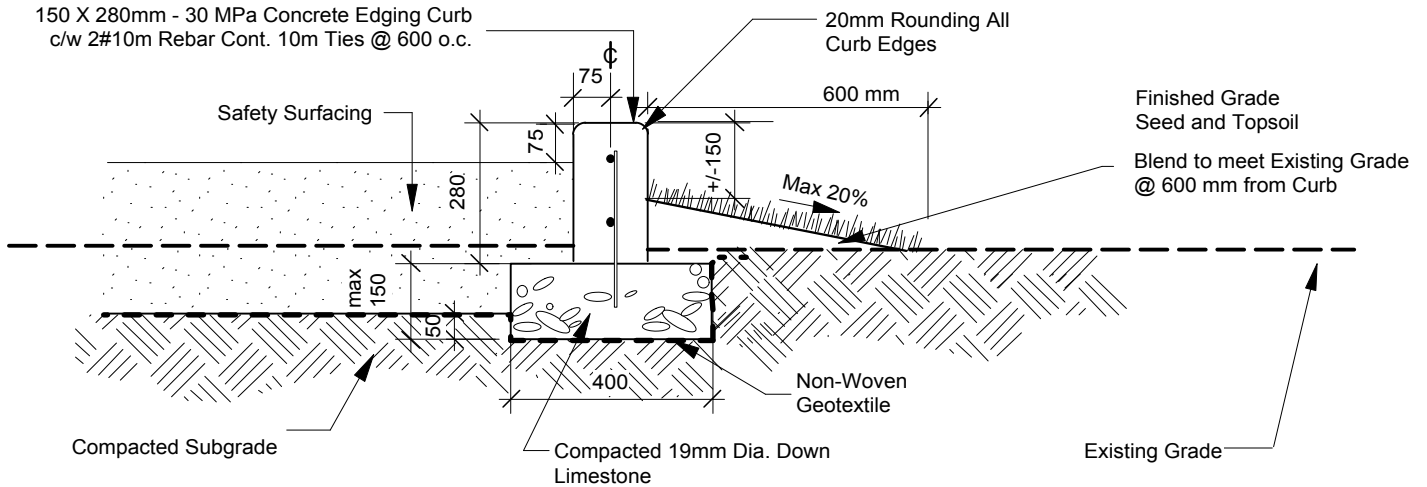
1. All concrete edging must be chamfered.
2. Concrete must be smooth on all sides.
3. Concrete to be placed as per CW 3310.

Drawing Title:

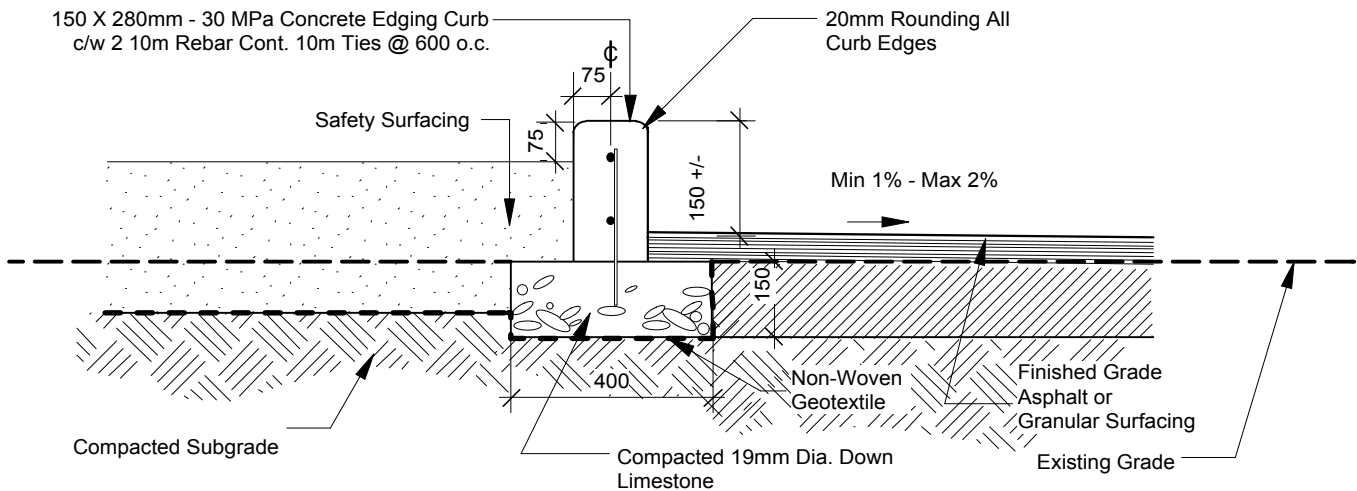
CONCRETE PLAYSURFACE EDGING DETAIL

Drawing No:

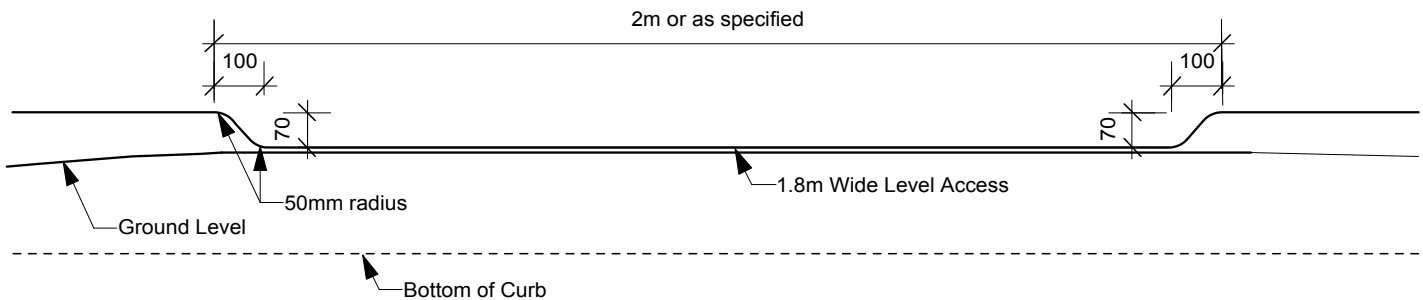
SCD-643



CROSS SECTION - SOD EDGE



CROSS SECTION - HARD SURFACE EDGE



CURB ACCESSIBLE ENTRANCE

DIMENSIONS SHOWN ARE IN MILLIMETRES UNLESS OTHERWISE SPECIFIED

REVISION: 2
 DATE: January 3, 2013
 SCALE: NTS
 DRAWN BY: SP

The City of Winnipeg
 Planning, Property and Development Department
 Planning and Land Use Division
 Unit 15 - 30 Fort Street, Winnipeg, MB, R3C 4X5

