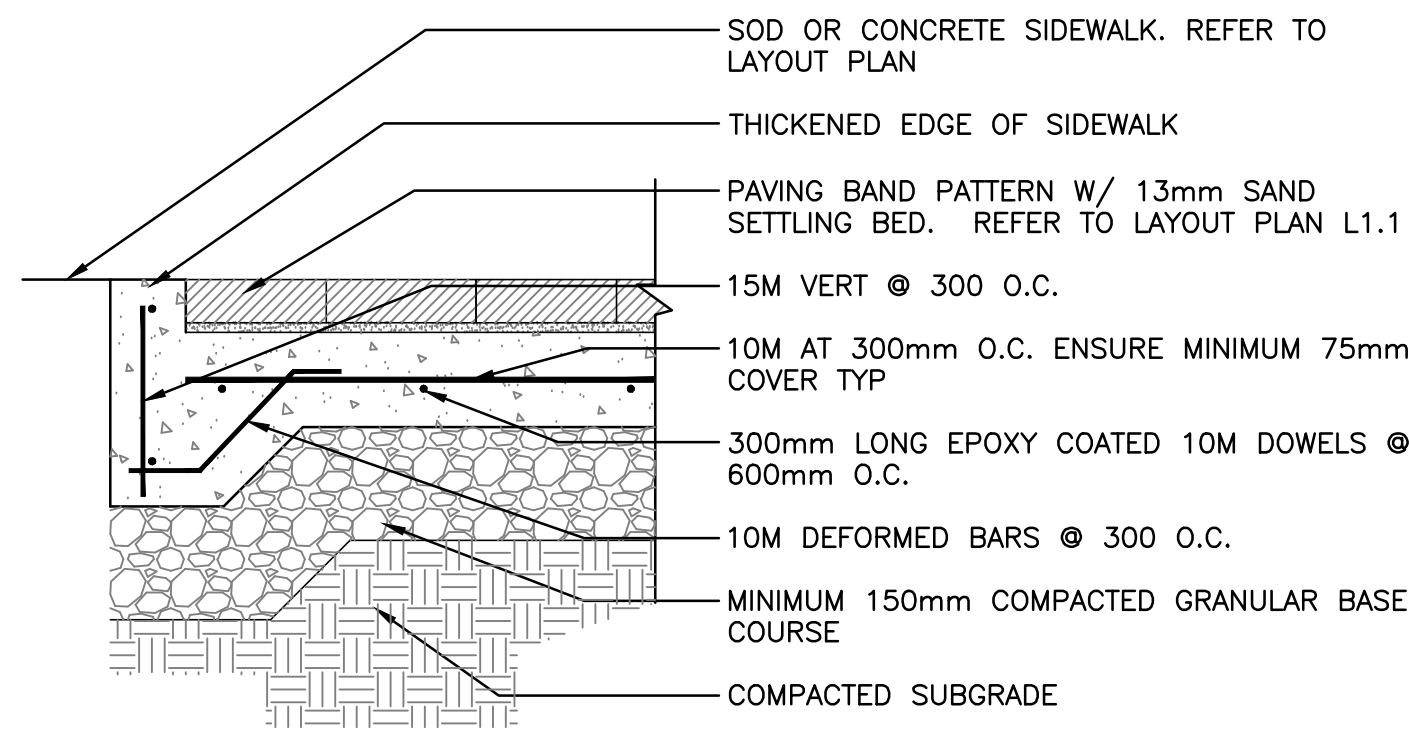
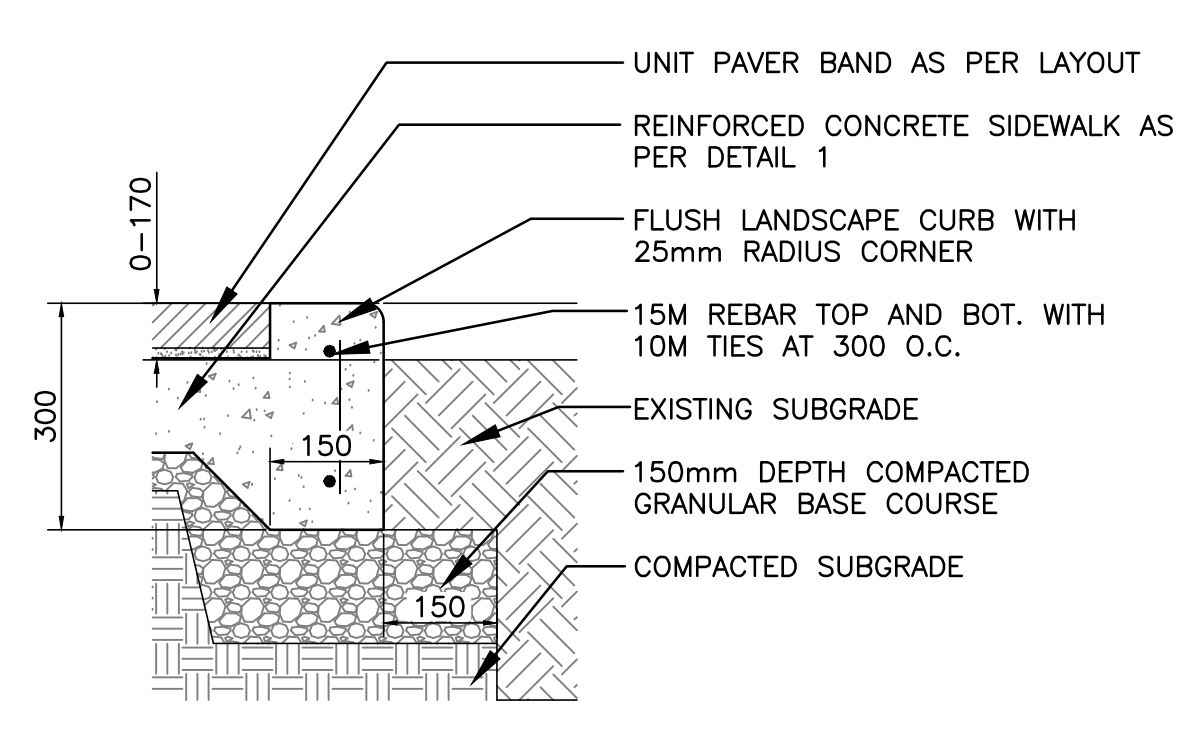


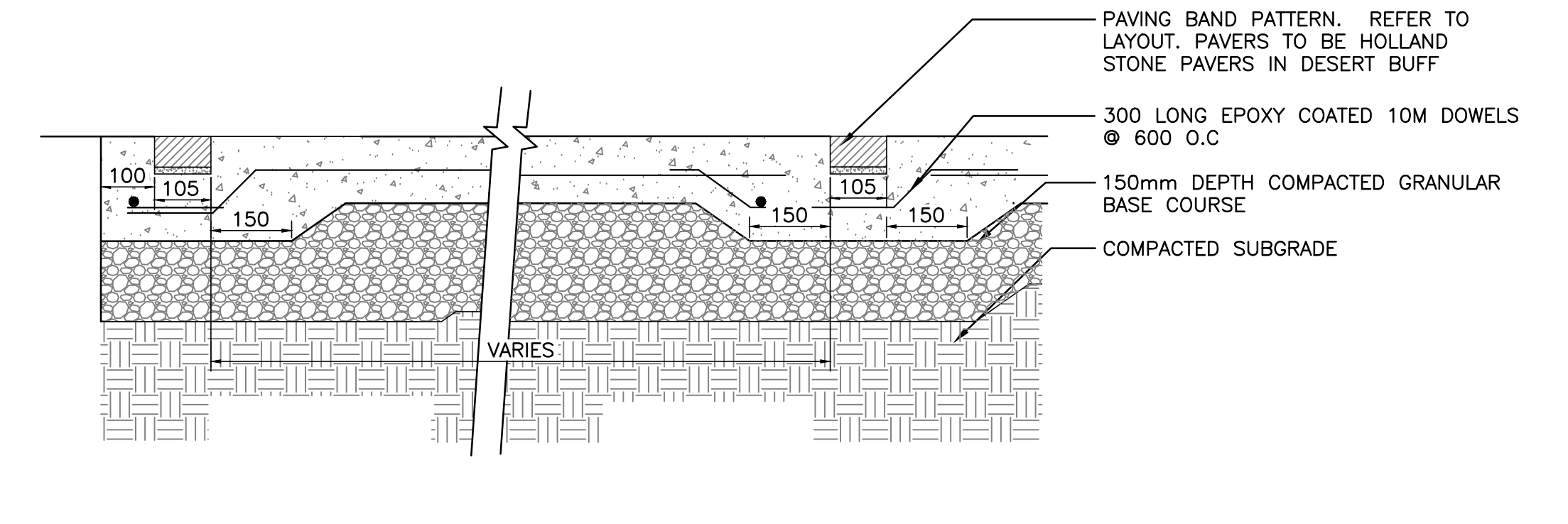
1 REINFORCED CONCRETE SIDEWALK
L1.1 N.T.S.



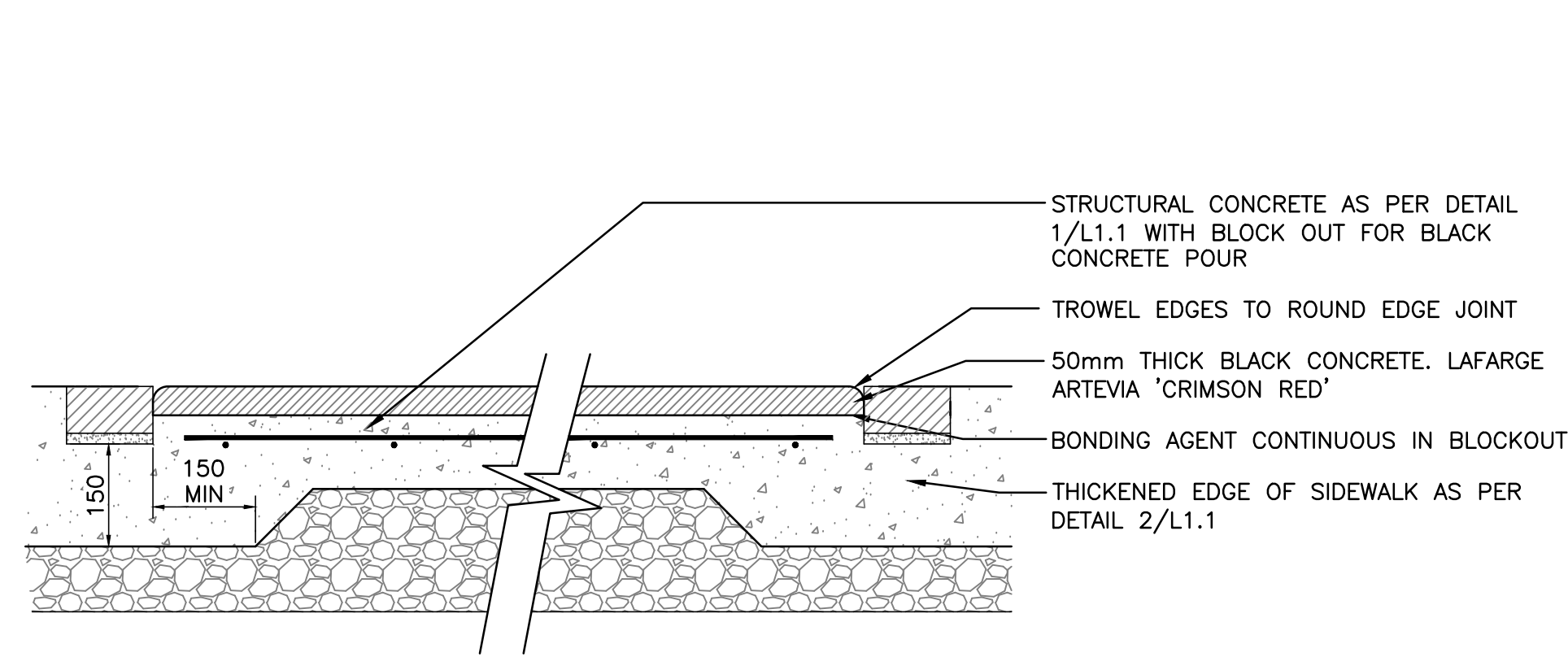
2 THICKENED EDGE OF SIDEWALK
L1.1 AT EDGE OF PLAZA



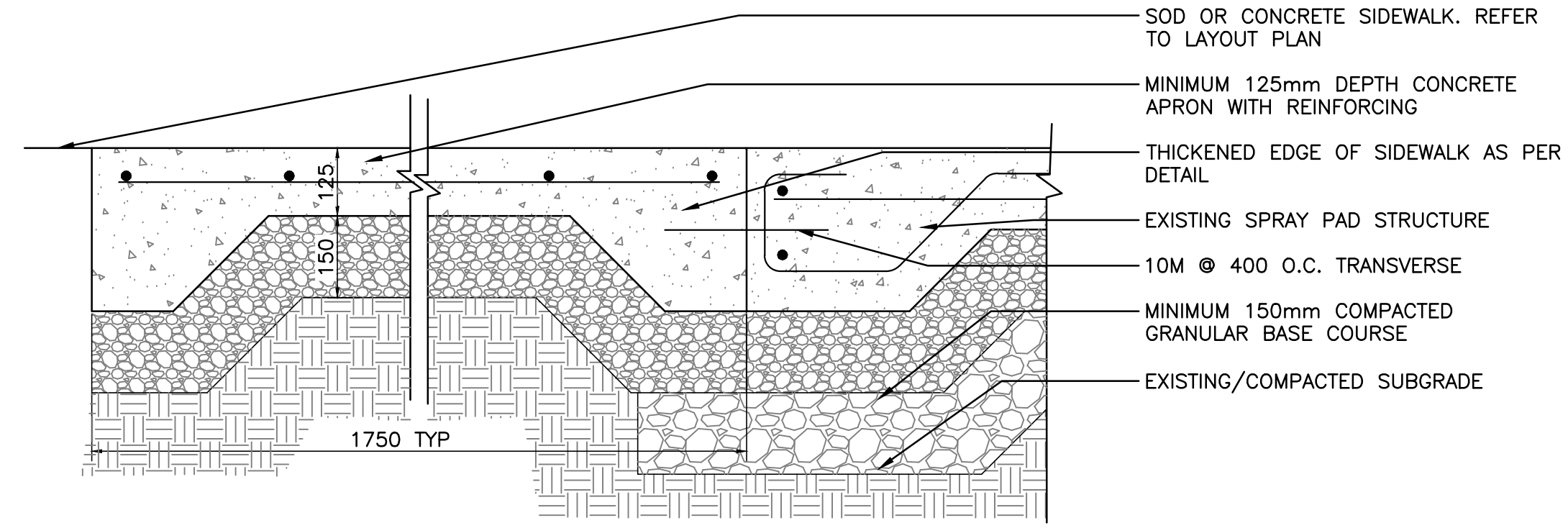
3 LANDSCAPE CURB
L1.1 N.T.S.



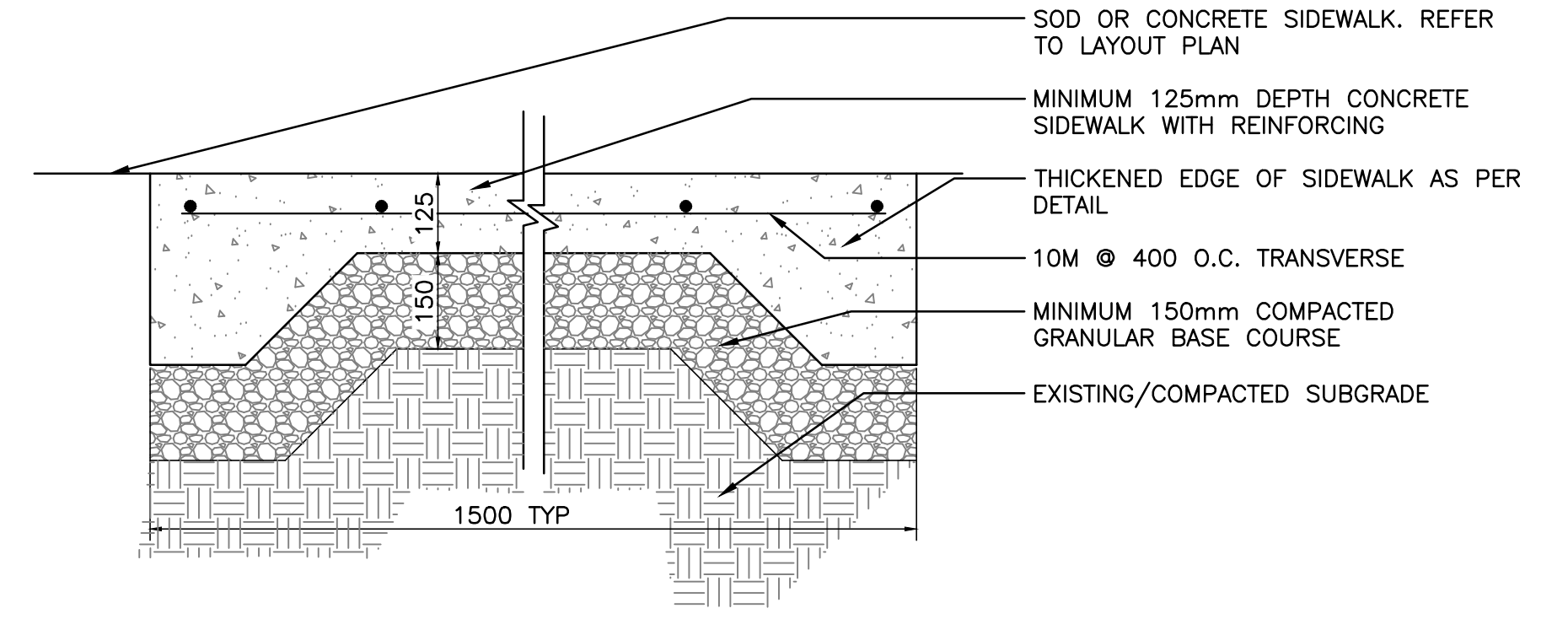
4 CONCRETE SIDEWALK W/ UNIT PAVER INSERT
L1.1 N.T.S.



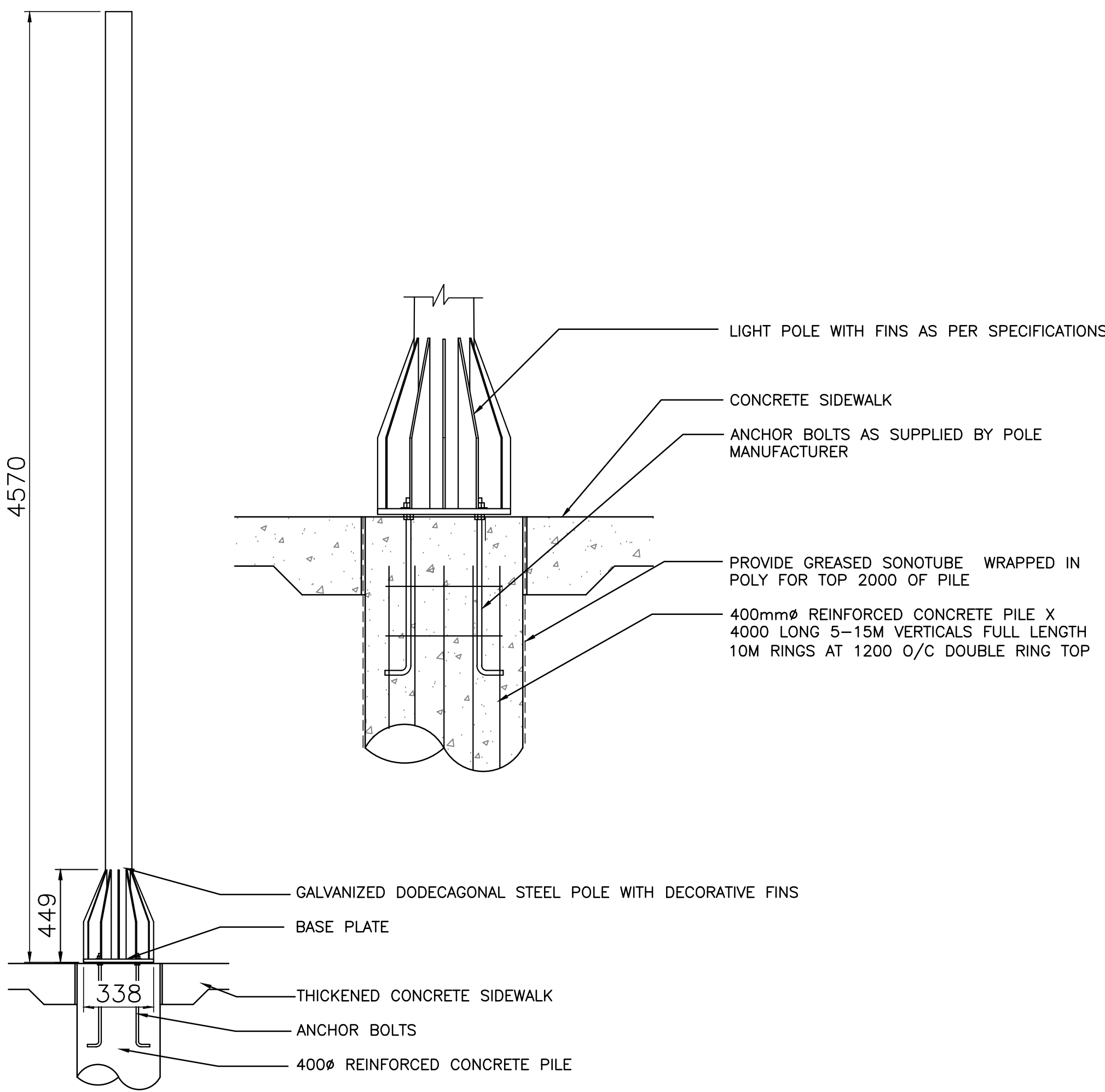
5 COLOURED CONCRETE IN REINFORCED CONCRETE PAVING
L1.1 N.T.S.



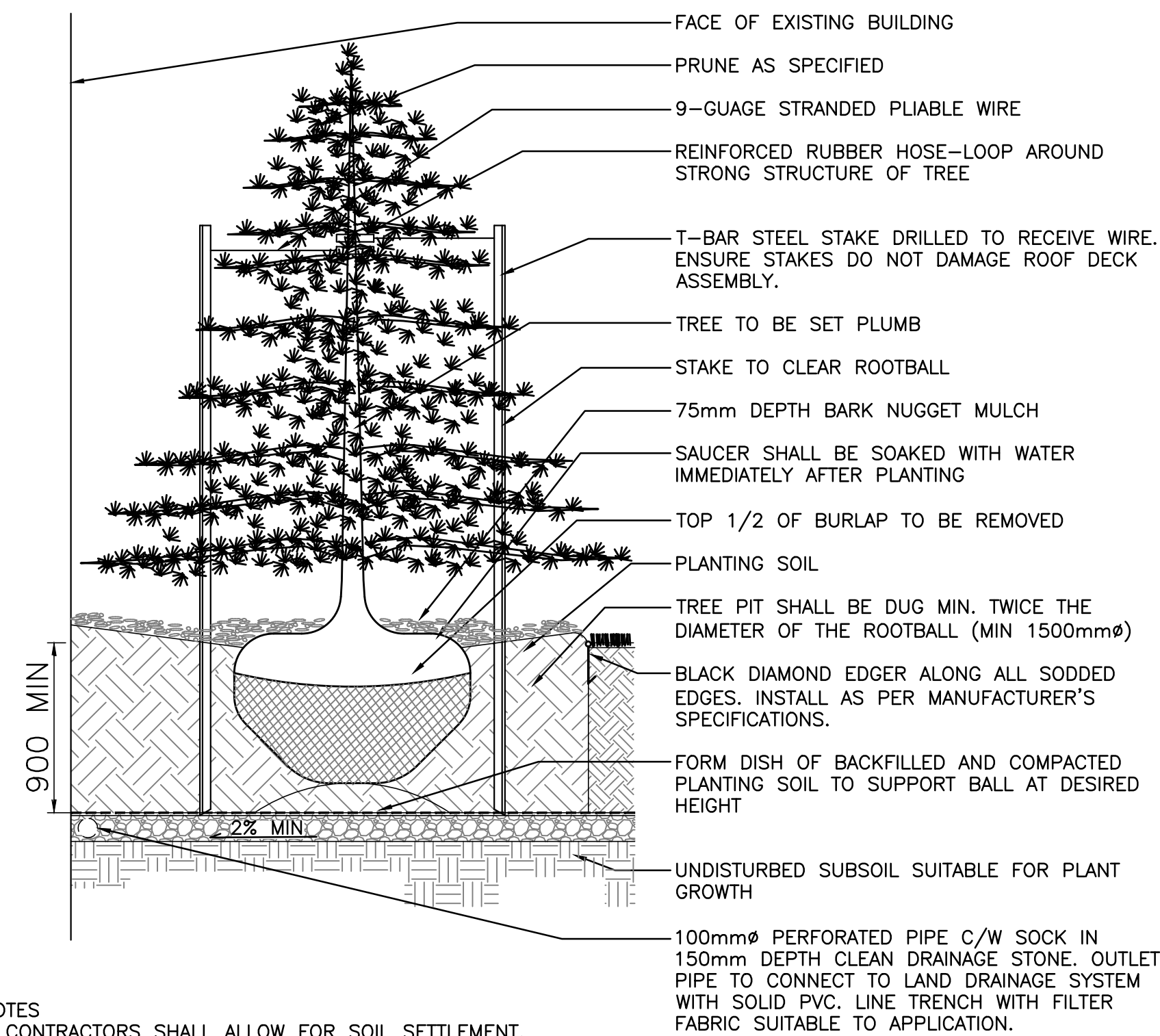
6 CONCRETE SIDEWALK APRON W/ TRANSITION
L1.2 TO EXISTING SPRAY PAD



7 TYPICAL PATHWAY CROSS SECTION
L1.2 N.T.S.



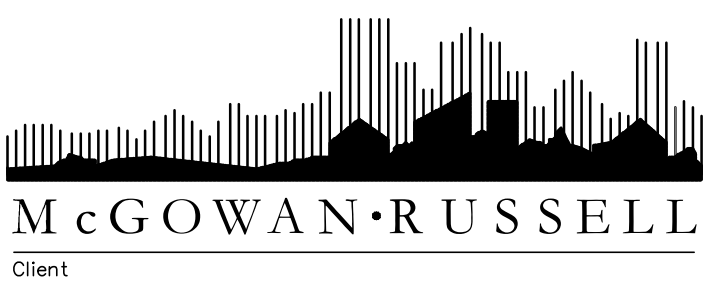
8 STANDARD LIGHT BASE
L1.1 N.T.S.



NOTES
1. CONTRACTORS SHALL ALLOW FOR SOIL SETTLEMENT.
2. ALL CONIFEROUS TREES ARE PLANTED IN SHRUB BED OR MULCH BED WITH MIN. 900mm DEPTH PLANTING SOIL FULL AREA OF BED

9 TYPICAL CONIFEROUS TREE PLANTING IN PLANTING BED
L1.2 N.T.S.

No.	Revisions	Date	By
01-04-14	NTS		
Designed By	Drawn By	Checked By	
AH	MRD	SR	



Project Title
PROVENCHER PARK

Sheet Title
DETAILS

Project No. 13-031 Drawing No. L3.1