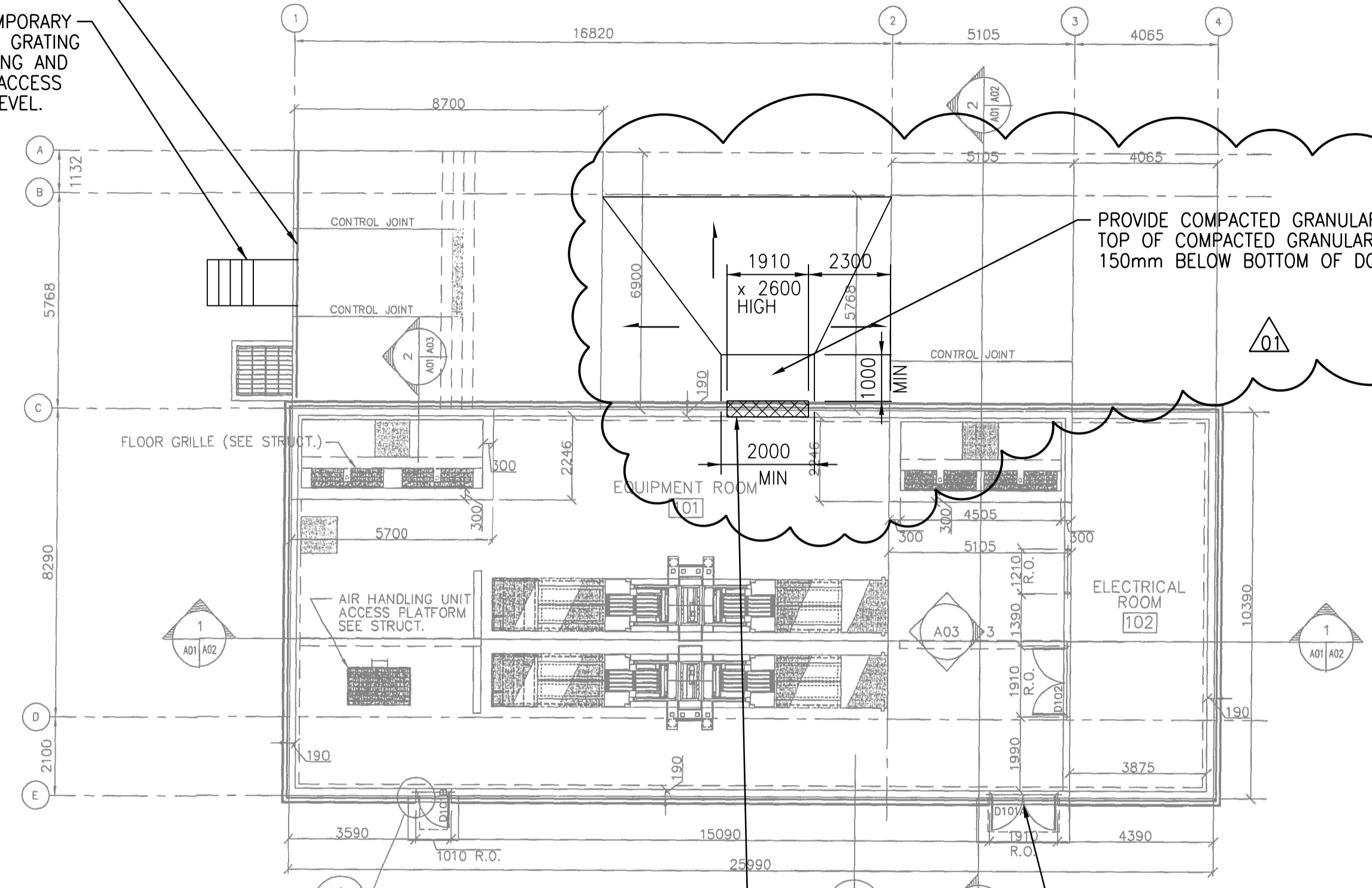


PROVIDE CUT OF 1000mm WIDE IN EXISTING RAILING

PROVIDE TEMPORARY METAL OPEN GRATING STAIR, LANDING AND RAILING TO ACCESS TO GRADE LEVEL.



FLOOR PLAN
Scale: 1:100

DEMOLISH CONCRETE BLOCK AND FACADE FOR DOORWAY SEE NOTE 2.

REMOVE DOOR AND BLOCK OFF DOOR OPENING WITH MASONRY WALL, AIR BARRIER AND ALUMINUM FACED R60 MINERAL WOOL SEMI-RIGID INSULATION ROCKBOARD BY ROXUL. SEE NOTE 4.

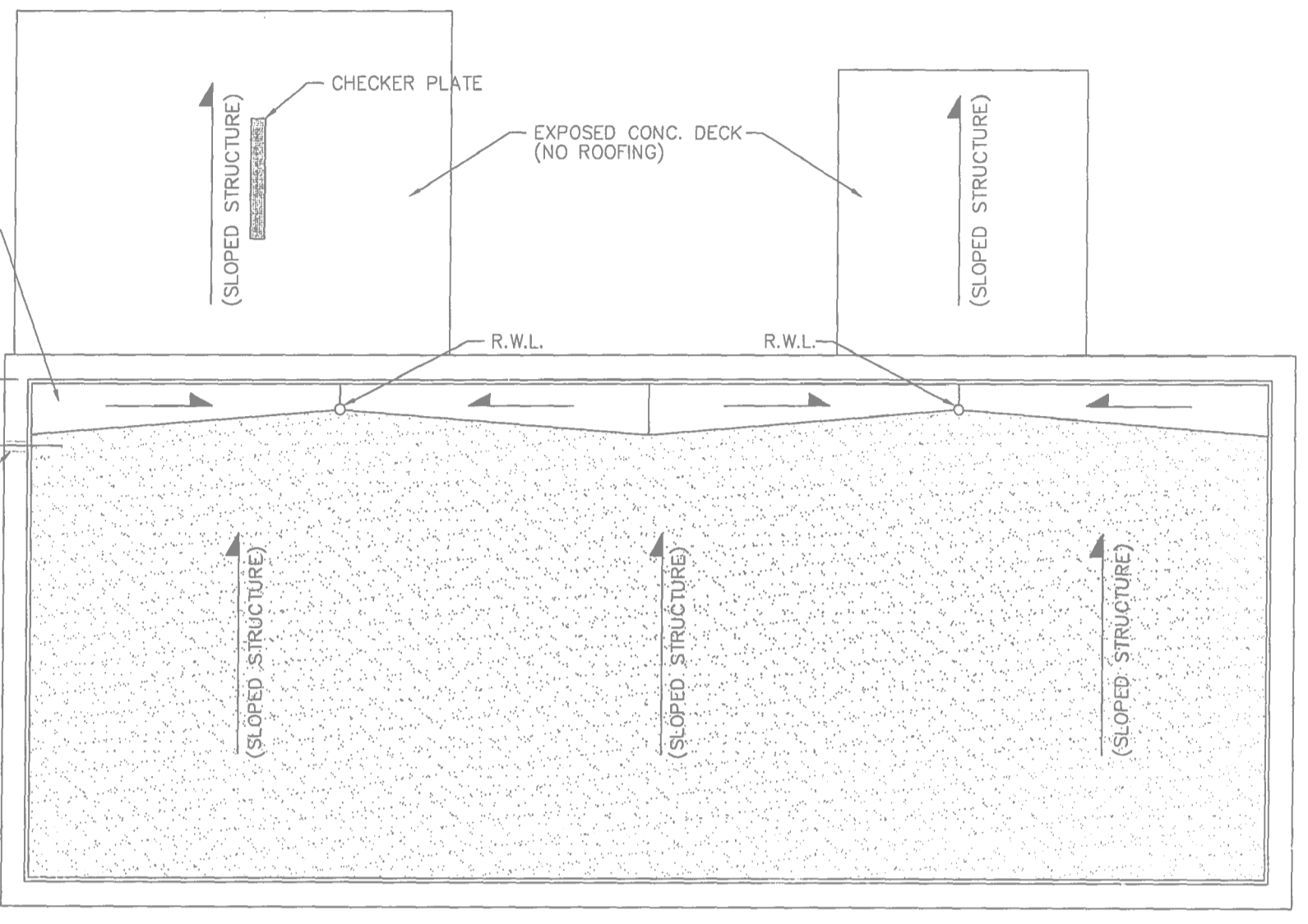
PLAN AT EL. 232.870
NTS REF. DRAWING SEP-2468

PROVIDE COMPACTED GRANULAR 'B'. TOP OF COMPACTED GRANULAR 'B' 150mm BELOW BOTTOM OF DOOR OPENING.

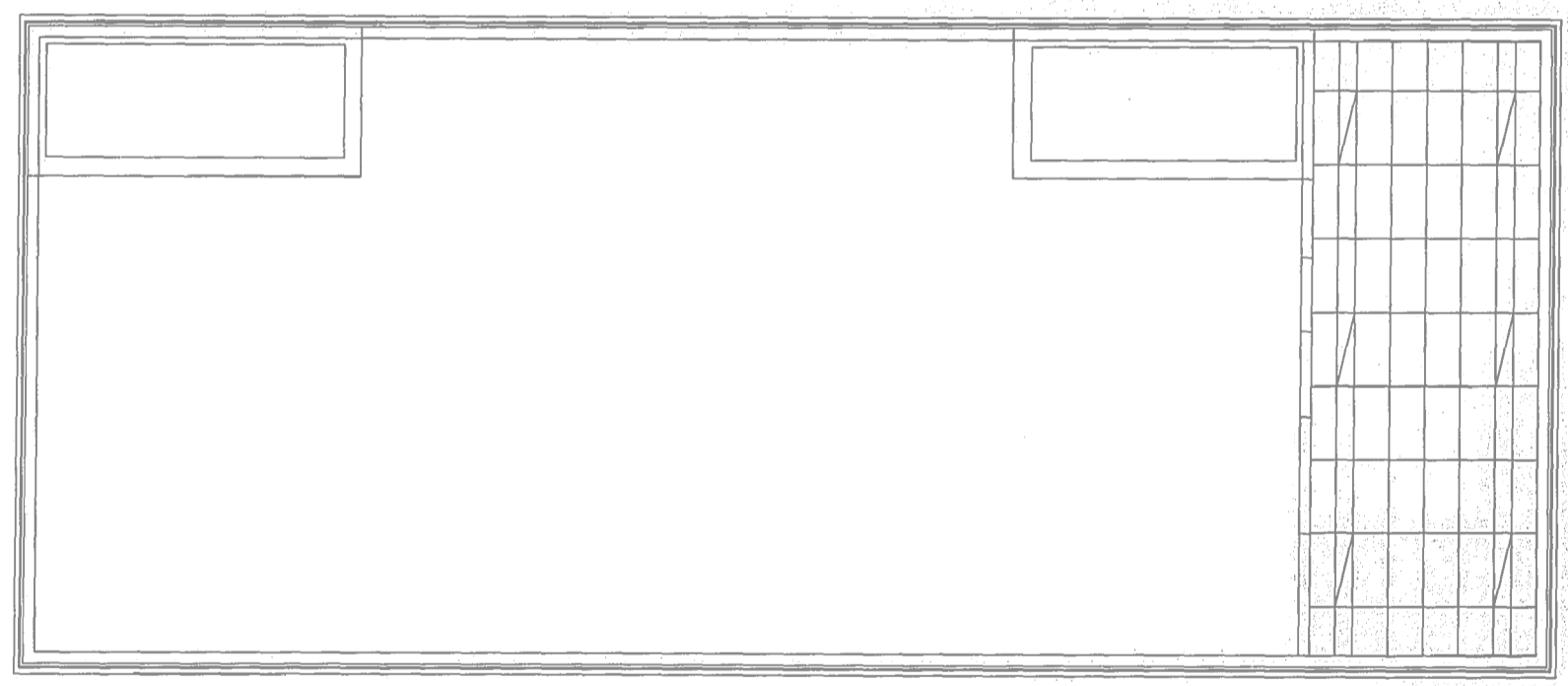
SLOPED CRICKETS 2% WITH EPS INSUL UNDER SPECIFIED RIGID INSUL.

TO INT. FACE OF CONC. BLK. WEST WALL SM.

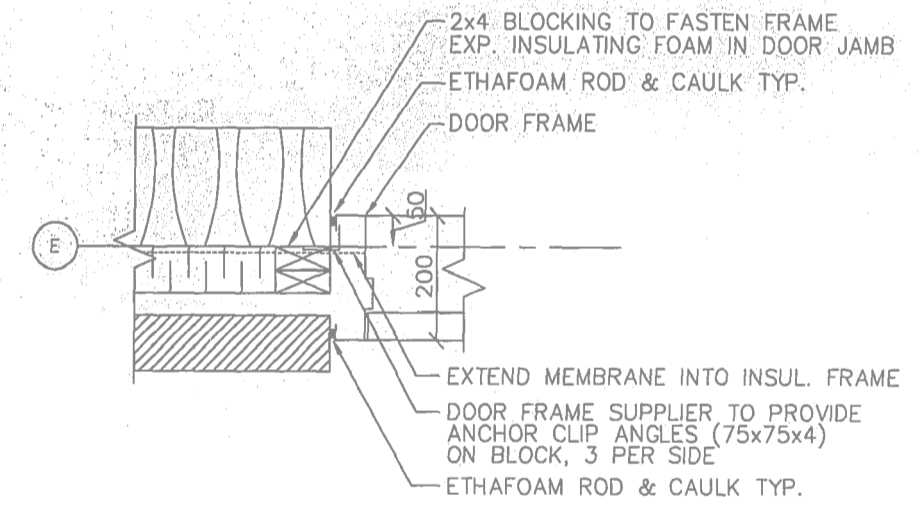
OVERFLOW SCUPPER 200W x 100H



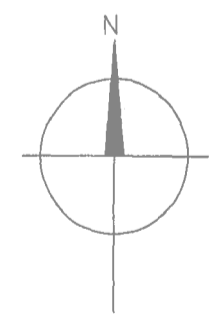
ROOF PLAN
Scale: 1:100



REFLECTED CEILING PLAN
Scale: 1:100

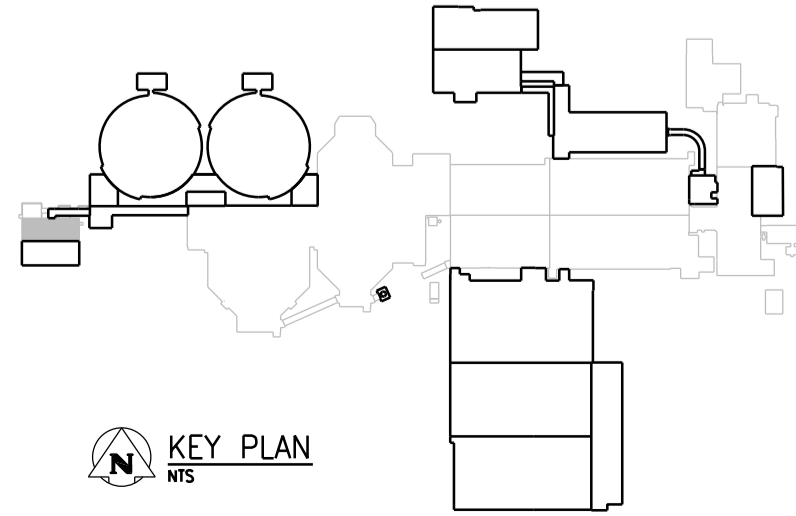


1 TYPICAL DOOR JAM DETAIL
SCALE 1:10



NOTES:

- REFER TO DRAWING 4-0102-DGAD-A001 FOR DEMOLITION NOTES AND LEGEND.
- DESIGN AND PROVIDE HOT-DIP GALVANIZED STEEL LINTELS FOR CONCRETE BLOCK AND FACADE. DESIGN IN ACCORDANCE WITH NBC 9.20.5.2. SUBMIT SHOPDRAWINGS SEALED BY A STRUCTURAL ENGINEER LICENSED IN THE PROVINCE OF MANITOBA.
- REFER TO DRAWING 4-0102-DGAD-S004 FOR OPENINGS THROUGH WALL AND SLAB DETAILS.
- RELOCATE DOOR AND INSTALL AT NEW OPENING ON WALL AT GRIDLINE C. PROVIDE TEMPORARY WOOD STRUCTURE VESTIBULE ENCLOSURE SIMILAR TO EXISTING.



KEY PLAN
NTS



NO.	REVISIONS	DATE	DESIGN	CHECK
01	ISSUED FOR ADDENDUM NO. 3	07/2014	G.O.	B.W.
00	ISSUED FOR TENDER	06/2014	G.O.	B.W.

CH2MHILL		KCS	
SNC-LAVALIN		GROUP OF CONSULTING ENGINEERS	
DESIGNED BY: E. LUJ	CHECKED BY: B. WILLIAMSON	DATE: 2014/06/27	ISSUED FOR CONSTRUCTION
DRAWN BY: G. OMORI	APPROVED BY: J. CHENG	DATE:	BY:
SCALE: NTS	CONSULTANT NO.: 474248		



THE CITY OF WINNIPEG
WATER AND WASTE DEPARTMENT

SOUTH END WATER POLLUTION CONTROL CENTRE
SEWPCC UPGRADING/EXPANSION PROJECT

STRUCTURAL
UV DISINFECTION FACILITY
PLANS

CITY DRAWING NUMBER: 4-0102-SGAD-U001
SHEET: 001
REV: 01
SIZE: A1