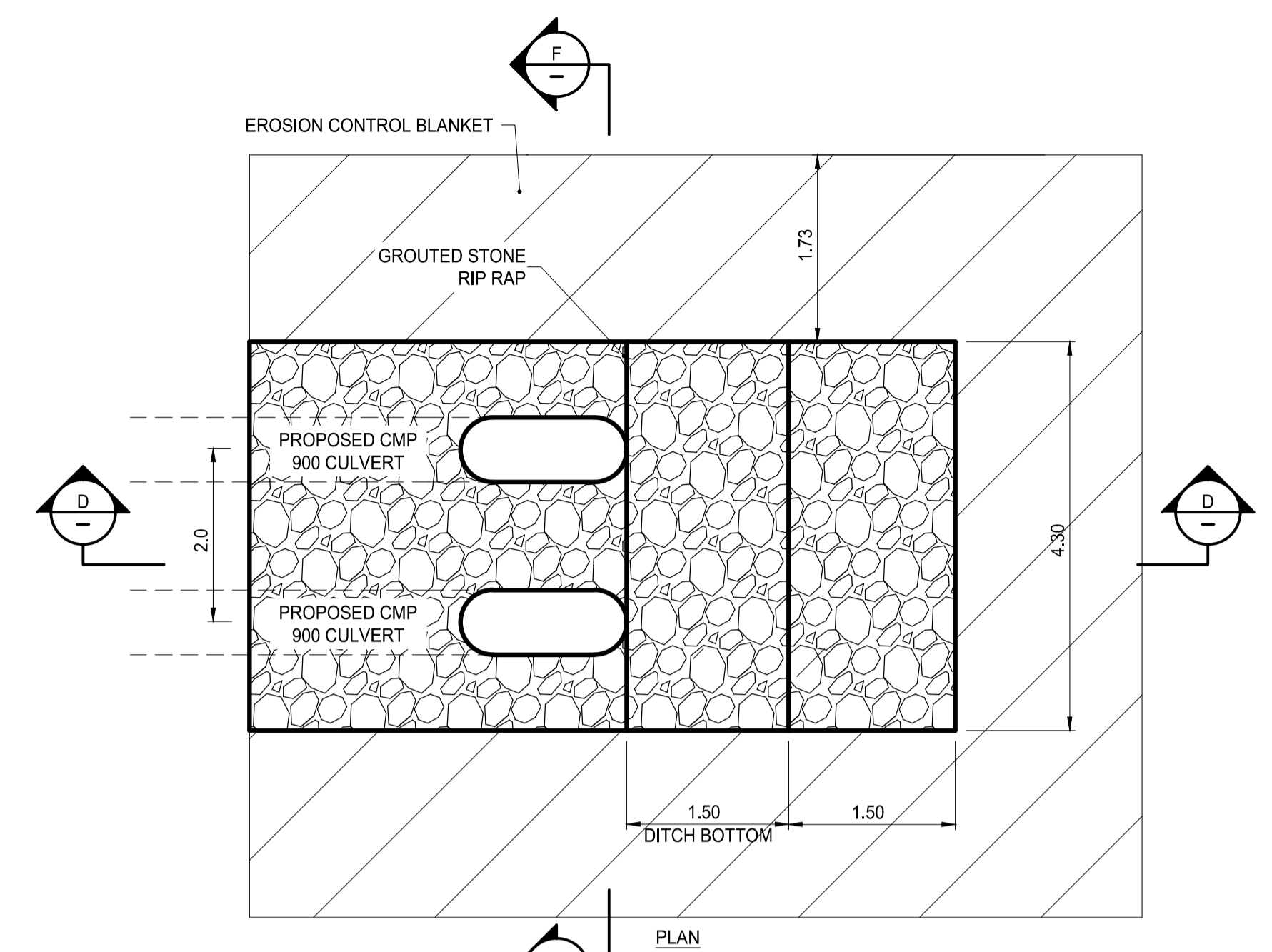
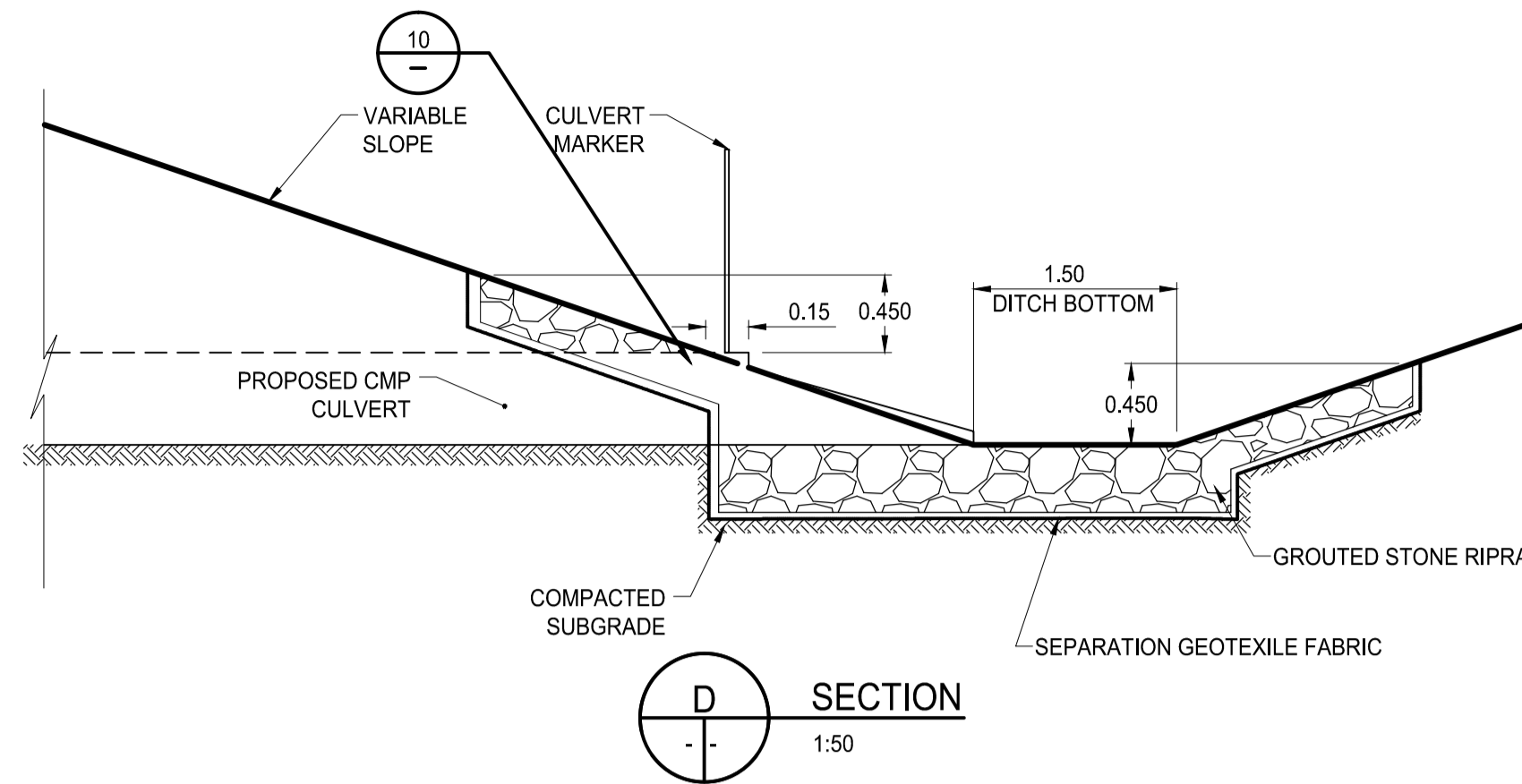
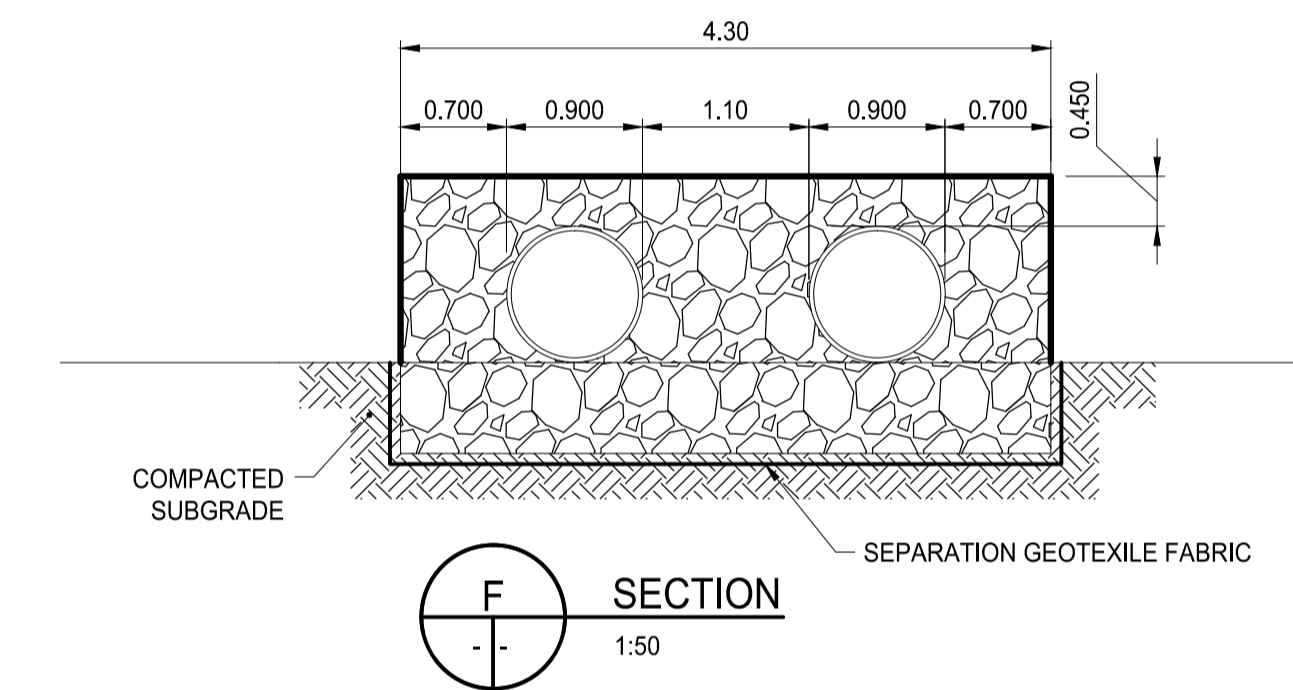
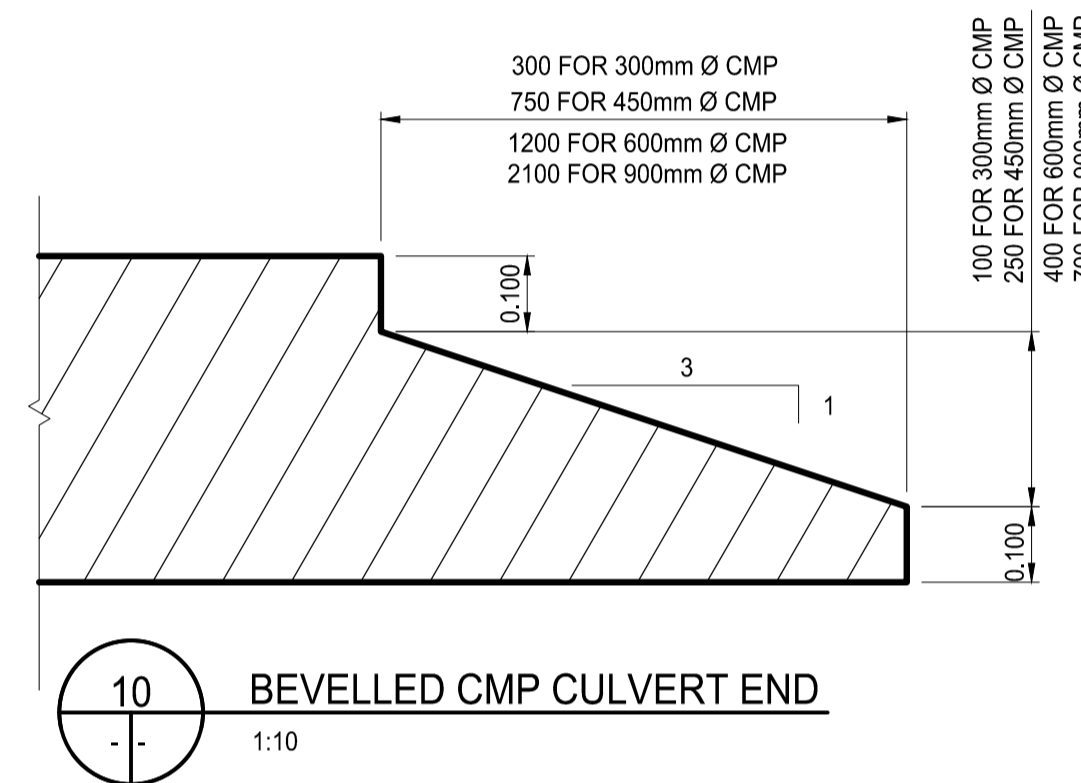
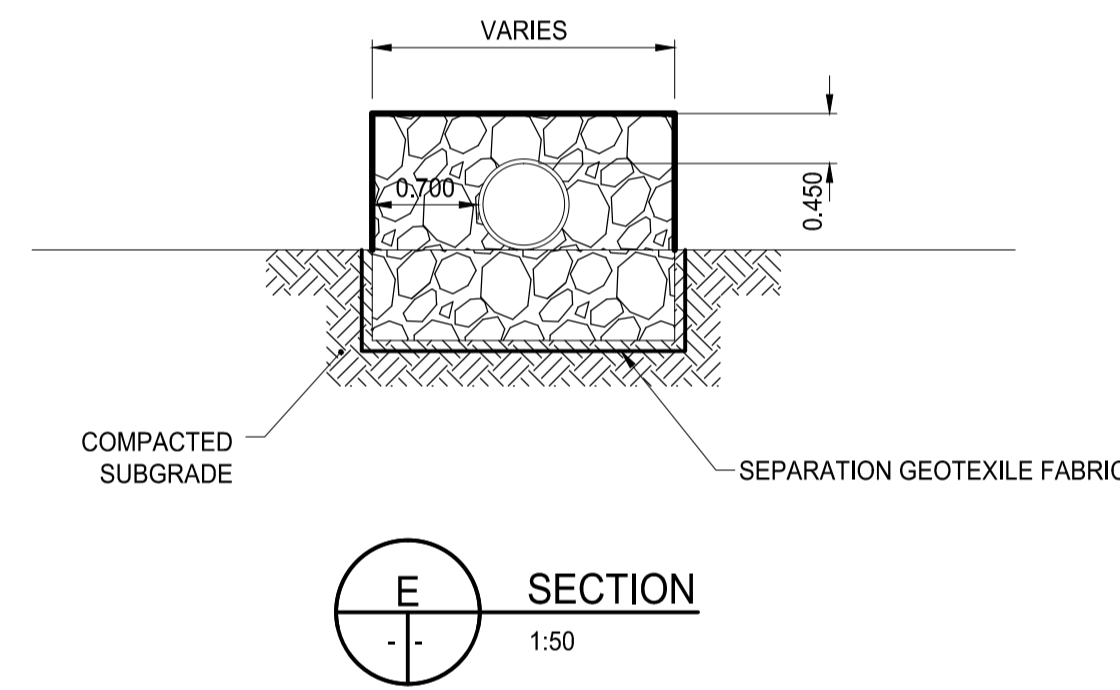


6 GROUTED STONE RIPRAP AT CULVERT
1:50



7 GROUTED STONE RIPRAP AT CULVERT
1:50



METRIC

WHOLE NUMBERS INDICATE MILLIMETRES
DECIMALIZED NUMBERS INDICATE METRES

WARNING

IF POWER EQUIPMENT OR EXPLOSIVES ARE TO BE USED FOR EXCAVATION ON THIS PROJECT THE CONTRACTOR MUST:

1. NOTIFY THE GAS COMPANY OF THE PROPOSED LOCATION OF EXCAVATION.
2. TAKE PRECAUTION TO AVOID DAMAGE TO GAS COMPANY INSTALLATIONS SEE PROVINCIAL REGULATION 210/72 FOR DETAILS.
3. OBTAIN EXCAVATION PERMITS PRIOR TO CONSTRUCTION.



150 WM	150 WM	150 WM	MTS	M.T.S.	MTS	150 mm W.M.	150 mm W.M.	150 mm W.M.
+	+	+	+	CONCRETE	+	+	+	HYDRANT
+	+	+	+	ASPHALT	+	+	+	VALVE
300 LDS	300 LDS	300 LDS	300 LDS	PLANNING	300 mm L.D.S.	300 mm L.D.S.	300 mm L.D.S.	LAND DRAINAGE SEWER
250 WWS	250 WWS	250 WWS	250 WWS	SIDEWALK	250 mm W.W.S.	250 mm W.W.S.	250 mm W.W.S.	WASTE WATER SEWER
○	●	●	●	PAVING STONES	○	○	○	Q PROFILE
□	■	■	■	PROPERTY LINE	□	□	□	NORTH/WEST GUTTER
⊕	⊕	⊕	⊕	SURVEY BAR	⊕	⊕	⊕	SOUTH/EAST GUTTER
—	—	—	—	CURB RAMP	—	—	—	NORTH/WEST T/LANE
—	—	—	—	DITCH	—	—	—	SOUTH/EAST T/LANE
100 GAS	100 GAS	100 GAS	100 GAS	SWALE	—	—	—	
HYDRO	HYDRO	HYDRO	HYDRO					
EXISTING	LEGEND-PLAN	PROPOSED	EXISTING	LEGEND-PLAN	PROPOSED	EXISTING	LEGEND-PROFILE	PROPOSED

UNDERGROUND STRUCTURES	B.M. ELEV.
SUPV. U/G STRUCTURES COMMITTEE	
DATE	
NOTE: LOCATION OF UNDERGROUND STRUCTURES AS SHOWN ARE BASED ON THE BEST INFORMATION AVAILABLE. BUT NO GUARANTEE IS GIVEN THAT ALL EXISTING UTILITIES ARE SHOWN OR THAT THE GIVEN LOCATIONS ARE EXACT. CONFIRMATION OF EXISTENCE AND EXACT LOCATION OF ALL SERVICES MUST BE OBTAINED FROM THE INDIVIDUAL UTILITIES BEFORE PROCEEDING WITH CONSTRUCTION.	
0 ISSUED FOR TENDER	14/04/17 S.B.C.
NO. REVISIONS	DATE BY

DESIGNED BY	DESIGN TEAM	ENGINEER'S SEAL
S.B.C.		
DRAWN BY		
K.D.N.		
CHECKED BY		
S.B.C. / R.K.H.		
APPROVED BY		
S.B.C.		
HOR. SCALE	RELEASED FOR CONSTRUCTION	
AS NOTED		
VERTICAL	CONSULTANT PROJECT NUMBER	
AS NOTED	113705751	
DATE		
2014/04/17		

THE CITY OF WINNIPEG	CONSULTANT DRAWING NUMBER
PUBLIC WORKS DEPARTMENT	P-3355-20
WWARP PART 3 - CONTRACT 4	SHEET 20 OF 20
KENASTON / WAVERLEY	CONSULTANT DRAWING NUMBER
KENASTON BOULEVARD & WAVERLEY TO PERIMETER	C-502
MISCELLANEOUS ROAD DETAILS 2 OF 2	

V:\1137\active\113705751\drawing\404_working\sheet_files_perimeter\05751-c-501-xxx.dwg