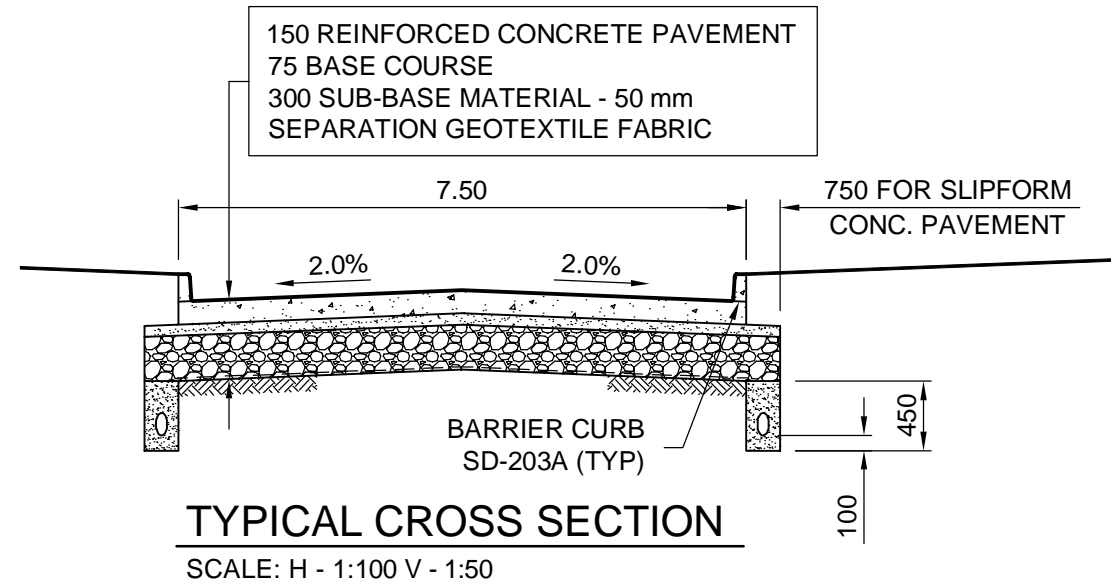
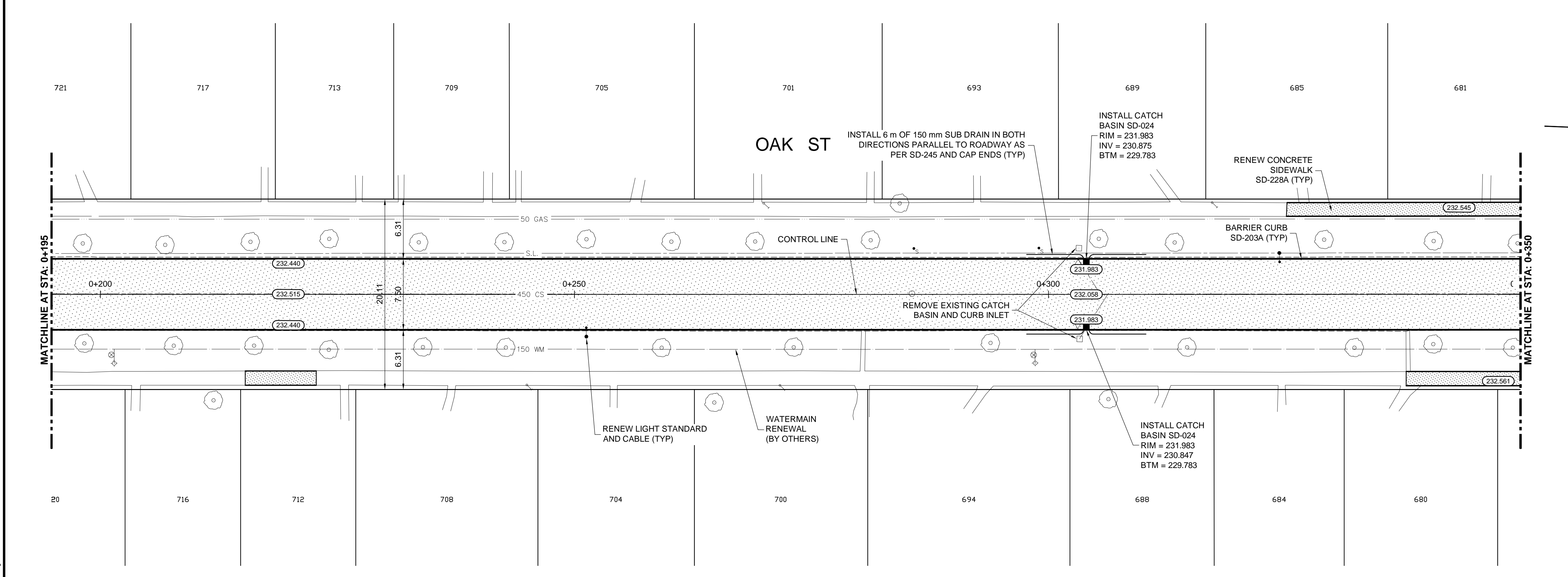


- CONSTRUCTION NOTES:**
1. ALL DIMENSIONS ARE TO BACK OF CURB.
  2. ISOLATE MISCELLANEOUS ITEMS IN NEW CONCRETE WORKS AS PER SD-228C.
  3. LEGAL PLAN AND UNDERGROUND INFORMATION FROM CITY OF WINNIPEG LBIS. CONTRACTOR TO VERIFY ALL UNDERGROUNDS IN THE FIELD.
  4. CONTRACTOR TO TAKE PRECAUTIONARY STEPS TO AVOID DAMAGE FROM CONSTRUCTION ACTIVITIES TO TREES WITHIN THE LIMITS OF CONSTRUCTION.
  5. LOCATION OF EXISTING SERVICES TO BE CONFIRMED IN THE FIELD BY THE CONTRACTOR.
  6. CB LEADS TO BE INSTALLED AT MIN. 1.0% SLOPE OR AS DIRECTED BY CONTRACT ADMINISTRATOR.
  7. LIMITS OF SIDEWALK RENEWAL TO BE FINALIZED IN THE FIELD BY THE CONTRACT ADMINISTRATOR.
  8. LIMITS OF BOULEVARD GRADING TO BE FINALIZED IN THE FIELD BY THE CONTRACT ADMINISTRATOR.



**METRIC**  
WHOLE NUMBERS INDICATE MILLIMETRES  
DECIMALIZED NUMBERS INDICATE METRES

- WARNING**
- IF POWER EQUIPMENT OR EXPLOSIVES ARE TO BE USED FOR EXCAVATION ON THIS PROJECT THE CONTRACTOR MUST:
1. NOTIFY THE GAS COMPANY OF THE PROPOSED LOCATION OF EXCAVATION.
  2. TAKE PRECAUTION TO AVOID DAMAGE TO GAS COMPANY INSTALLATIONS SEE PROVINCIAL REGULATION 210/72 FOR DETAILS.
  3. OBTAIN EXCAVATION PERMITS PRIOR TO CONSTRUCTION.



EXISTING	LEGEND-PLAN	PROPOSED	EXISTING	LEGEND-PLAN	PROPOSED	EXISTING	LEGEND-PROFILE	PROPOSED
150 WM	WATERMAIN	150 WM	HYDRO	HYDRO	HYDRO	150 WM	WATERMAIN	150 WM
300 LDS	HYDRANT VALVE	300 LDS	MTS	M.T.S.	MTS	300 LDS	HYDRANT VALVE	300 LDS
250 WWS	LAND DRAINAGE SEWER	250 WWS	CONCRETE	CONCRETE	CONCRETE	250 WWS	WASTE WATER SEWER	250 WWS
ASPHALT	WASTE WATER SEWER	ASPHALT	PLANING	PLANING	PLANING	ASPHALT	LAND DRAINAGE SEWER	ASPHALT
MANHOLE	MANHOLE	MANHOLE	SIDEWALK	SIDEWALK	SIDEWALK	MANHOLE	WASTE WATER SEWER	MANHOLE
CATCH BASIN	CATCH BASIN	CATCH BASIN	PAVING STONES	PAVING STONES	PAVING STONES	CATCH BASIN	LAND DRAINAGE SEWER	CATCH BASIN
CURB INLET	CURB INLET	CURB INLET	PARTIAL DEPTH REPAIR	PARTIAL DEPTH REPAIR	PARTIAL DEPTH REPAIR	CURB INLET	WASTE WATER SEWER	CURB INLET
JUNCTIONS	JUNCTIONS	JUNCTIONS	PROPERTY LINE	PROPERTY LINE	PROPERTY LINE	JUNCTIONS	LAND DRAINAGE SEWER	JUNCTIONS
CULVERT	CULVERT	CULVERT	DRAINAGE ARROW	DRAINAGE ARROW	DRAINAGE ARROW	CULVERT	WASTE WATER SEWER	CULVERT
100 GAS	GAS	100 GAS	CURB RAMP	CURB RAMP	CURB RAMP	100 GAS	LAND DRAINAGE SEWER	100 GAS

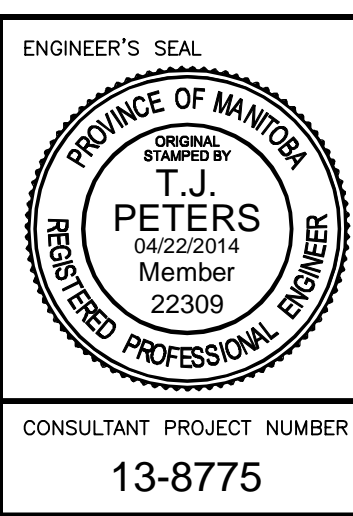
**UNDERGROUND STRUCTURES**

SUPPLY	U/G STRUCTURES	DATE

LOCATION OF UNDERGROUND STRUCTURES AS SHOWN ARE BASED ON THE BEST INFORMATION AVAILABLE, BUT NO GUARANTEE IS GIVEN THAT ALL EXISTING UTILITIES ARE SHOWN OR THAT THE GIVEN LOCATIONS ARE EXACT. CONFIRMATION OF EXISTENCE AND EXACT LOCATION OF ALL SERVICES MUST BE OBTAINED FROM THE INDIVIDUAL UTILITIES BEFORE PROCEEDING WITH CONSTRUCTION.

B.M. ELEV.			

DESIGNED BY	AMC
DRAWN BY	TJH
CHECKED BY	ORIGINAL SIGNED BY TARAN J. PETERS
APPROVED BY	ORIGINAL SIGNED BY DAVID B. WIEBE
HOR. SCALE	1:250
VERTICAL	1:10
DATE	04/22/2014



**THE CITY OF WINNIPEG PUBLIC WORKS DEPARTMENT**

2014 RESIDENTIAL STREET RENEWAL PROGRAM

PLAN-PROFILE - OAK STREET - STA. 0+195 TO STA. 0+350

CITY DRAWING NUMBER: SHEET 04 OF 14

CONSULTANT DRAWING NUMBER

CONSULTANT PROJECT NUMBER: 13-8775

GA:\CAD\138775\Contract\Plan-Profile-Oak.dwg