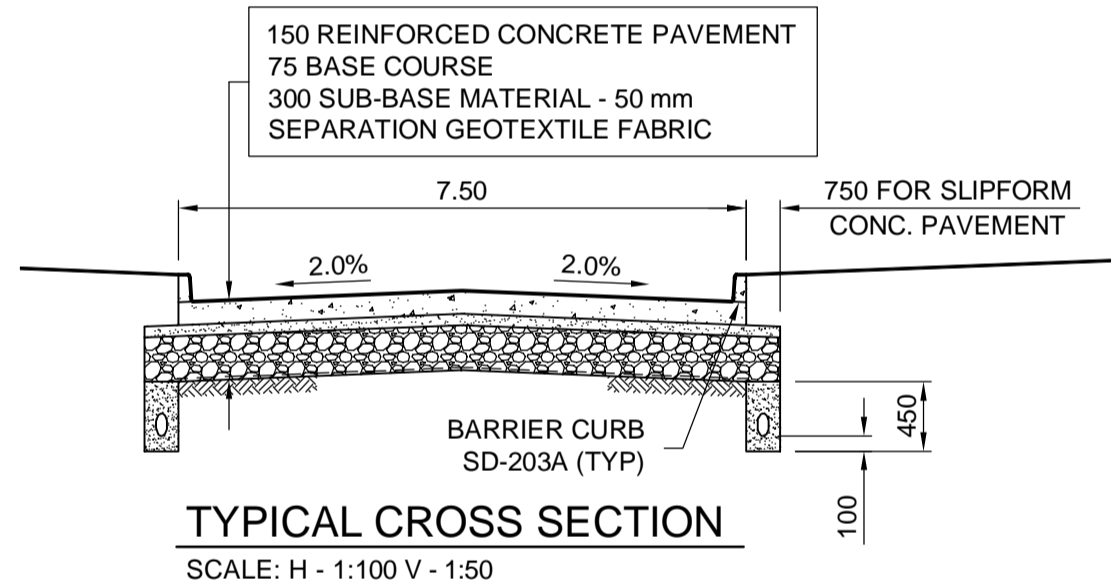
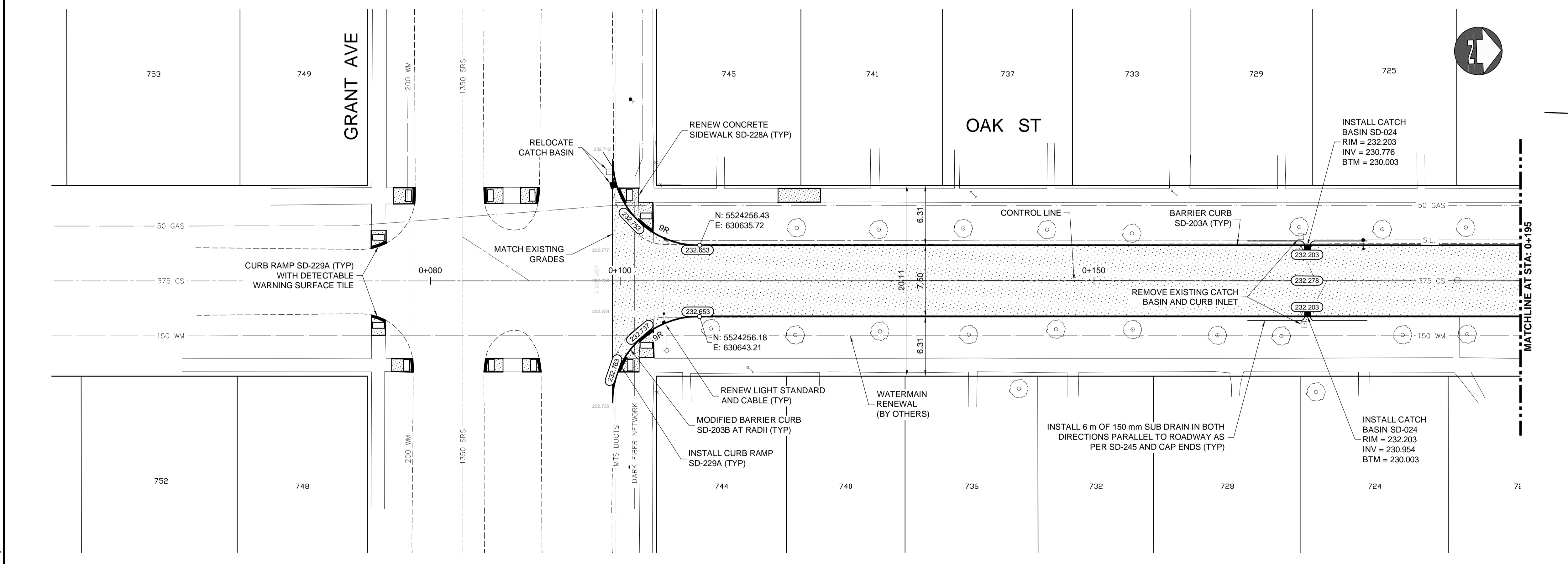


- CONSTRUCTION NOTES:**
1. ALL DIMENSIONS ARE TO BACK OF CURB.
 2. ISOLATE MISCELLANEOUS ITEMS IN NEW CONCRETE WORKS AS PER SD-228C.
 3. LEGAL PLAN AND UNDERGROUND INFORMATION FROM CITY OF WINNIPEG LBIS. CONTRACTOR TO VERIFY ALL UNDERGROUNDS IN THE FIELD.
 4. CONTRACTOR TO TAKE PRECAUTIONARY STEPS TO AVOID DAMAGE FROM CONSTRUCTION ACTIVITIES TO TREES WITHIN THE LIMITS OF CONSTRUCTION.
 5. LOCATION OF EXISTING SERVICES TO BE CONFIRMED IN THE FIELD BY THE CONTRACTOR.
 6. CB LEADS TO BE INSTALLED AT MIN. 1.0% SLOPE OR AS DIRECTED BY CONTRACT ADMINISTRATOR.
 7. LIMITS OF SIDEWALK RENEWAL TO BE FINALIZED IN THE FIELD BY THE CONTRACT ADMINISTRATOR.
 8. LIMITS OF BOULEVARD GRADING TO BE FINALIZED IN THE FIELD BY THE CONTRACT ADMINISTRATOR.



METRIC
WHOLE NUMBERS INDICATE MILLIMETRES
DECIMALIZED NUMBERS INDICATE METRES

WARNING
IF POWER EQUIPMENT OR EXPLOSIVES ARE TO BE USED FOR EXCAVATION ON THIS PROJECT THE CONTRACTOR MUST:

1. NOTIFY THE GAS COMPANY OF THE PROPOSED LOCATION OF EXCAVATION.
2. TAKE PRECAUTION TO AVOID DAMAGE TO GAS COMPANY INSTALLATIONS SEE PROVINCIAL REGULATION 210/72 FOR DETAILS.
3. OBTAIN EXCAVATION PERMITS PRIOR TO CONSTRUCTION.



EXISTING	LEGEND-PLAN	PROPOSED	EXISTING	LEGEND-PLAN	PROPOSED	EXISTING	LEGEND-PROFILE	PROPOSED
150 WM	WATERMAIN	150 WM	HYDRO	HYDRO	HYDRO	150 WM	WATERMAIN	150 WM
300 LDS	LAND DRAINAGE SEWER	300 LDS	MTS	M.T.S.	MTS	300 LDS	LAND DRAINAGE SEWER	300 LDS
250 WWS	WASTE WATER SEWER	250 WWS	CONCRETE	CONCRETE	CONCRETE	250 WWS	WASTE WATER SEWER	250 WWS
MANHOLE	MANHOLE	MANHOLE	ASPHALT	ASPHALT	ASPHALT	PLANING	PLANING	PLANING
CATCH BASIN	CATCH BASIN	CATCH BASIN	SIDEWALK	SIDEWALK	SIDEWALK	PAVING STONES	PAVING STONES	PAVING STONES
CURB INLET	CURB INLET	CURB INLET	PARTIAL DEPTH REPAIR	PARTIAL DEPTH REPAIR	PARTIAL DEPTH REPAIR	PROPERTY LINE	PROPERTY LINE	PROPERTY LINE
JUNCTIONS	JUNCTIONS	JUNCTIONS	DRAINAGE ARROW	DRAINAGE ARROW	DRAINAGE ARROW	CURB RAMP	CURB RAMP	CURB RAMP
CULVERT	CULVERT	CULVERT	100 GAS	100 GAS	100 GAS	EXISTING	EXISTING	EXISTING
100 GAS	100 GAS	100 GAS	EXISTING	EXISTING	EXISTING	LEGEND-PROFILE	LEGEND-PROFILE	LEGEND-PROFILE

UNDERGROUND STRUCTURES		B.M. ELEV.		DESIGNED BY	
SUPV. U/G STRUCTURES	DATE			AMC	
		2	ISSUED FOR TENDER	04/22/14	TJP
		1	ISSUED FOR REVIEW	04/04/14	TJP
		NO.	REVISIONS	DATE	BY

DRAWN BY		CHECKED BY		APPROVED BY	
TJH		ORIGINAL SIGNED BY	TARAN J. PETERS	ORIGINAL SIGNED BY	DAVID B. WIEBE
HOR. SCALE 1:250		VERTICAL 1:10		RELEASER FOR CONSTRUCTION	
DATE 04/22/2014		DATE 04/22/2014		DATE	

THE CITY OF WINNIPEG
PUBLIC WORKS DEPARTMENT

2014 RESIDENTIAL STREET RENEWAL PROGRAM

PLAN-PROFILE - OAK STREET - GRANT AVENUE TO STA. 0+195

CITY DRAWING NUMBER: SHEET 03 OF 14
CONSULTANT DRAWING NUMBER

CONSULTANT PROJECT NUMBER: 13-8775

G:\CAD\138775\Contract\Plan-Profile-Dok.dwg