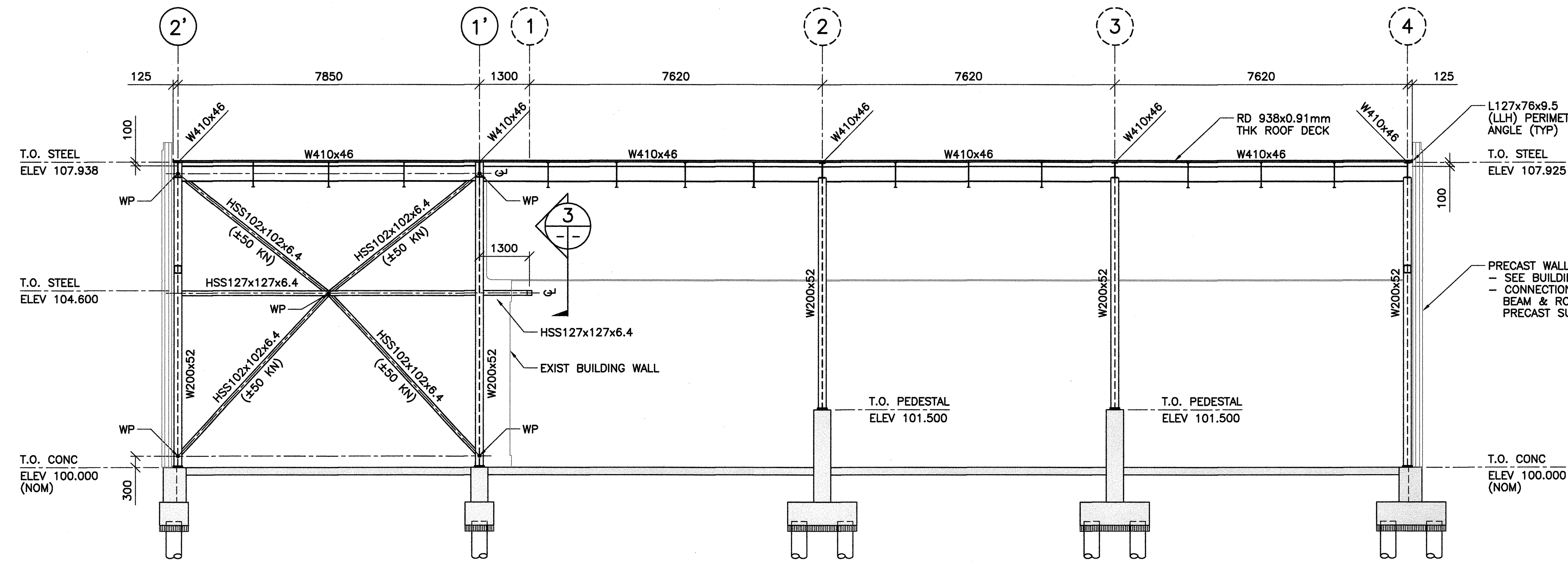
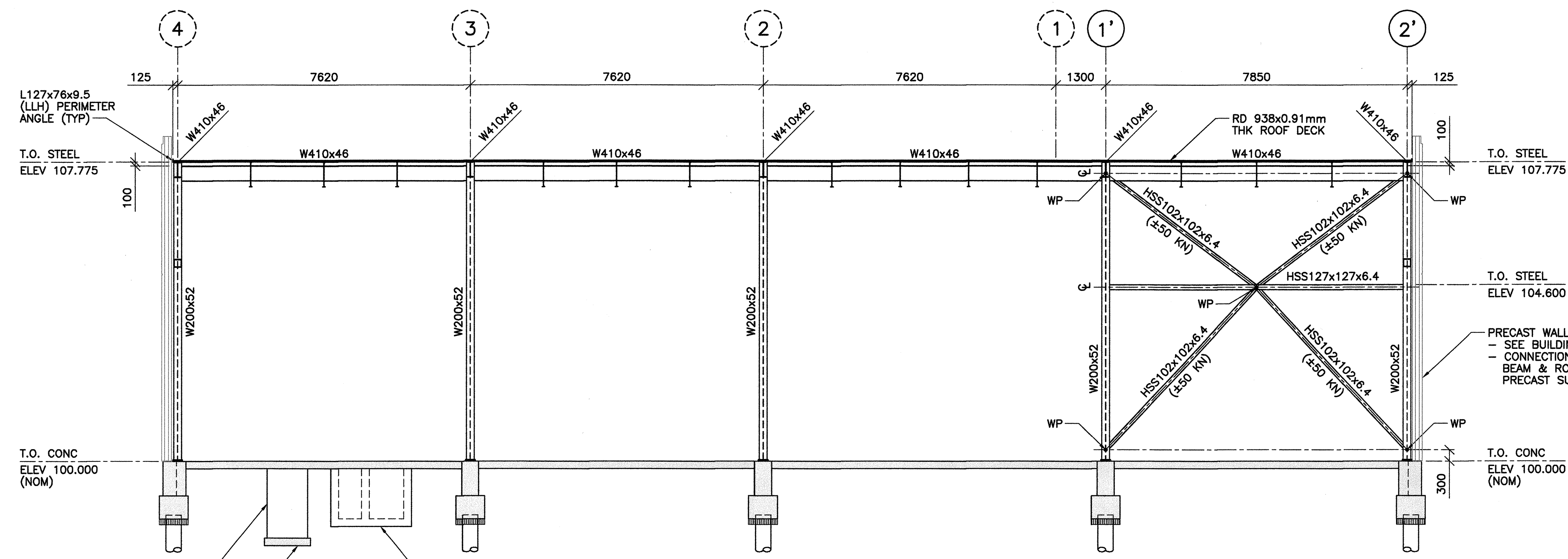


REFERENCE DRAWINGS	
NO.	DESCRIPTION

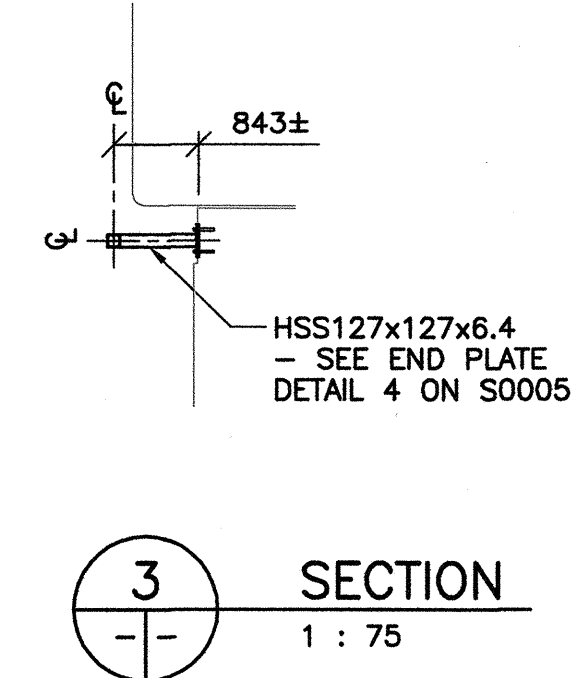
**NOTES:**  
 1. FOR GENERAL NOTES, REFER TO DRAWING S0001.



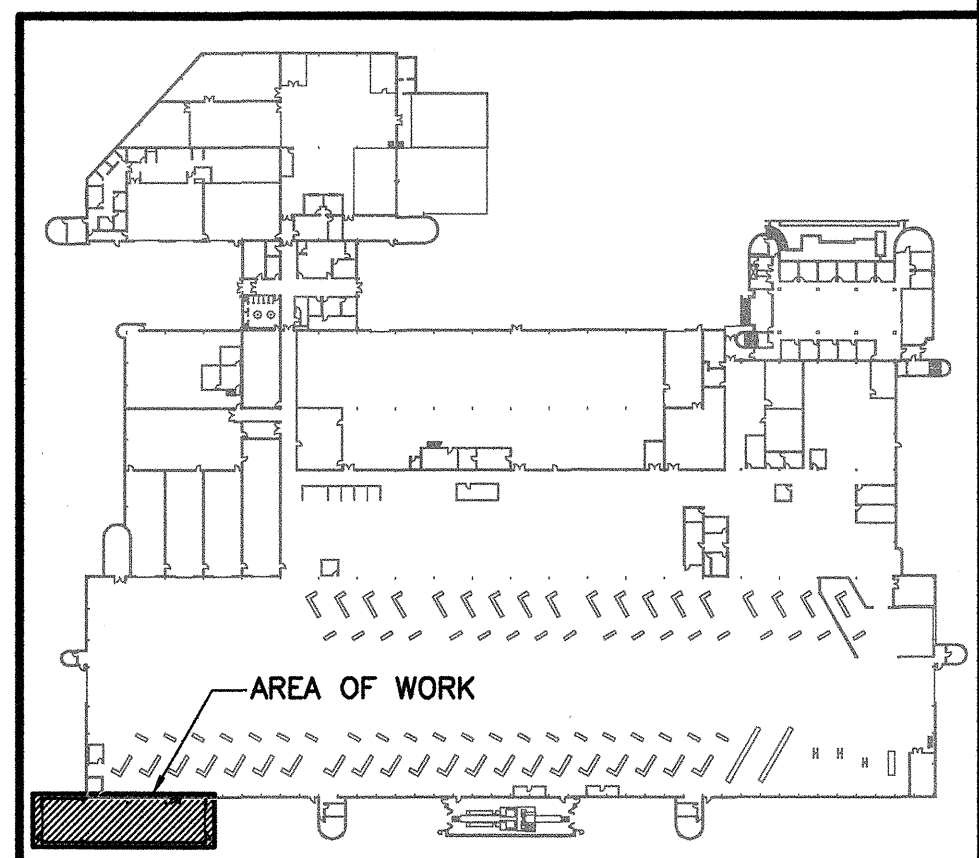
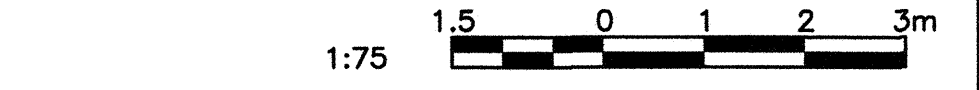
**1** ELEVATION @ GRIDLINE J LOOKING NORTH  
 1 : 75



**2** ELEVATION @ GRIDLINE K LOOKING SOUTH  
 1 : 75



**3** SECTION  
 1 : 75



NO.	DATE	DESCRIPTION	PREPARED	REVIEW	DESIGN	AUTHORIZE
00	14.01.17	ISSUED FOR CONSTRUCTION	EV	CM	CM	

PROVINCE OF MANITOBA  
 C.P. MOTA  
 Member  
 24320  
 REGISTERED PROFESSIONAL ENGINEER

**APEGM**  
 Certificate of Authorization  
 TETRA TECH WEI Inc.  
 No. 5313 Date: April 30, 2014

DESIGNED BY:	PREPARED BY:	REVIEWED BY:
CM	EV	CM

AUTHORIZED BY: [Signature] DATE: 13.11.06 SCALE: AS NOTED

THE CONTENT OF THIS DOCUMENT IS NOT INTENDED FOR THE USE OF WORK OR IS INTENDED TO BE RELIED UPON BY ANY PERSON, FIRM OR CORPORATION OTHER THAN THE CLIENT AND TETRA TECH WEI Inc. (Tetra Tech). TETRA TECH WEI Inc. (Tetra Tech) DENIES ANY LIABILITY WHATSOEVER TO OTHER PARTIES FOR DAMAGES OR INJURY SUFFERED BY SUCH THIRD PARTY ARISING FROM THE USE OF THIS DOCUMENT BY THEM, WITHOUT THE EXPRESSED WRITTEN AUTHORITY OF TETRA TECH WEI Inc. (Tetra Tech) AND OUR CLIENT. THIS DOCUMENT IS SUBJECT TO FURTHER RESTRICTIONS IMPOSED BY THE CONTRACT BETWEEN THE CLIENT AND TETRA TECH WEI Inc. (Tetra Tech) AND THESE PARTIES PERMISSION MUST BE SOUGHT REGARDING THIS DOCUMENT IN ALL OTHER CIRCUMSTANCES.

CLIENT: **CITY OF WINNIPEG TRANSIT DEPARTMENT**

**TETRA TECH**

PROJECT NAME: CITY OF WINNIPEG TRANSIT - FORT ROUGE GARAGE BUS MAINTENANCE ADDITION

DRAWING DESCRIPTION: STEEL ELEVATIONS @ GRID LINES J AND K

DRAWING NO.	REV.
1329720500-DWG-S0004	00