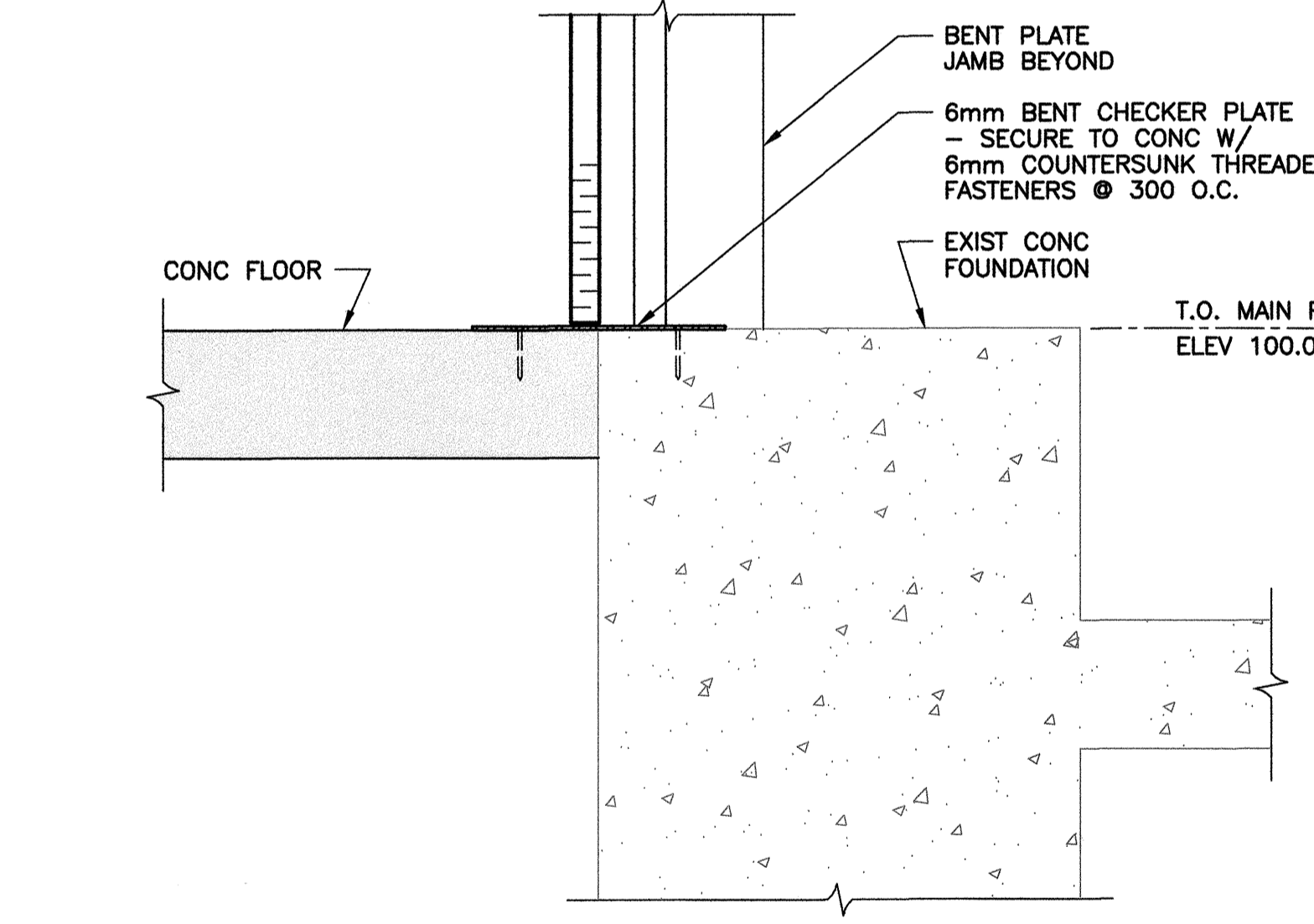
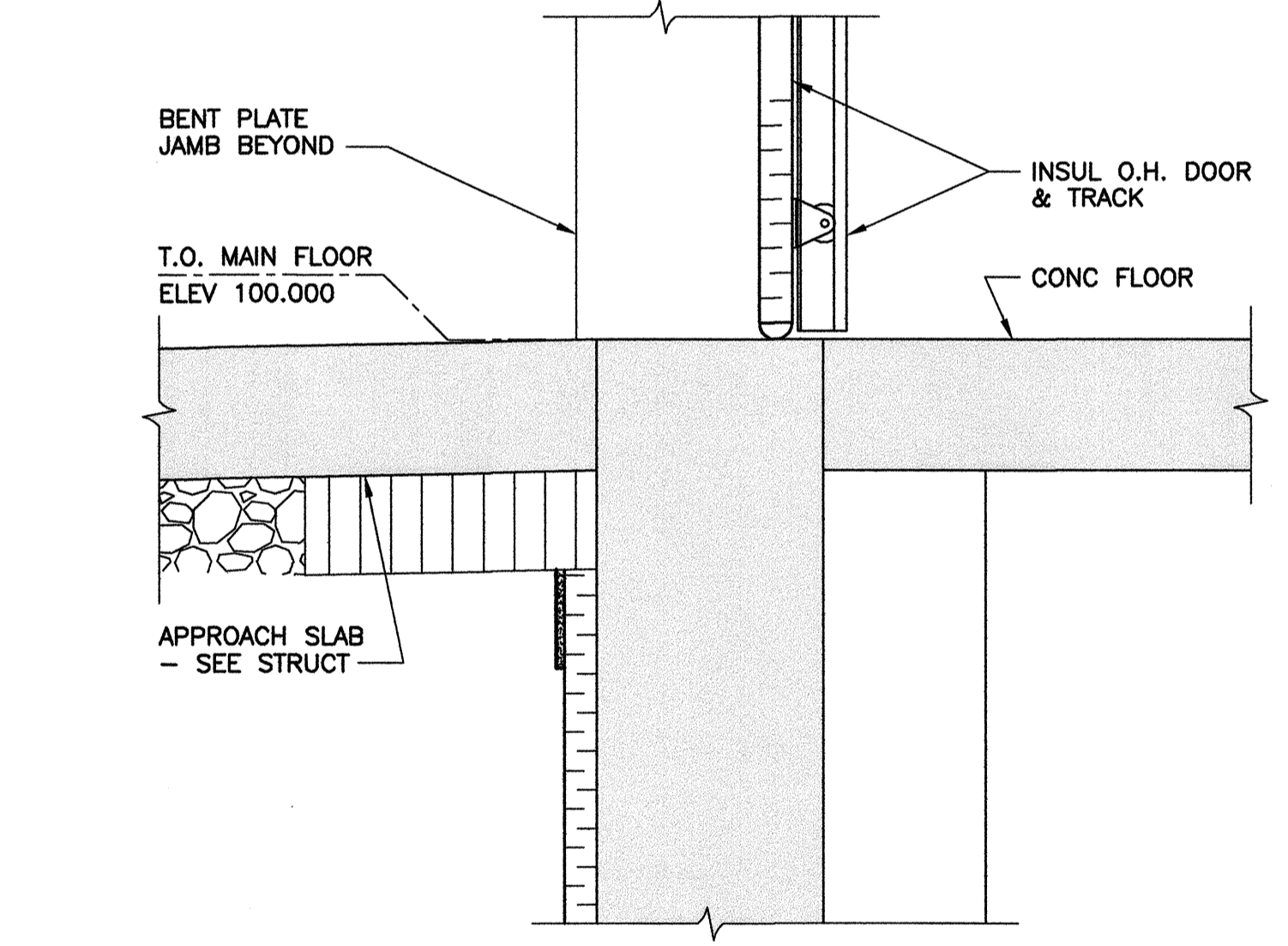
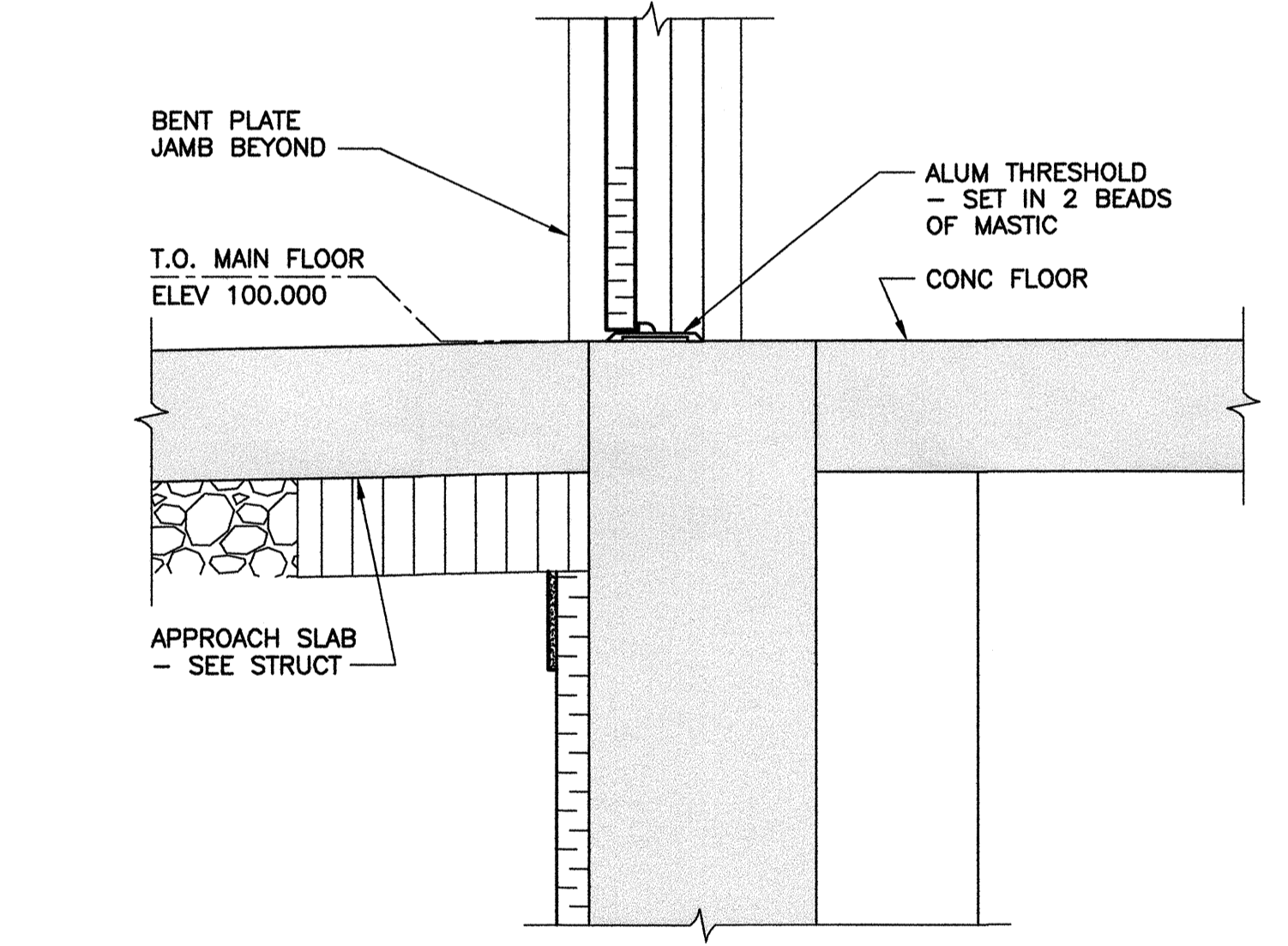
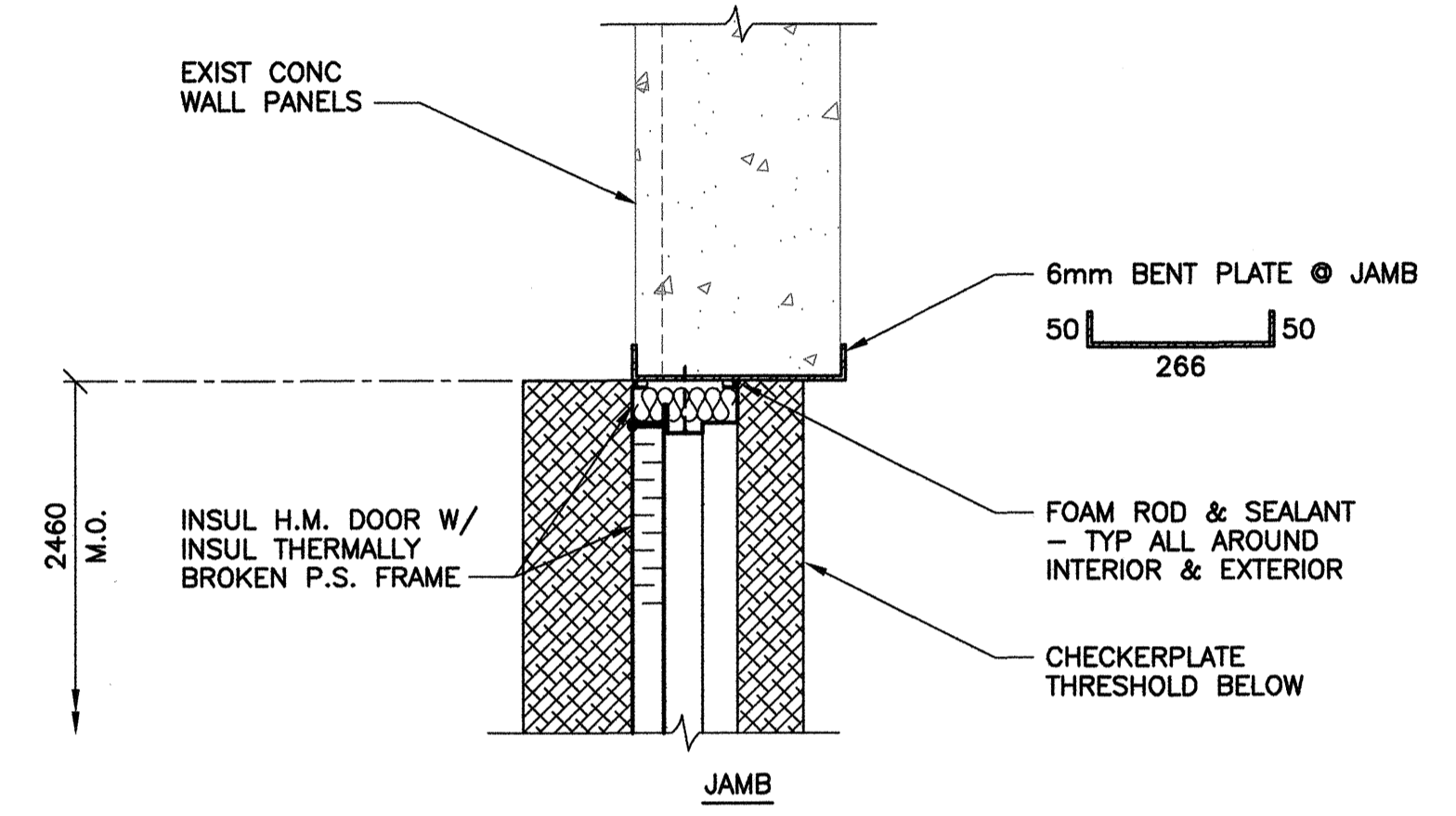
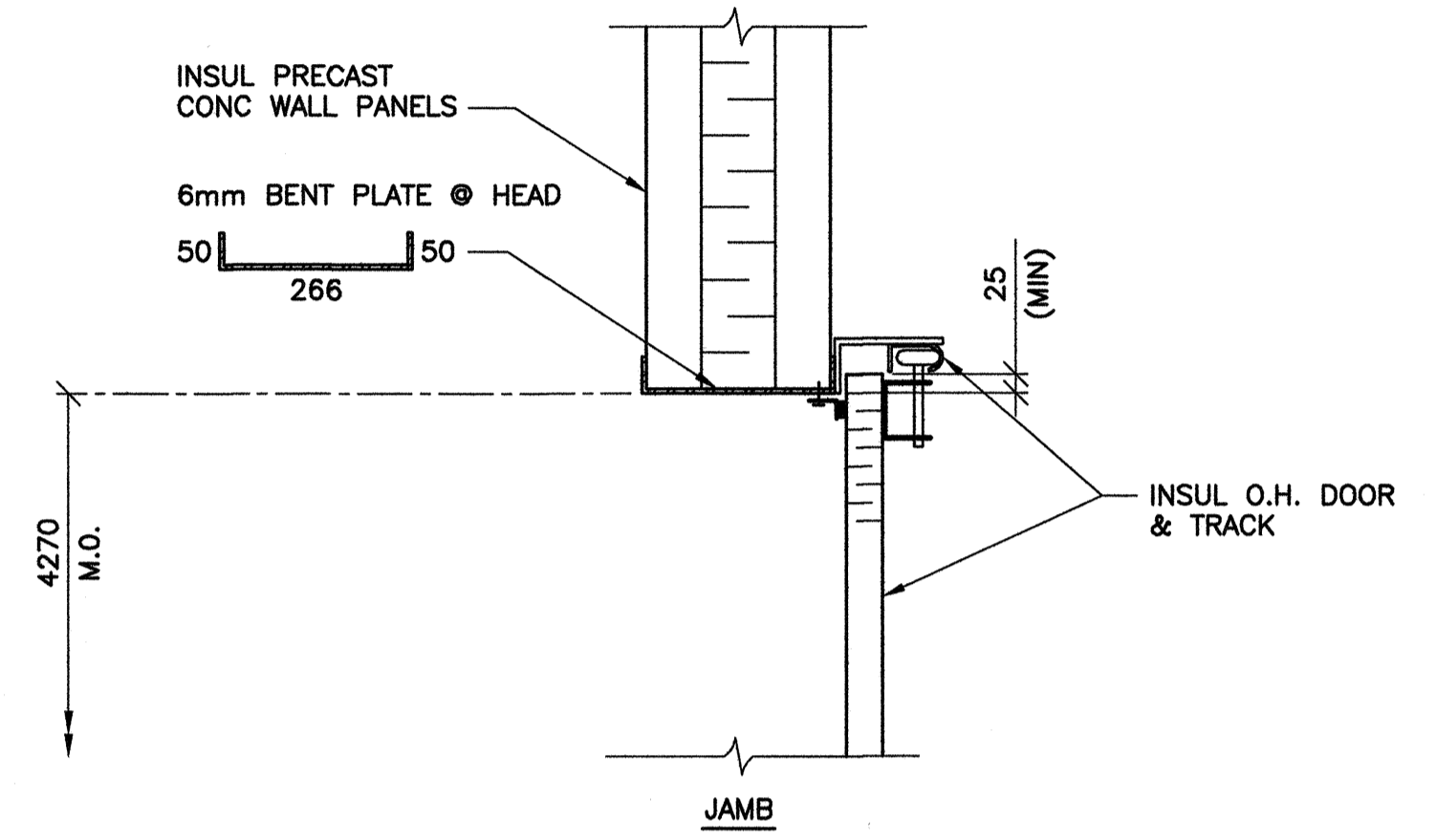
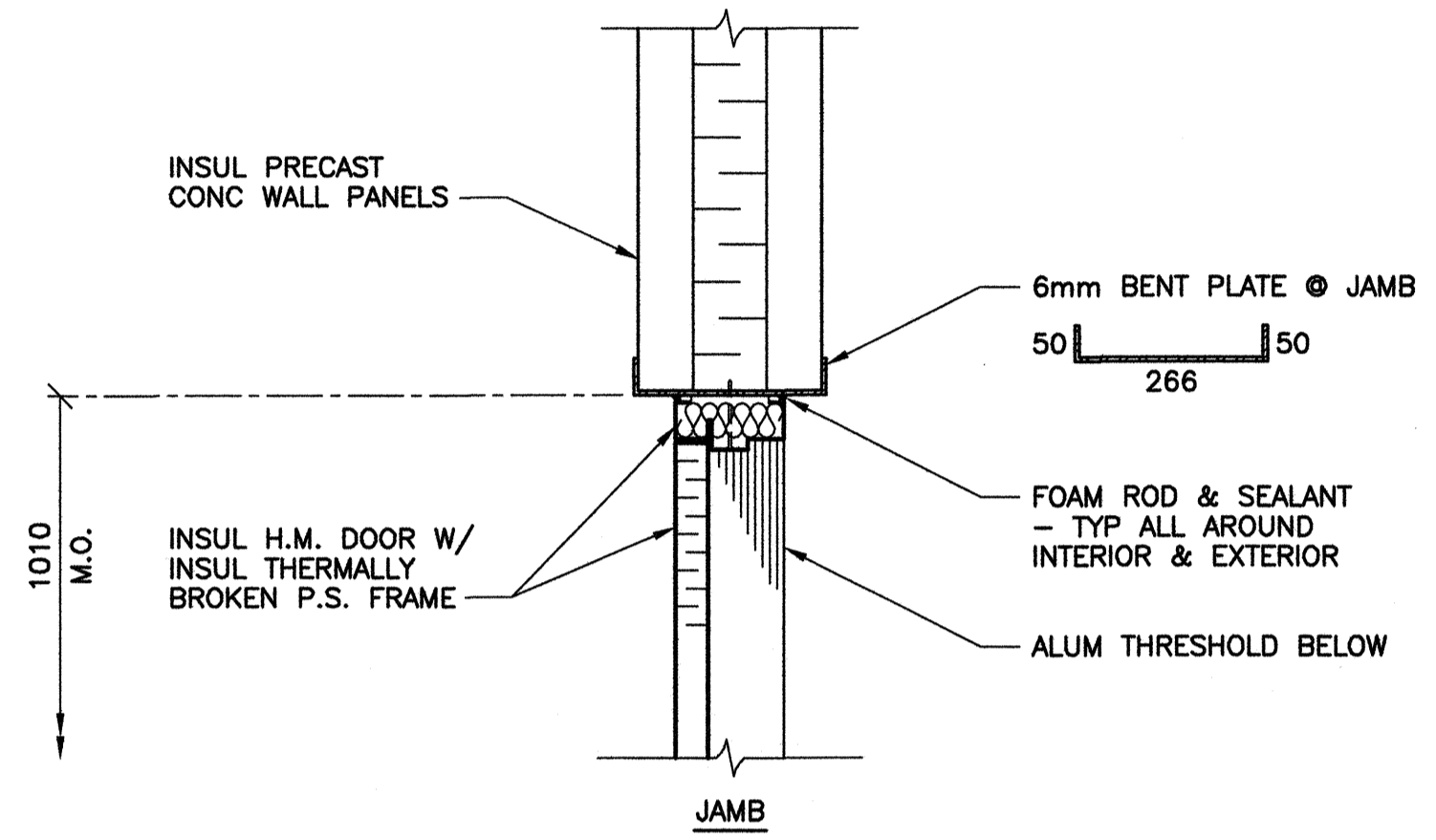
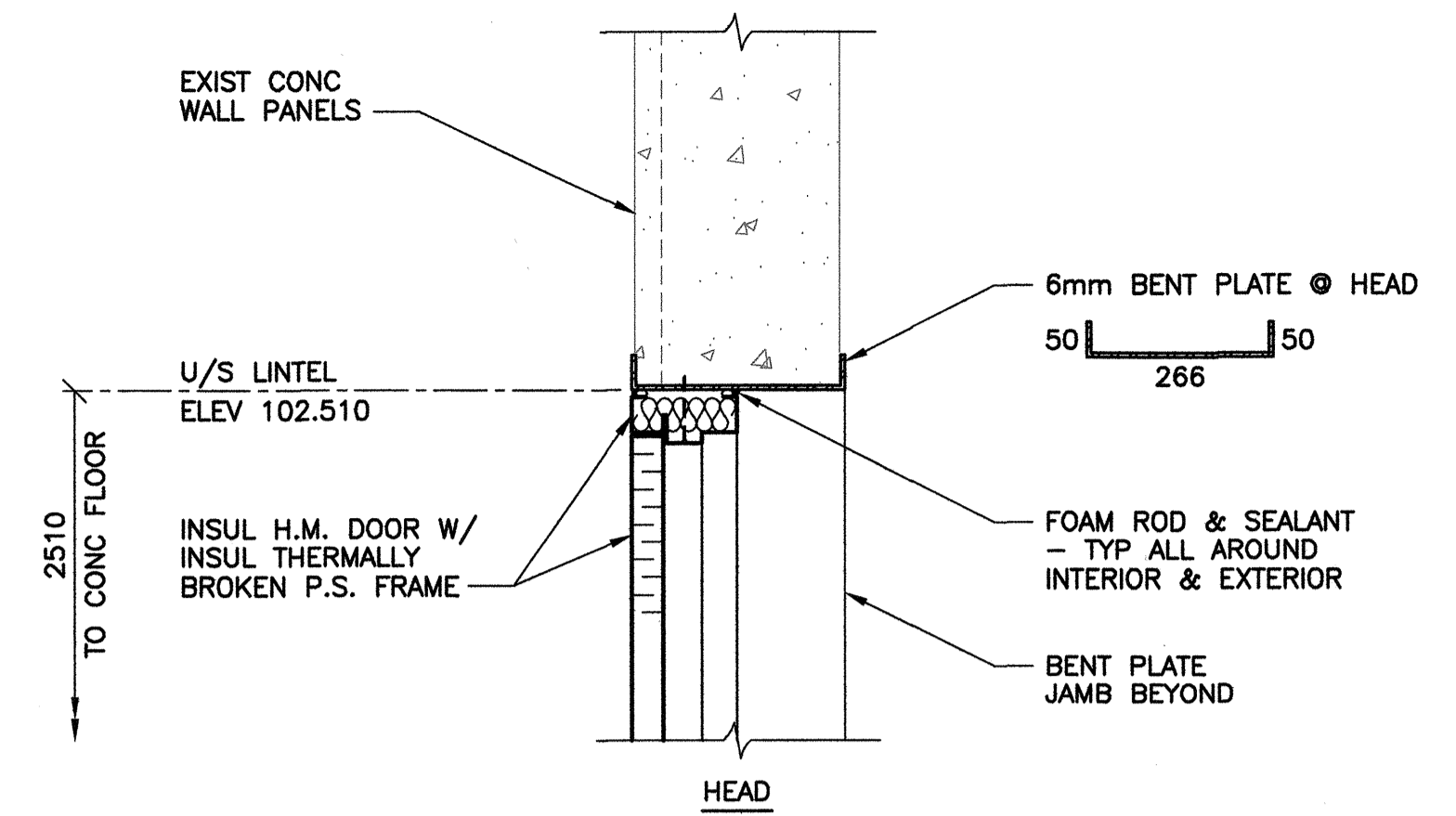
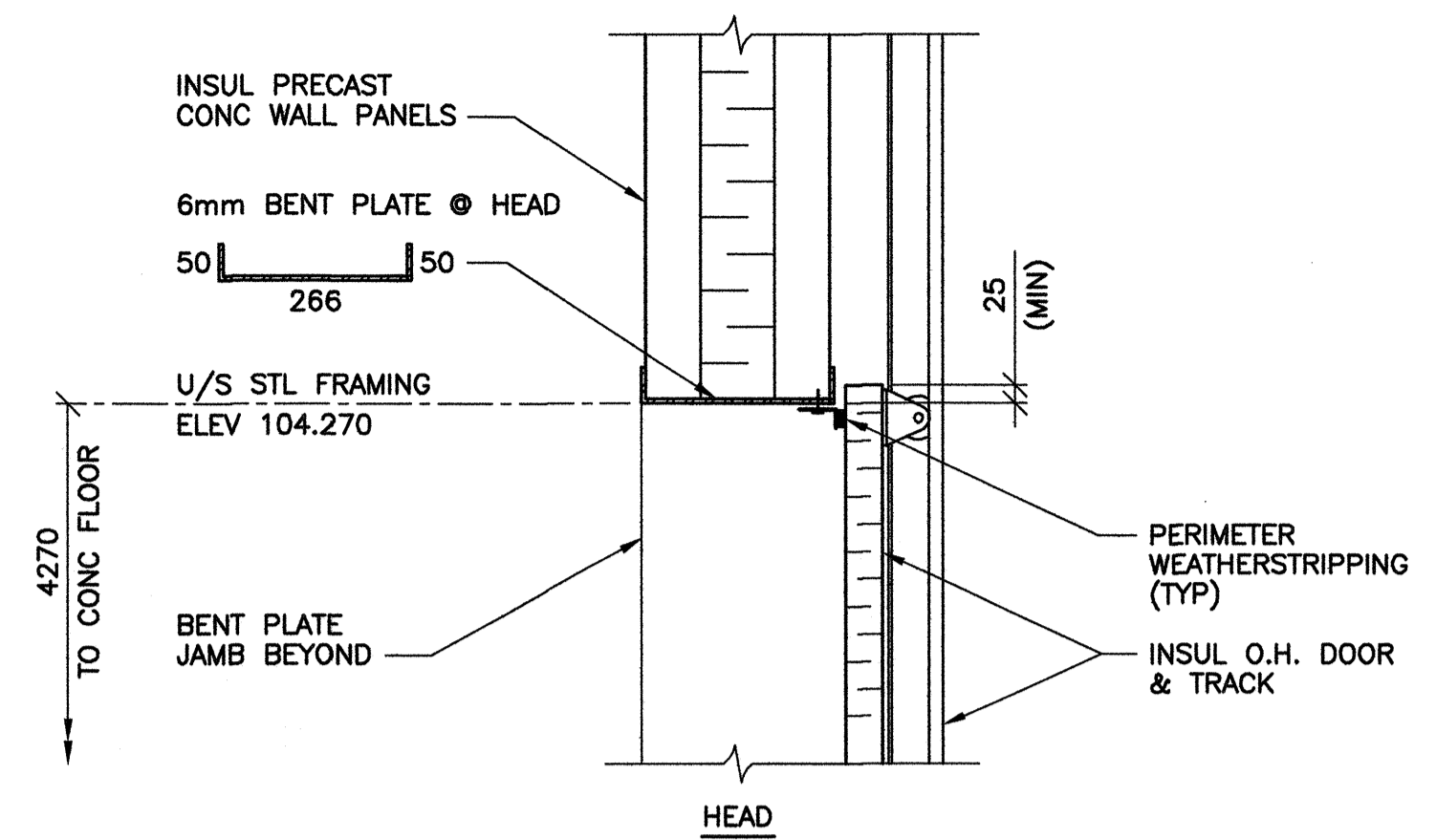
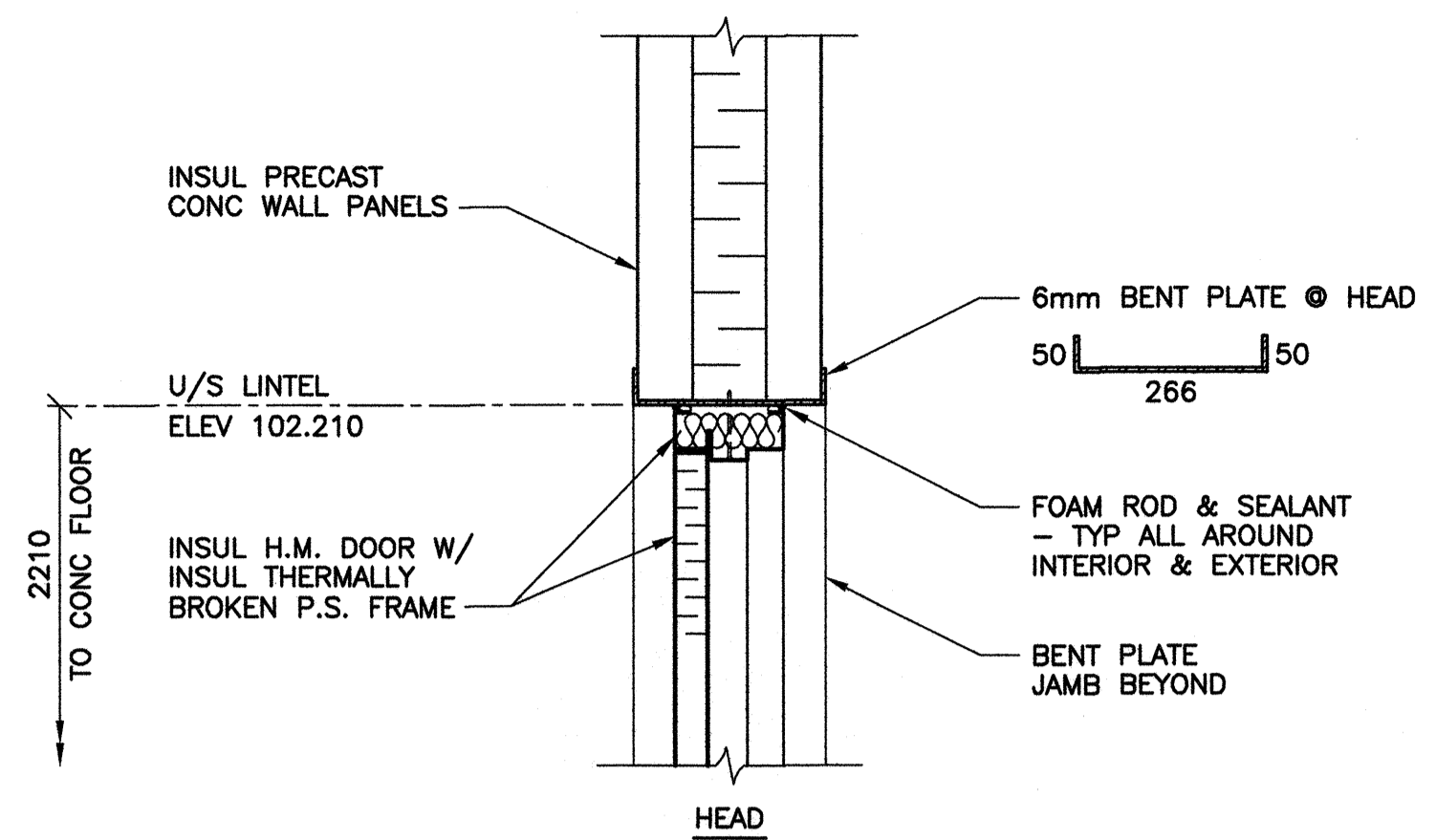


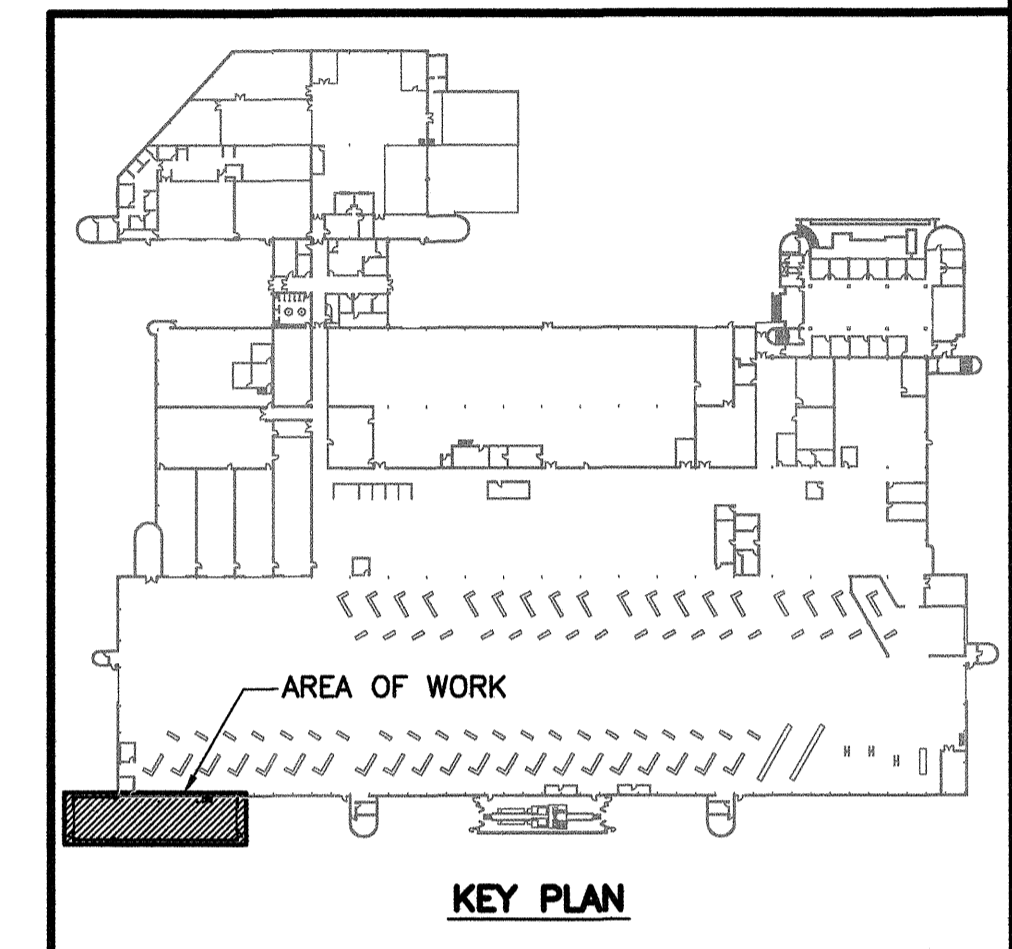
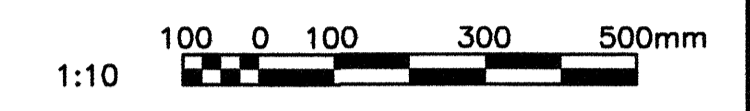
REFERENCE DRAWINGS	
NO.	DESCRIPTION



1 MANDOOR DETAILS
B0003 | B0006 1 : 10

2 OVERHEAD DOOR DETAILS
B0003, B0004 | B0006 1 : 10

3 MANDOOR DETAILS THRU EXIST WALL
B0004 | B0006 1 : 10



NO.	DATE	DESCRIPTION	PREPARED	REVIEW	DESIGN	AUTHORIZES
00	14.01.17	ISSUED FOR CONSTRUCTION	EV	CM	DLP	

DESIGNED BY: DLP
 AUTHORIZED BY: [Signature]
 PREPARED BY: EV
 DATE: 13.11.06
 REVIEWED BY: DLP
 SCALE: AS NOTED

PROVINCE OF MANITOBA
 C.P. MOTA
 Member
 24320
 REGISTERED PROFESSIONAL ENGINEER

APEGM
 Certificate of Authorization
 TETRA TECH WEI Inc.
 No. 5313 Date: April 30, 2014

REVISIONS/ISSUE: [Table with 3 columns: NO., DATE, DESCRIPTION]

SUB-CONSULTANTS:

CLIENT: **Winnipeg** CITY OF WINNIPEG TRANSIT DEPARTMENT

TETRA TECH

PROJECT NAME: CITY OF WINNIPEG TRANSIT - FORT ROUGE GARAGE BUS MAINTENANCE ADDITION

DRAWING DESCRIPTION: DOOR DETAILS

DRAWING NO: 1329720500-DWG-B0006
 REV: 00