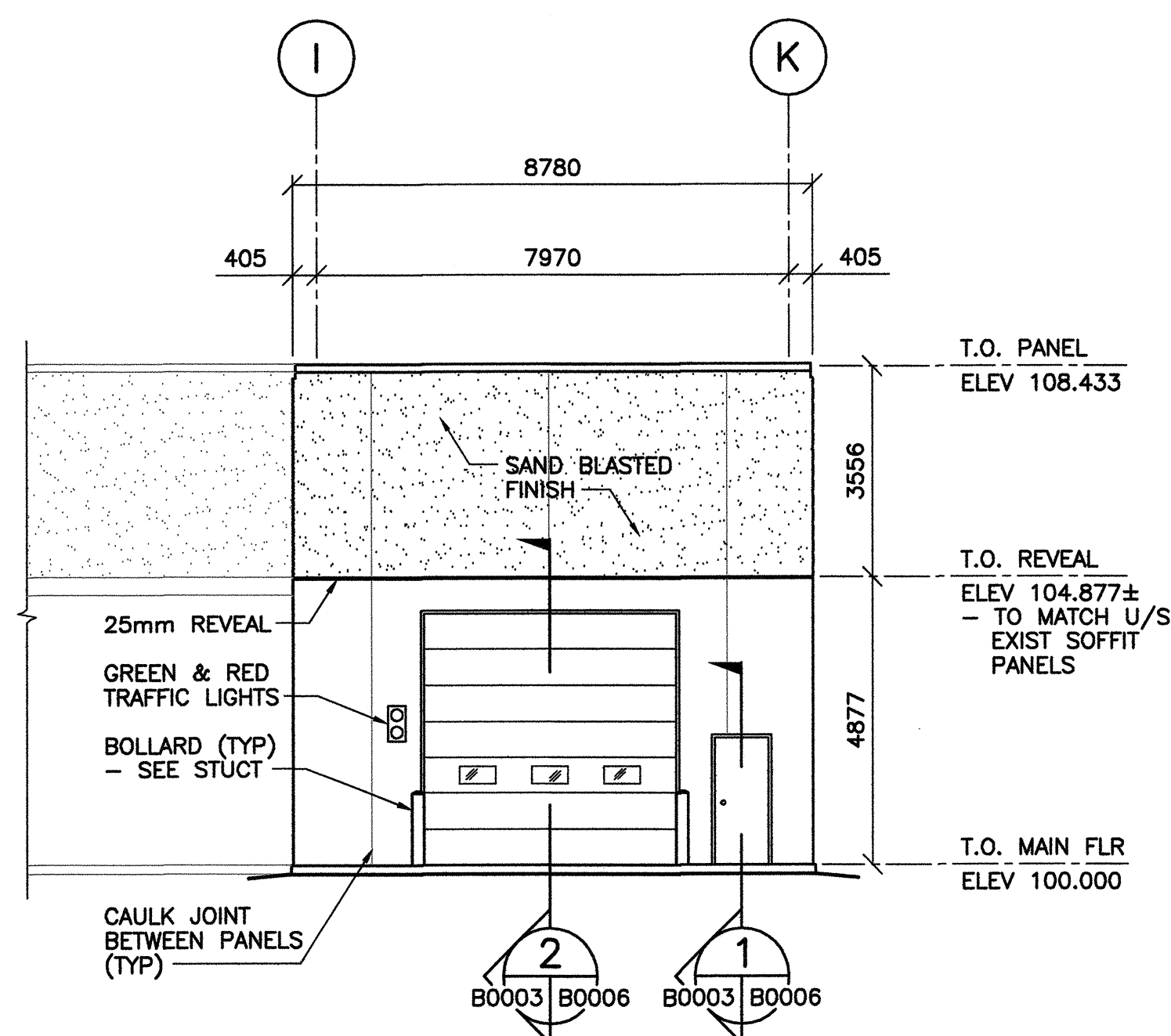
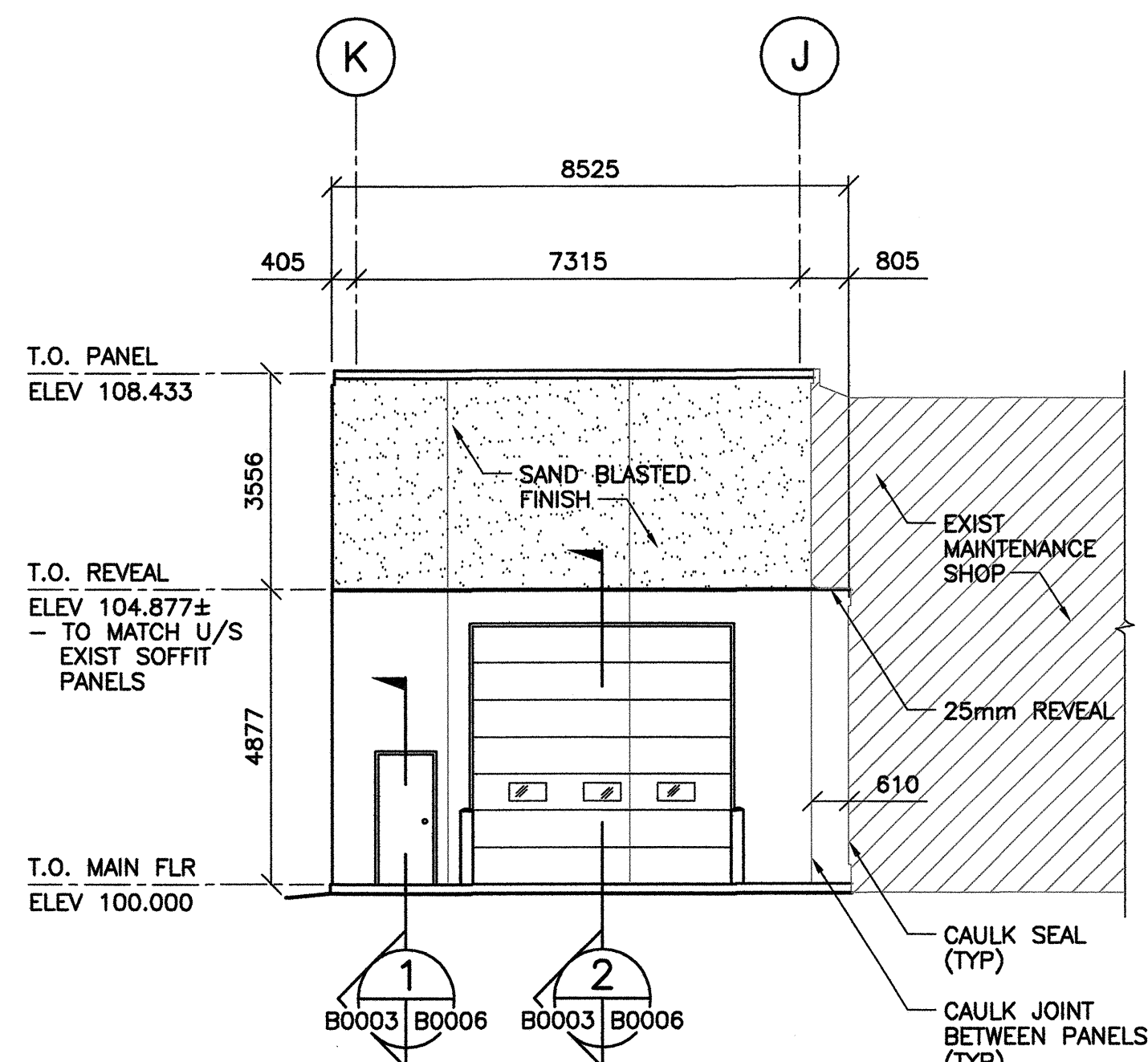


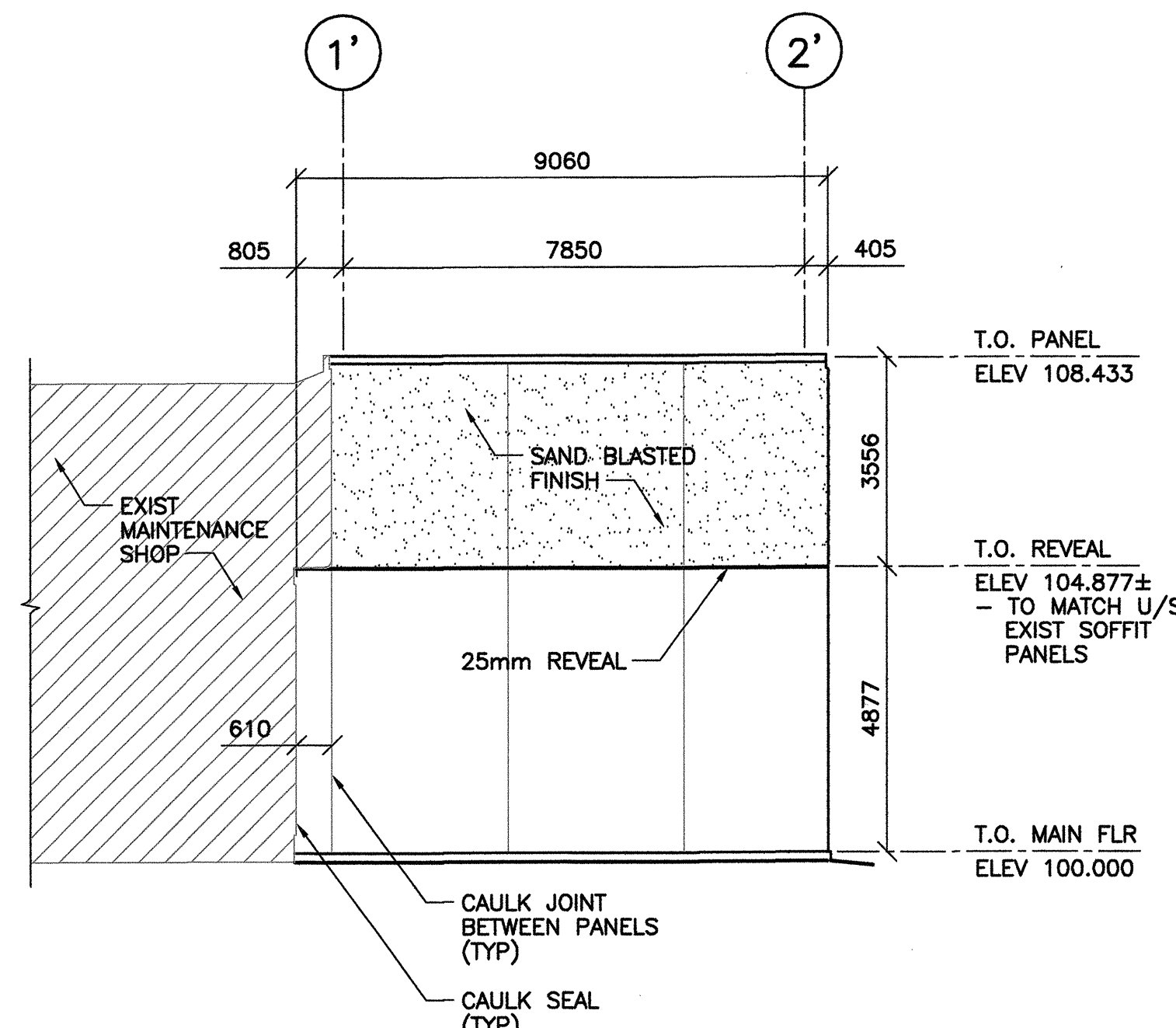
1 SOUTH ELEVATION
1 : 100



2 WEST ELEVATION
1 : 100

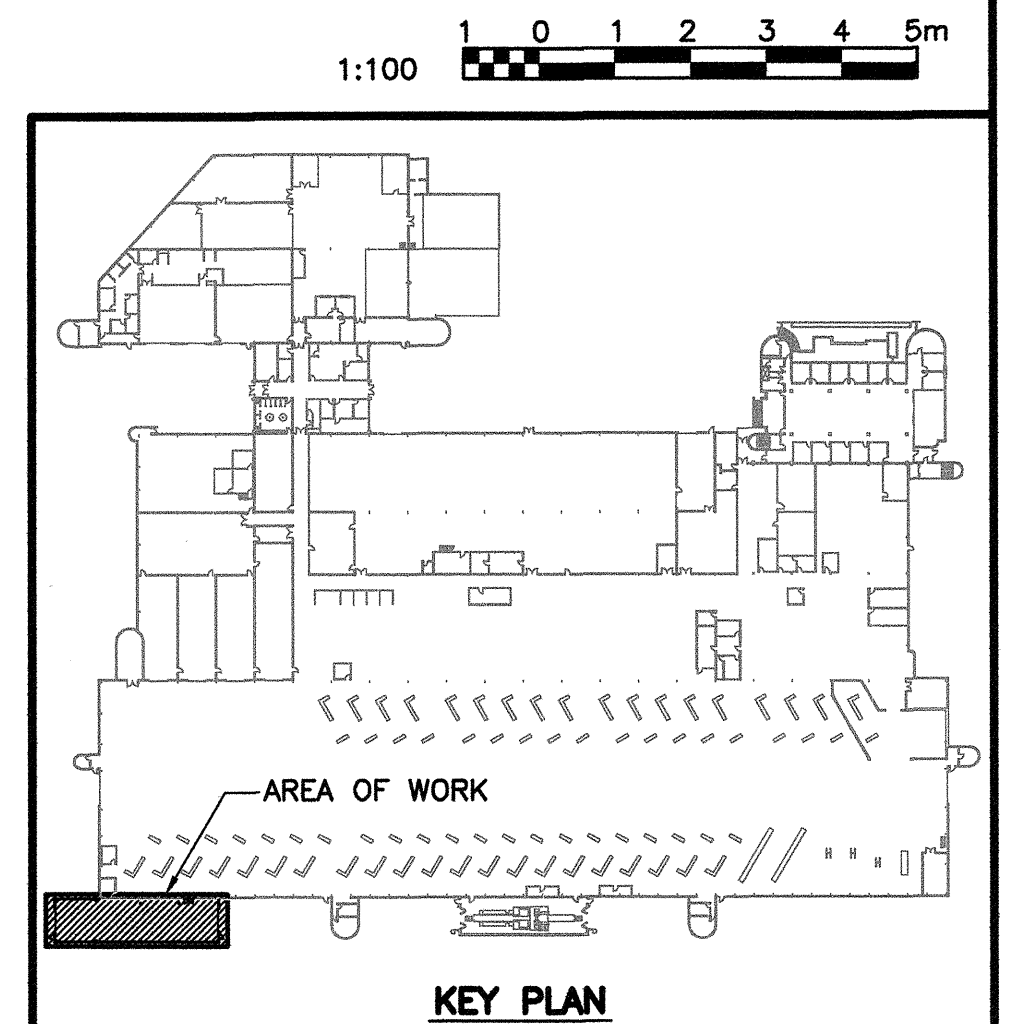


3 EAST ELEVATION
1 : 100



4 PARTIAL NORTH ELEVATION
1 : 100

REFERENCE DRAWINGS	
NO.	DESCRIPTION



NO.	DATE	DESCRIPTION	PREPARED	REVIEW	DESIGN	AUTHORIZED
00	14.01.17	ISSUED FOR CONSTRUCTION	EV	CAA	DLP	[Signature]

DESIGNED BY: DLP PREPARED BY: EV REVIEWED BY: DLP

AUTHORIZED BY: [Signature] DATE: 13.11.06 SCALE: AS NOTED

THE CONTENT OF THIS DOCUMENT IS NOT INTENDED FOR THE USE OF, NOR IS IT INTENDED TO BE RELIED UPON BY ANY PERSON, FIRM OR CORPORATION OTHER THAN THE CLIENT AND TETRA TECH WEI INC. (Tetra Tech). TETRA TECH WEI INC. (Tetra Tech) TAKES ANY LIABILITY WHATSOEVER TO OTHER PARTIES FOR DAMAGES OR INJURY SUFFERED BY SUCH THIRD PARTY ARISING FROM THE USE OF THIS DOCUMENT BY THEM, WITHOUT THE EXPRESSED WRITTEN AUTHORITY OF TETRA TECH WEI INC. (Tetra Tech) AND OUR CLIENT. THIS DOCUMENT IS SUBJECT TO FURTHER RESTRICTIONS IMPOSED BY THE CONTRACT BETWEEN THE CLIENT AND TETRA TECH WEI INC. (Tetra Tech) AND THESE PARTIES PERMISSION MUST BE SOUGHT REGARDING THIS DOCUMENT IN ALL OTHER CIRCUMSTANCES.

SEAL: [Professional Engineer Seal: PROVINCE OF MANITOBA, C.P. MOTA, Member 24320, REGISTERED PROFESSIONAL ENGINEER]

CLIENT: **Winnipeg** CITY OF WINNIPEG TRANSIT DEPARTMENT

TETRA TECH

PROJECT NAME: CITY OF WINNIPEG TRANSIT - FORT ROUGE GARAGE BUS MAINTENANCE ADDITION

DRAWING DESCRIPTION: EXTERIOR ELEVATIONS

DRAWING NO: 1329720500-DWG-B0003 REV: 00