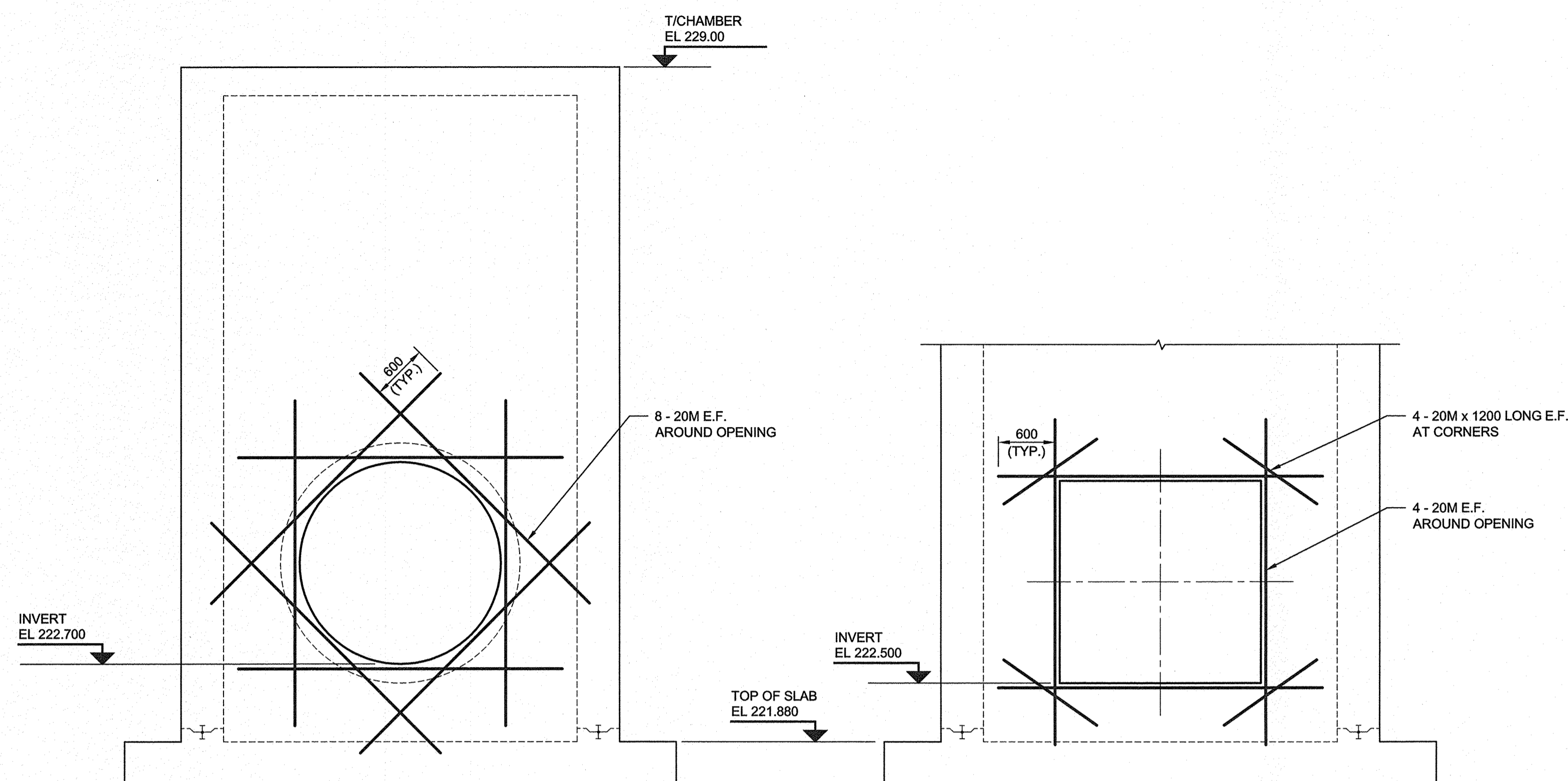
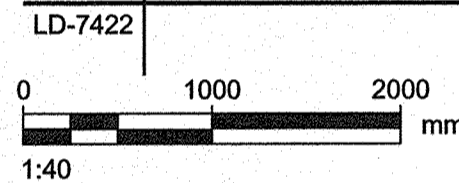
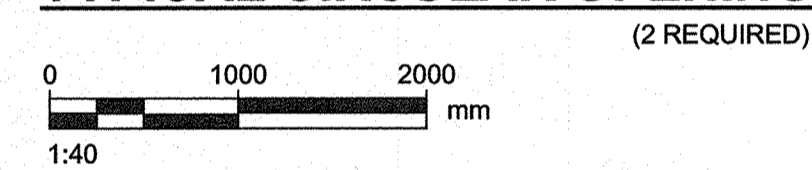


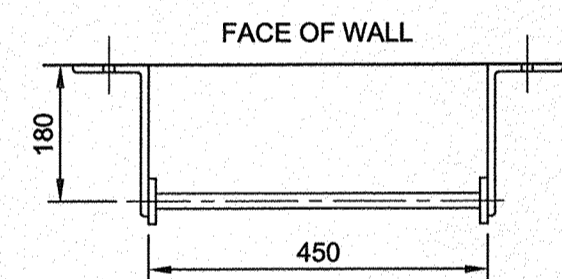
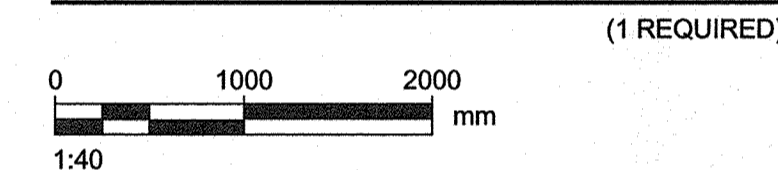
**A SECTION**



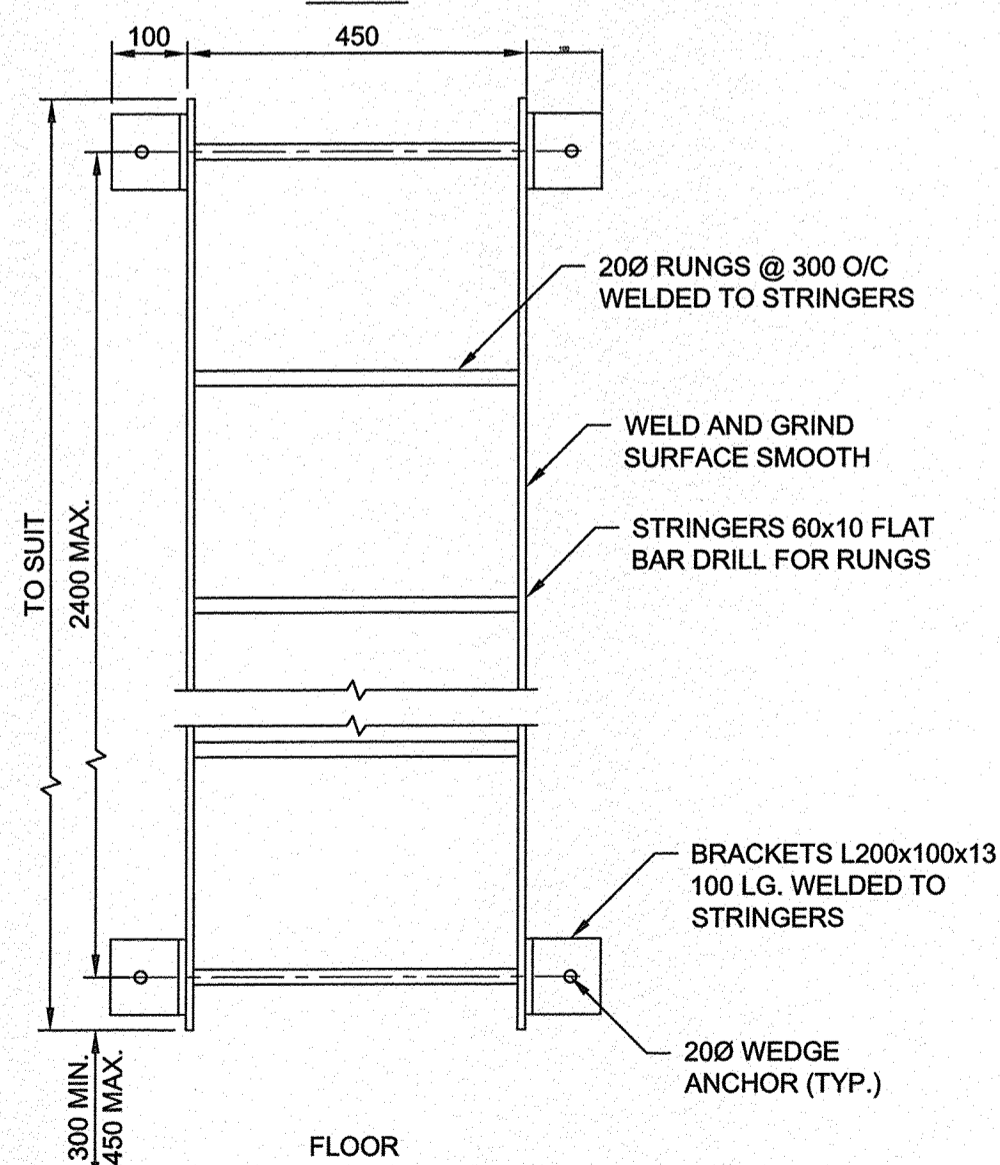
**TYPICAL CIRCULAR OPENING**



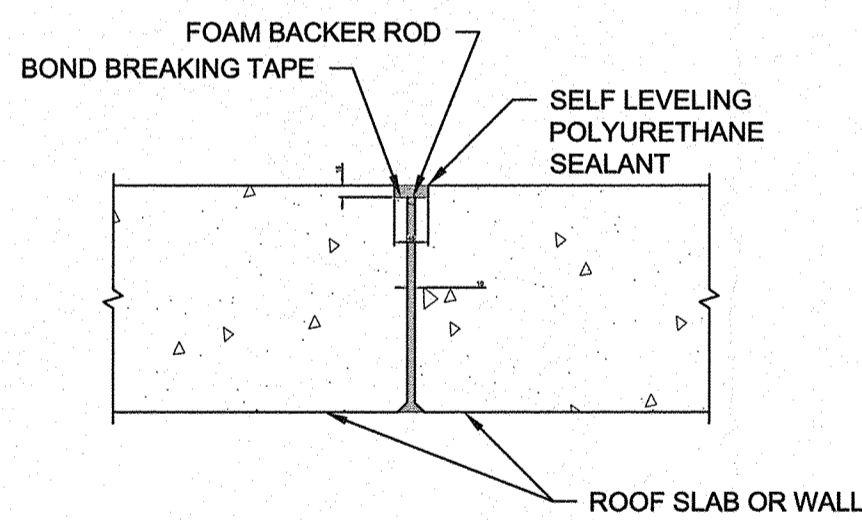
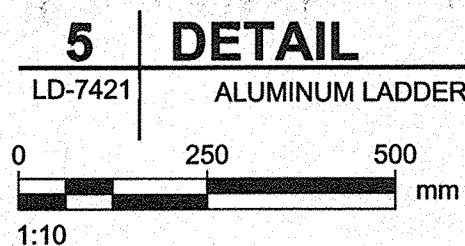
**TYPICAL SQUARE OPENING**



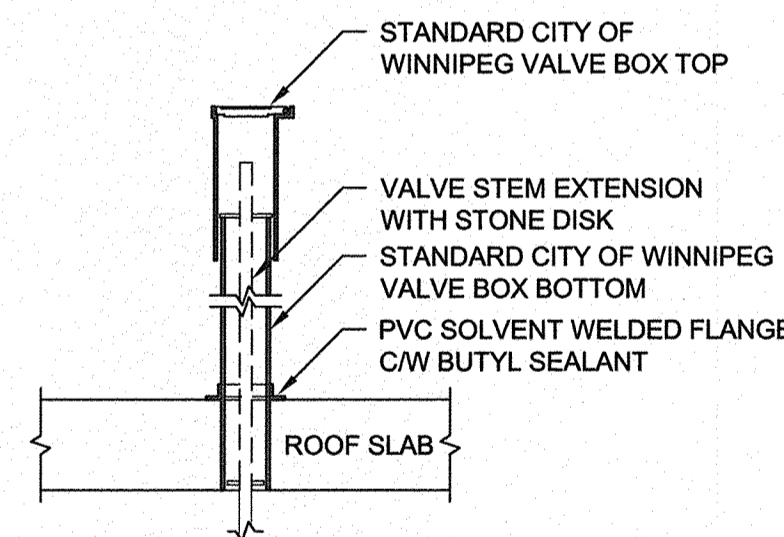
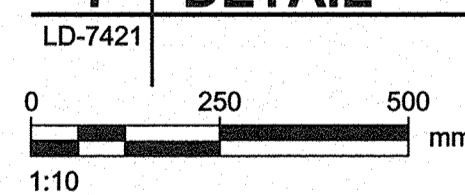
**PLAN**



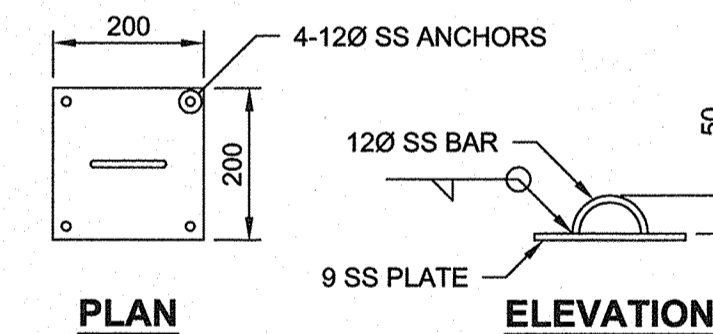
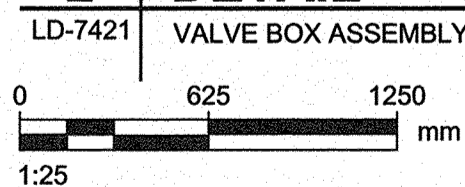
**ELEVATION**



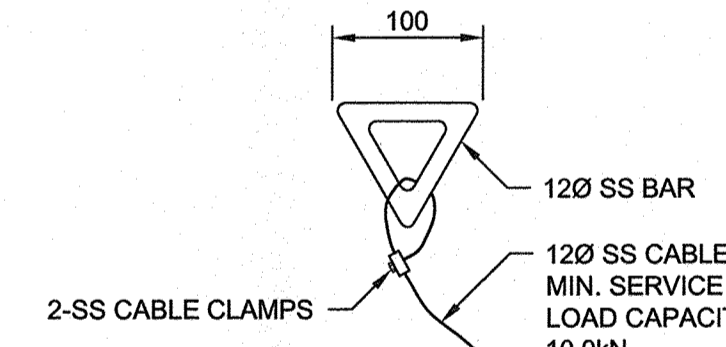
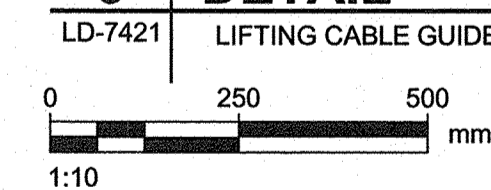
**1 DETAIL**



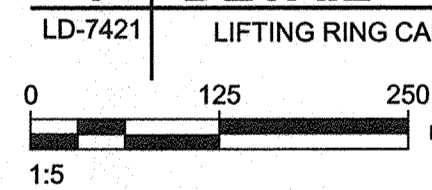
**2 DETAIL**



**3 DETAIL**



**4 DETAIL**



**LOCATION APPROVED**  
UNDERGROUND STRUCTURES

SUPR. U/G STRUCTURES DATE COMMITTEE

NOTE: LOCATION OF UNDERGROUND STRUCTURES AS SHOWN ARE BASED ON THE BEST INFORMATION AVAILABLE. BUT NO GUARANTEE IS GIVEN THAT ALL EXISTING UTILITIES ARE SHOWN OR THAT THE GIVEN LOCATIONS ARE EXACT. CONFIRMATION OF EXISTENCE AND EXACT LOCATION OF ALL SERVICES MUST BE OBTAINED FROM THE INDIVIDUAL UTILITIES BEFORE PROCEEDING WITH CONSTRUCTION.

NO.	REVISIONS	DATE	BY
0	ISSUED FOR TENDER	14/11/12	Wjd

**AECOM**

DESIGNED BY: JAT  
DRAWN BY: ADL  
HOR. SCALE: 1:250  
VERT. SCALE: 1:50  
DATE:

CHECKED BY: EOT  
APPROVED BY: [Signature]  
RELEASED FOR CONSTRUCTION  
DATE:

**APEGM**  
Certificate of Authorization  
AECOM Canada Ltd.  
No. 4671 Date: 2014/11/13

PROFESSIONAL'S SEAL  
S.B. BISWANGER  
REGISTERED PROFESSIONAL ENGINEER  
CONSULTANT DRAWING NO. 60219315-SHT-00-Com4-S-4003

**THE CITY OF WINNIPEG**  
WATER AND WASTE DEPARTMENT

JEFFERSON EAST  
COMBINED SEWER RELIEF  
CONTRACT 4 - SEMPLE OUTFALL  
GATE CHAMBER  
STRUCTURAL REINFORCING DETAILS 2

SHEET 07 OF 07  
CITY DRAWING NUMBER  
LD-7423  
REV 0

BID OPPORTUNITY NO. 1062-2014