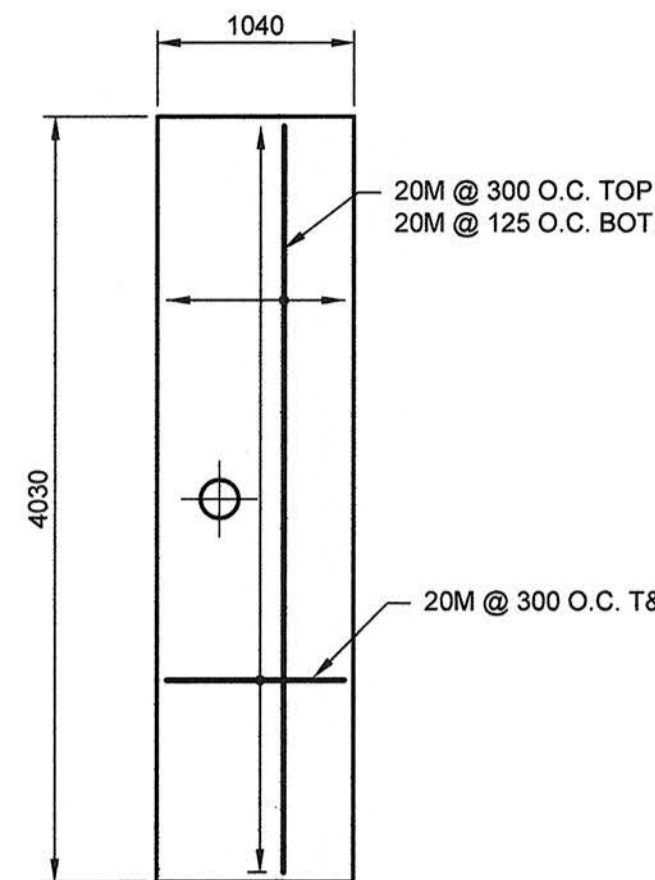
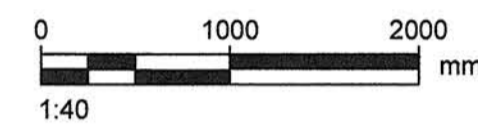
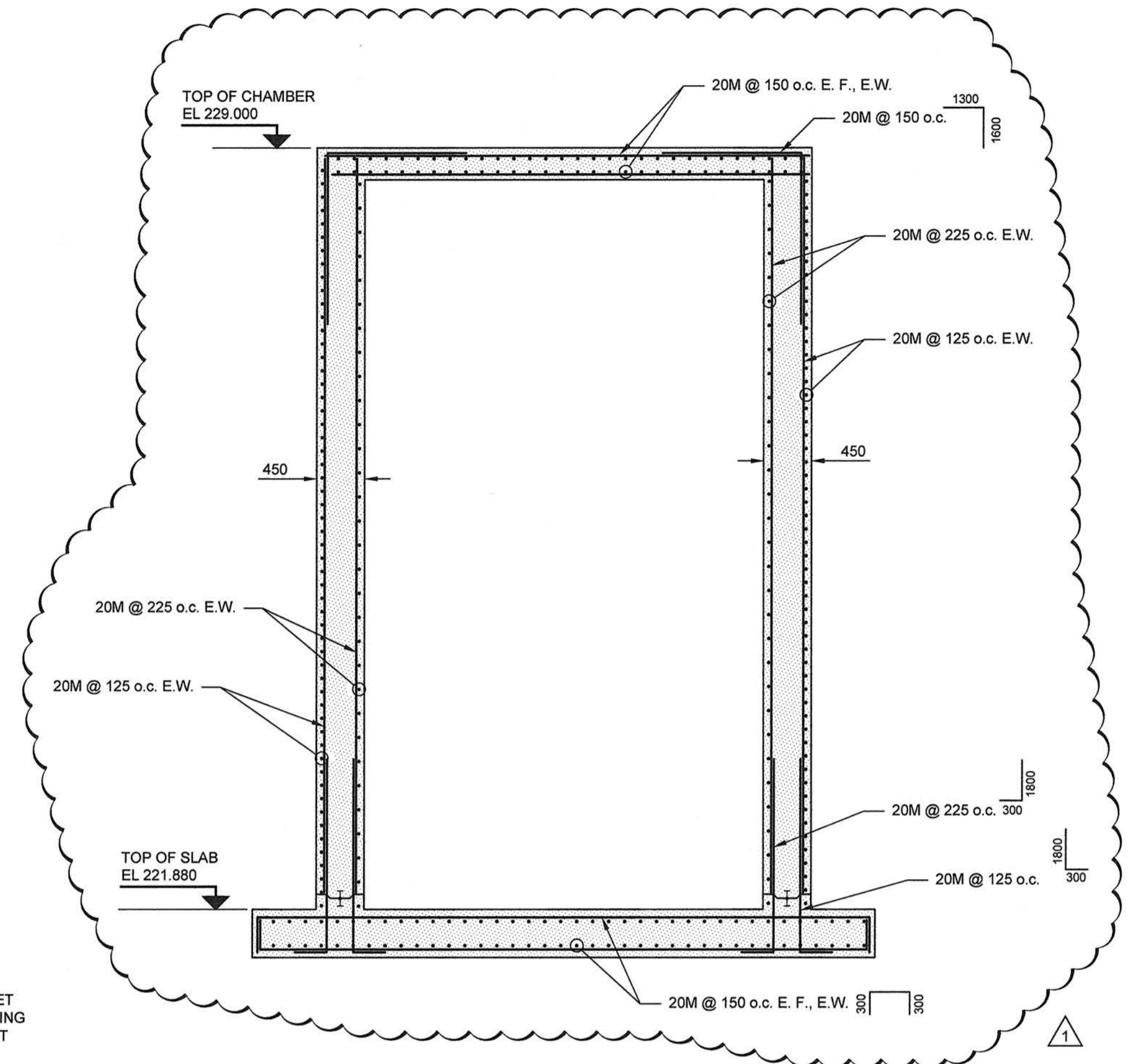
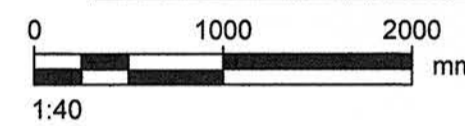


ROOF SLAB REINFORCING PLAN

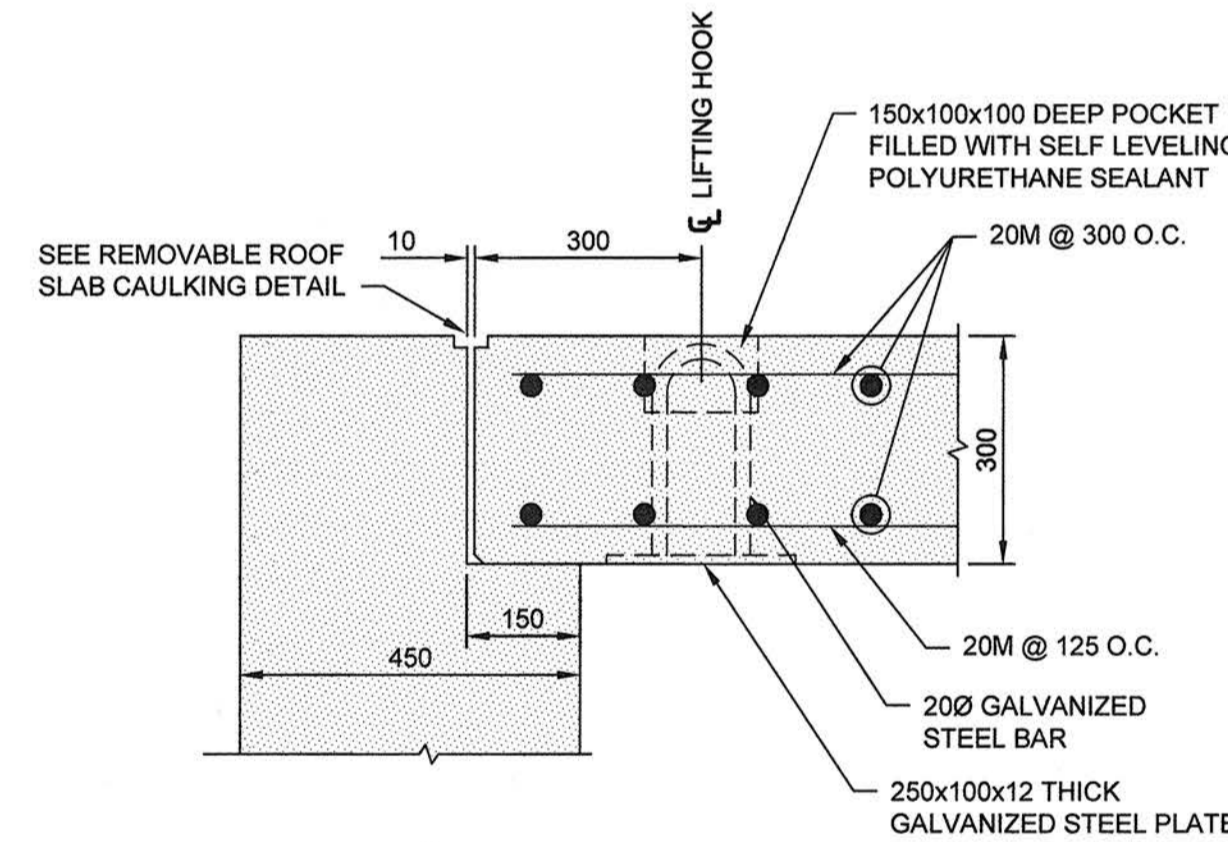
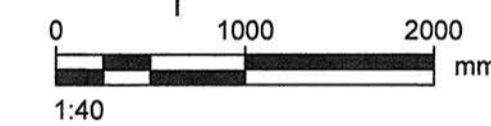


NOTE: SLEEVE TO BE CAST INTO REMOVABLE SLAB FOR VALVE BOX. CONFIRM LOCATION OF SLUICE GATE STEM PRIOR TO FABRICATION

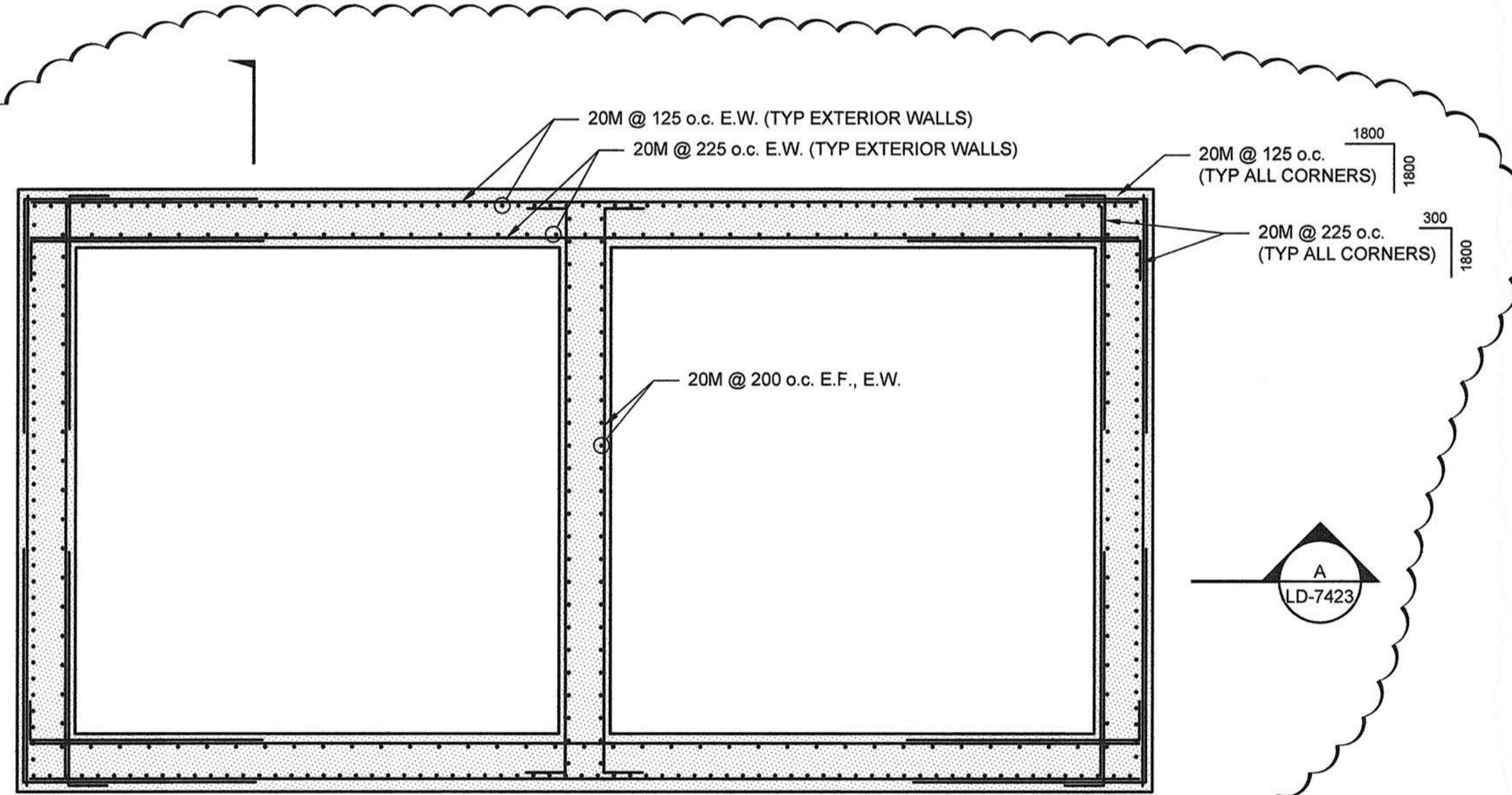
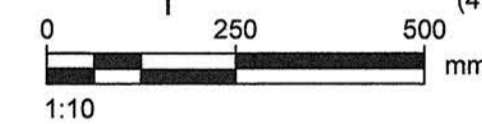
REMOVABLE ROOF SLAB REINFORCING PLAN



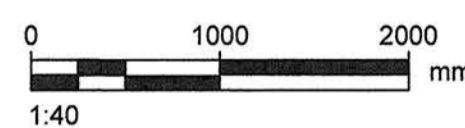
B SECTION



DETAIL
 LD-7420 REMOVABLE ROOF SLAB LIFTING LUGS (4 REQUIRED PER SLAB)



REINFORCING PLAN AT EL 228.00



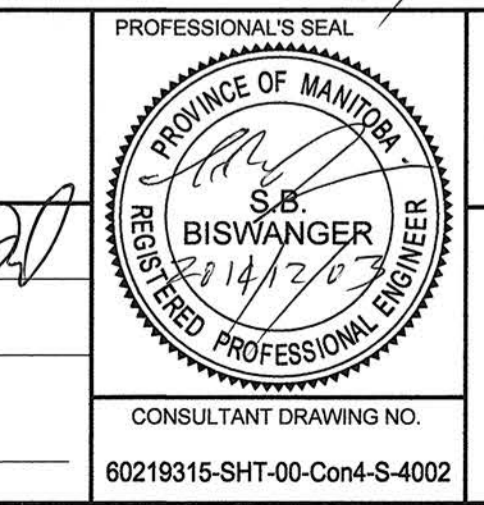
METRIC
 WHOLE NUMBERS INDICATE MILLIMETRES
 DECIMALIZED NUMBERS INDICATE METRES

LOCATION APPROVED
 UNDERGROUND STRUCTURES

SUPR. U/G STRUCTURES COMMITTEE DATE
 NOTE:
 LOCATION OF UNDERGROUND STRUCTURES AS SHOWN ARE BASED ON THE BEST INFORMATION AVAILABLE, BUT NO GUARANTEE IS GIVEN THAT ALL EXISTING UTILITIES ARE SHOWN OR THAT THE GIVEN LOCATIONS ARE EXACT. CONFIRMATION OF EXISTENCE AND EXACT LOCATION OF ALL SERVICES MUST BE OBTAINED FROM THE INDIVIDUAL UTILITIES BEFORE PROCEEDING WITH CONSTRUCTION.

NO.	REVISIONS	YY/MM/DD	BY
1	ISSUED FOR ADDENDUM 2	14/12/03	KMB
0	ISSUED FOR TENDER	14/11/12	WJd

DESIGNED BY	JAT	CHECKED BY	[Signature]
DRAWN BY	ADL	APPROVED BY	[Signature]
HOR. SCALE	1:250	RELEASED FOR CONSTRUCTION	[Signature]
VERT. SCALE	1:50	DATE	



THE CITY OF WINNIPEG WATER AND WASTE DEPARTMENT

JEFFERSON EAST COMBINED SEWER RELIEF CONTRACT 4 - SEMPLE OUTFALL GATE CHAMBER

STRUCTURAL REINFORCING DETAILS

SHEET 06 OF 07
 CITY DRAWING NUMBER LD-7422
 REV 1

BID OPPORTUNITY NO. 1062-2014