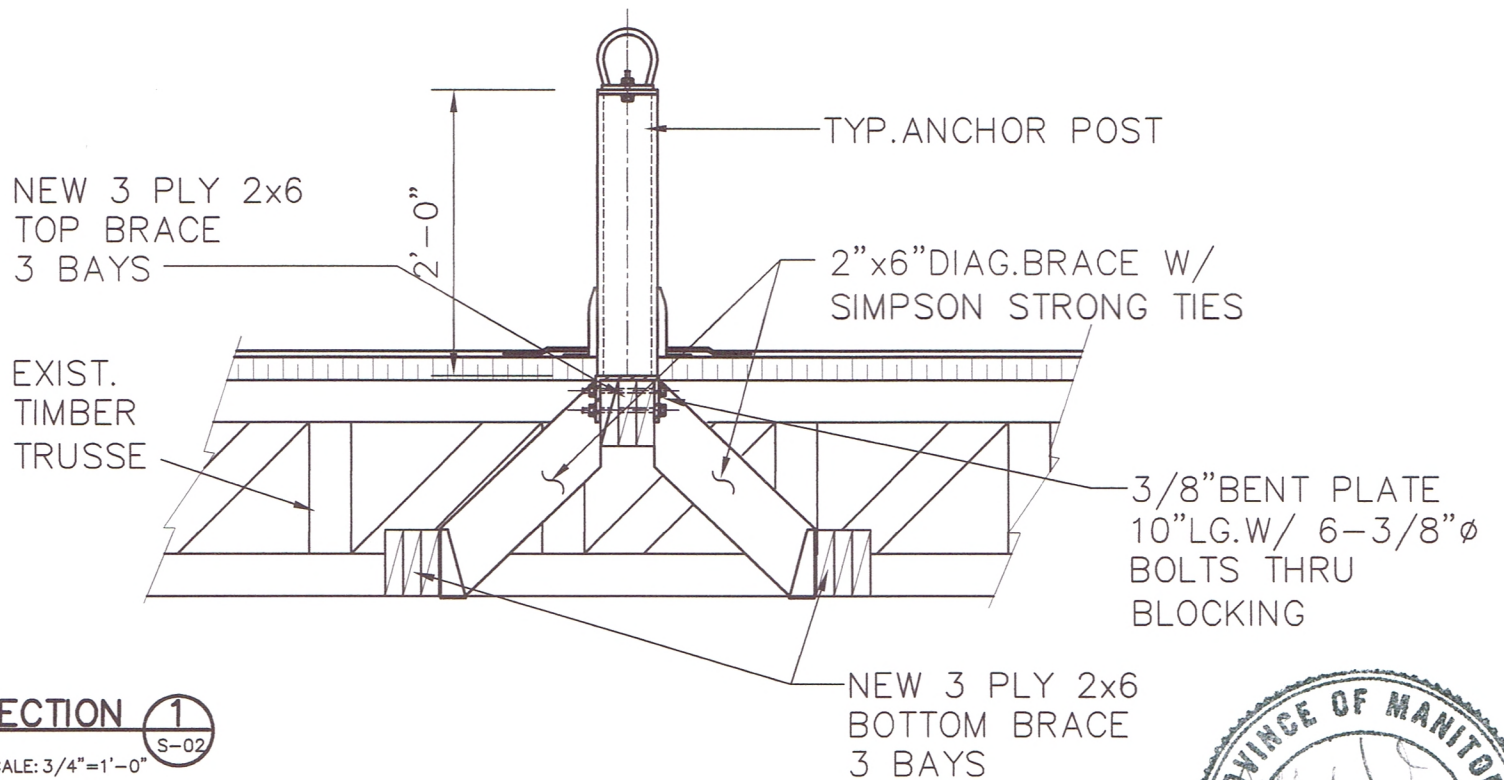


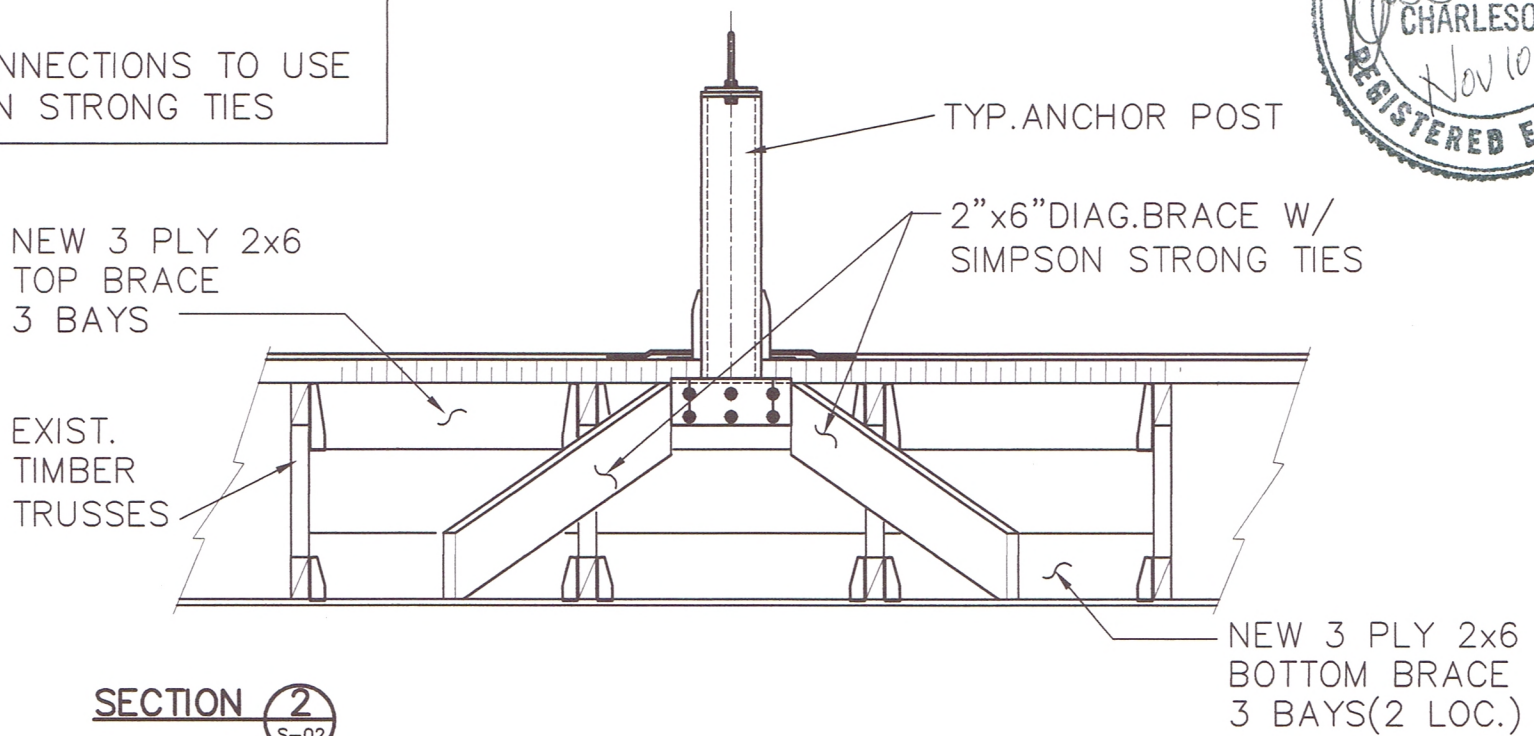
ROOF FRAMING PLAN

SCALE: 3/4" = 1'-0"

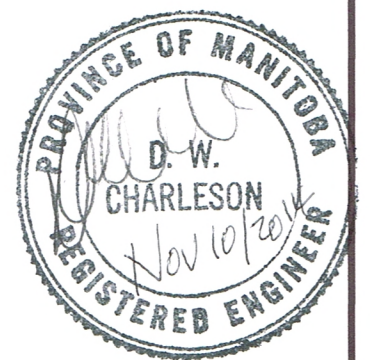


SECTION 1
SCALE: 3/4" = 1'-0"

NOTE:
ALL CONNECTIONS TO USE SIMPSON STRONG TIES



SECTION 2
SCALE: 3/4" = 1'-0"



CHARLESON ENGINEERING LTD.

101-1200 Pembina Hwy.
WINNIPEG, MANITOBA
TEL. (204) 895-1474

**WESTDALE
COMMUNITY CENTRE
PARKS, CITY OF WINNIPEG**

**FALL ARREST ROOF ANCHORS
ANCHOR INSTALLATION DETAILS**

SCALE:
AS SHOWN

DATE:
NOV., 2014

DESIGNED BY:
D.C.

DRAWN BY:
LDM

SHEET:

WD-S-02