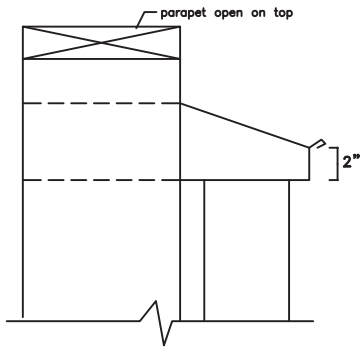
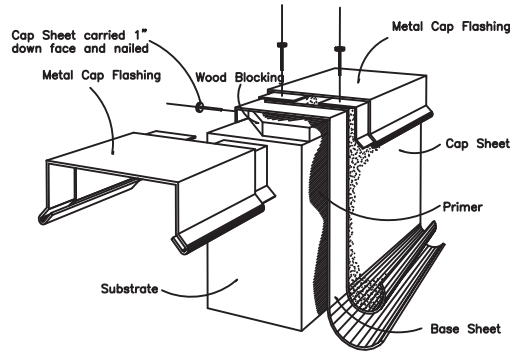


Typical Scupper

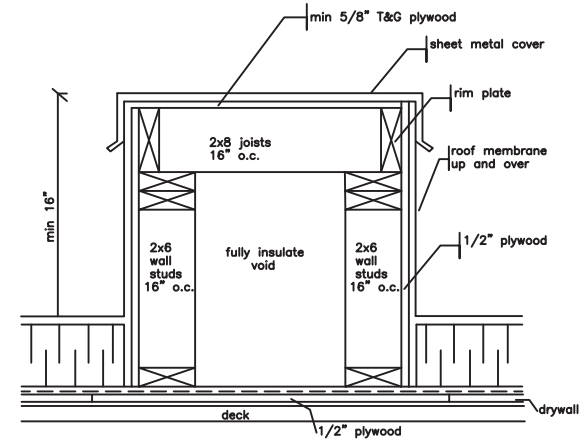


Notes:
 Scupper shall be 4 sided through parapet
 Scupper shall be minimum 8" wide x 6" high

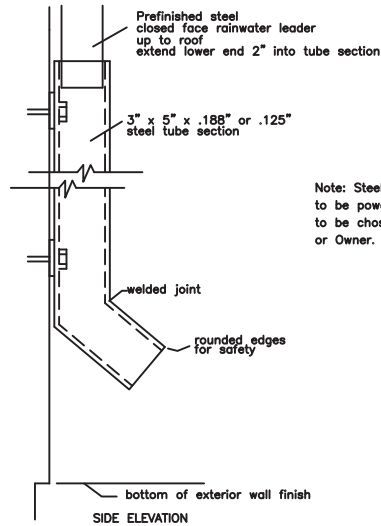
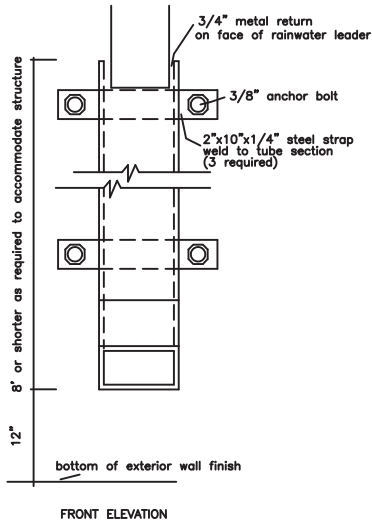
Parapet / Divider



Covered Mechanical Curb

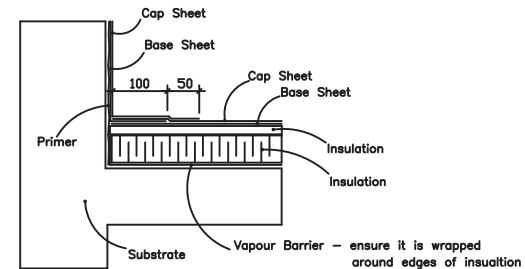


Structural Down Pipes



Note: Steel down pipes are to be powder coated. Color to be chosen by the Consultant or Owner.

Typical Roof Edge Detail



Note: Modified Bitumen stippling used in conjunction with 4 ply felt membrane is to have base sheet extend 12 inches onto flat and cap sheet 18 inches onto flat.

AGASSIZ CONSULTING GROUP	
809 Pipeline Road, Winnipeg, Manitoba Phone: 697-8091 Fax: 697-8039	
Project: Westdale Community Center 550 Dale Blvd. Winnipeg, MB	
Date: July 24, 2013	
Drawing No.	D-1
File no: 3497-13	Scale: N.T.S.