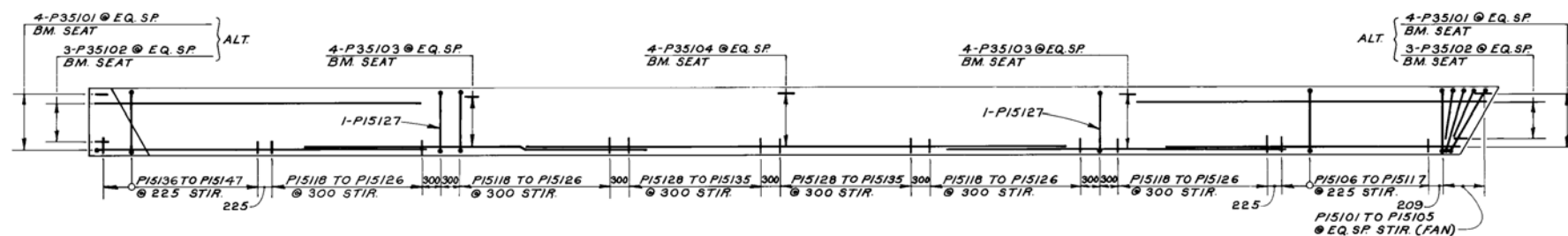
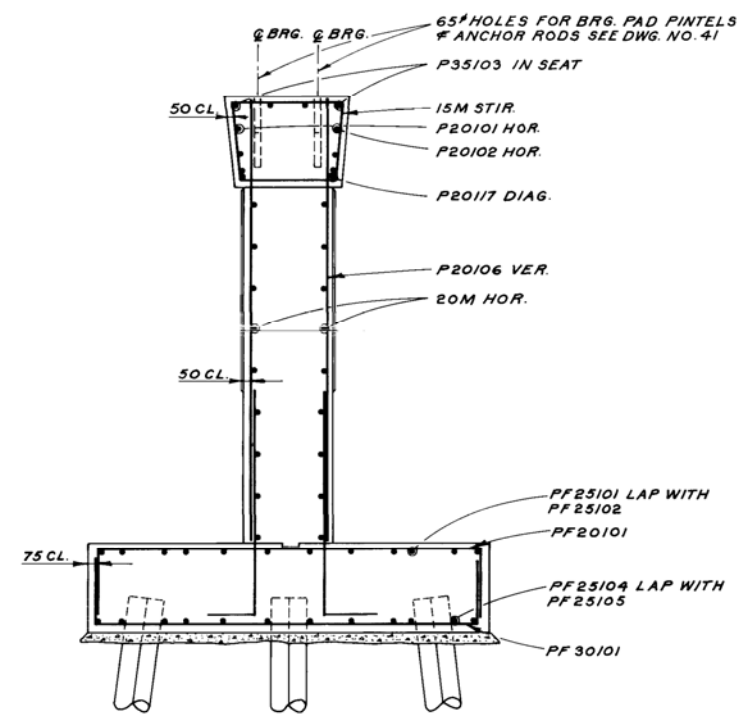


FOOTING PLAN

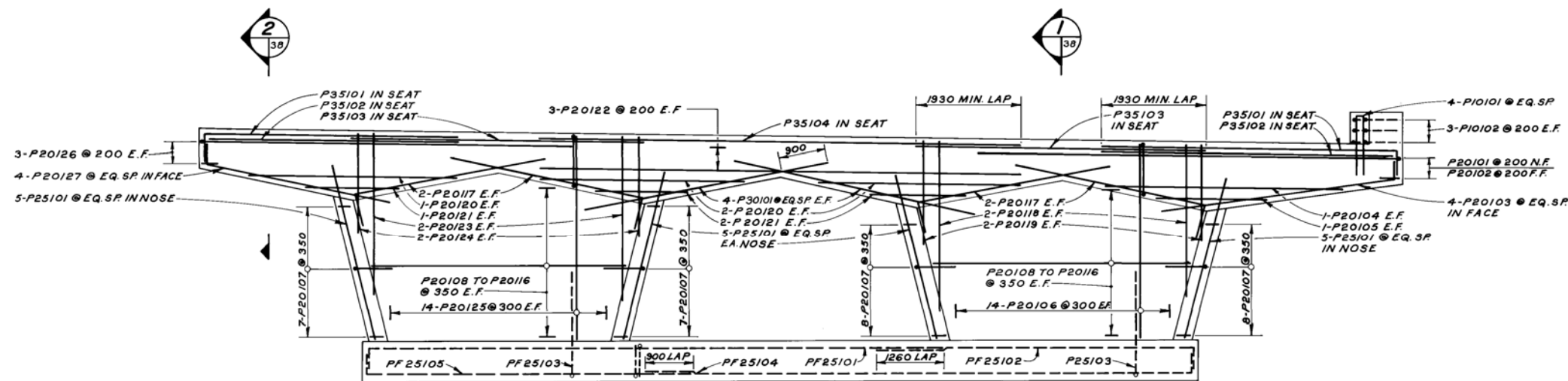


PIER CAP PLAN

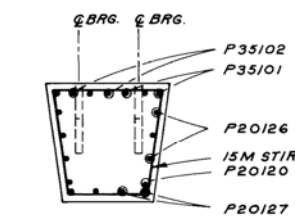
NOTE: LONG. REINF. SHALL BE PLACED SO AS TO MISS HOLES FOR BRG. PAD PINTELS & ANCHOR RODS. SEE DWG. NO. 41.



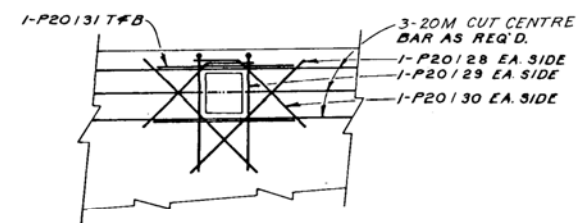
SECTION 1
SCALE: 1:30



ELEVATION



SECTION 2
SCALE: 1:30



LIGHT INSERT DETAIL
SCALE: 1:30
SHOWING ADDITIONAL REINFORCING SEE DWG. NO. 37 FOR LOCATION. 4-REQ'D. PER PIER.

AS SUPPL
RAIL
B-5424

 Consulting Engineers & Planners C.I.D. C.R.B. L.D.M. 80-08-25 23/9/80 23/9/80 23/9/80	 THE CITY OF WINNIPEG WORKS & OPERATIONS STREETS & TRANSPORTATION	STURGEON CREEK BRIDGE ON PORTAGE AVENUE NORTH STRUCTURE PIERS SU-6 & SU-7 REINF.
		AUTHORIZED BY <i>[Signature]</i> DATE 1980-10-22 ACCEPTED BY <i>[Signature]</i> DATE 10-20-80 1:50 OR AS NOTED B178-80-38