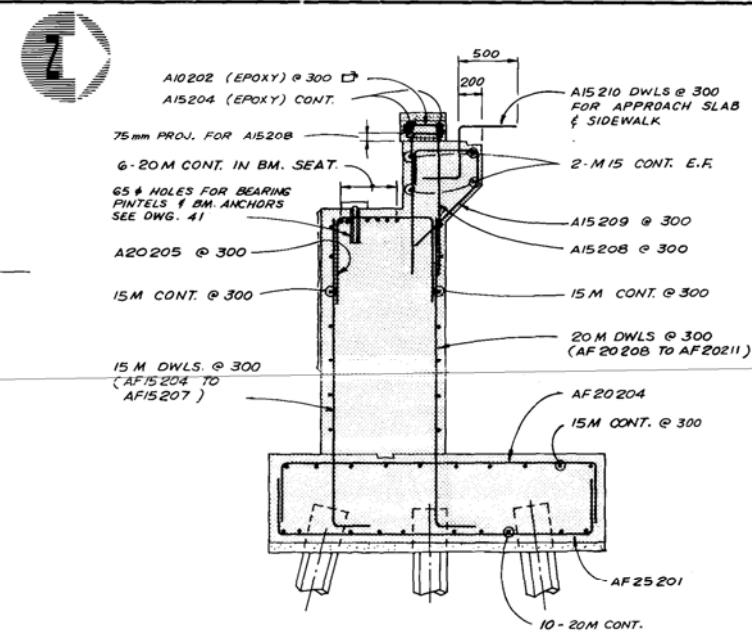


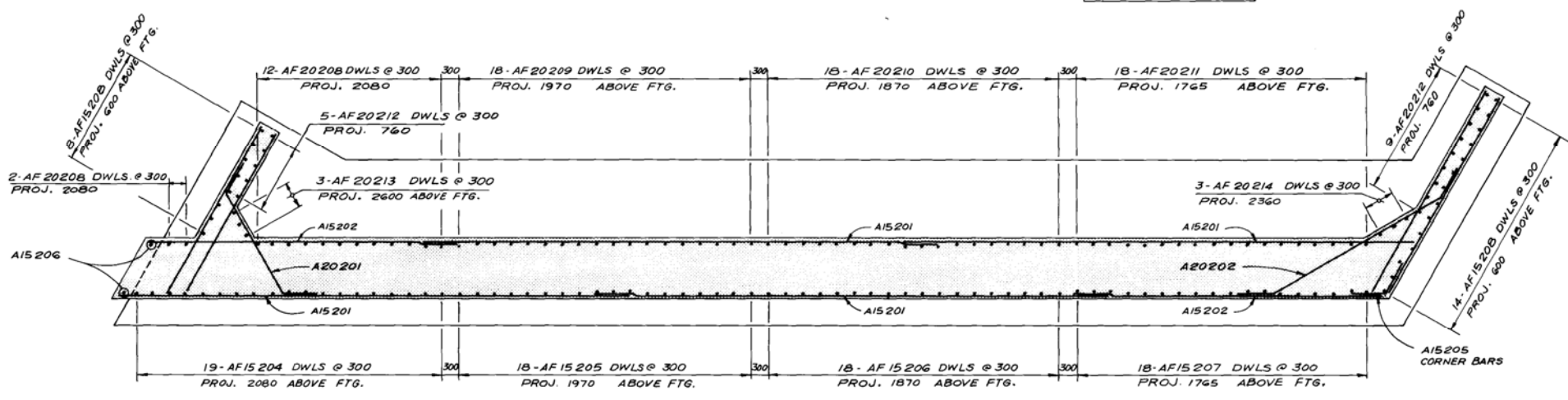
FOOTING PLAN
SCALE 1:50

BAR PLACING ORDER

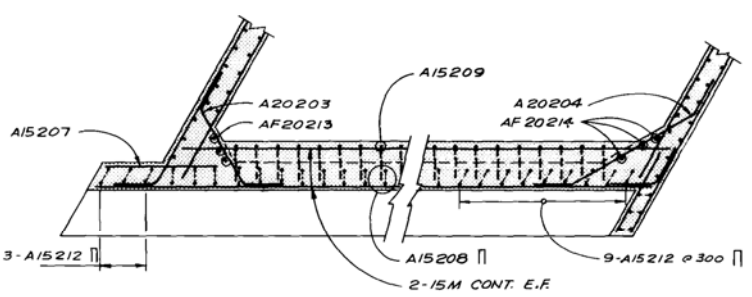
6. TOP	1
5. TOP	1
4. TOP	1
3. BOT	1
2. BOT	1
1. BOT	1



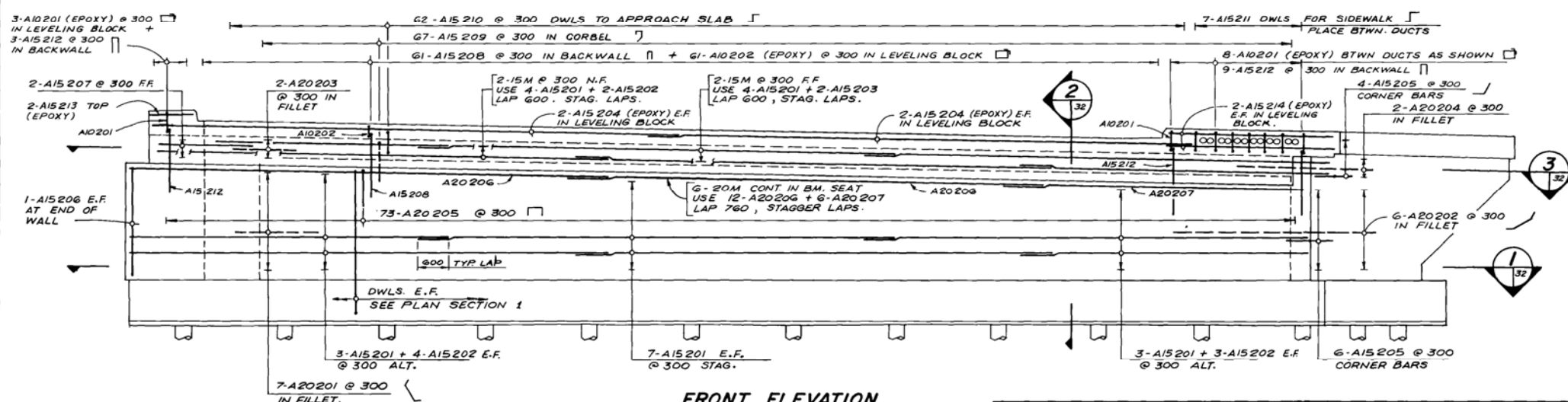
SECTION 2
SCALE 1:30



PLAN SECTION 1
SCALE 1:50



PARTIAL PLAN SECTION 3
SCALE 1:50



FRONT ELEVATION
SCALE 1:50

AS BUILT
APPROVED BY: *[Signature]*

NOTE
REBARS LABELLED "EPOXY" SHALL BE EPOXY COATED.

NO	REVISIONS	DATE	APP

29/9/80
C.D.

23/1/80
N.B.U.

29/9/80
W.R.S.

DESIGNED BY: N.B.U. DRAWN BY: W.R.S.
CHECKED BY: L.D.M. DATE: 80-08-25

APPROVED BY: *[Signature]* DATE: 29/9/80

B-5418

THE CITY OF WINNIPEG
WORKS & OPERATIONS
STREETS & TRANSPORTATION

STURGEON CREEK BRIDGE ON PORTAGE AVENUE
NORTH STRUCTURE WEST ABUTMENT SU-5 REINFORCEMENT

AUTHORIZED BY: *[Signature]* DATE: 1980-10-25
ACCEPTED BY: *[Signature]* DATE: 8-6-83

SCALE: AS NOTED
DRAWING NO: B178-80-32