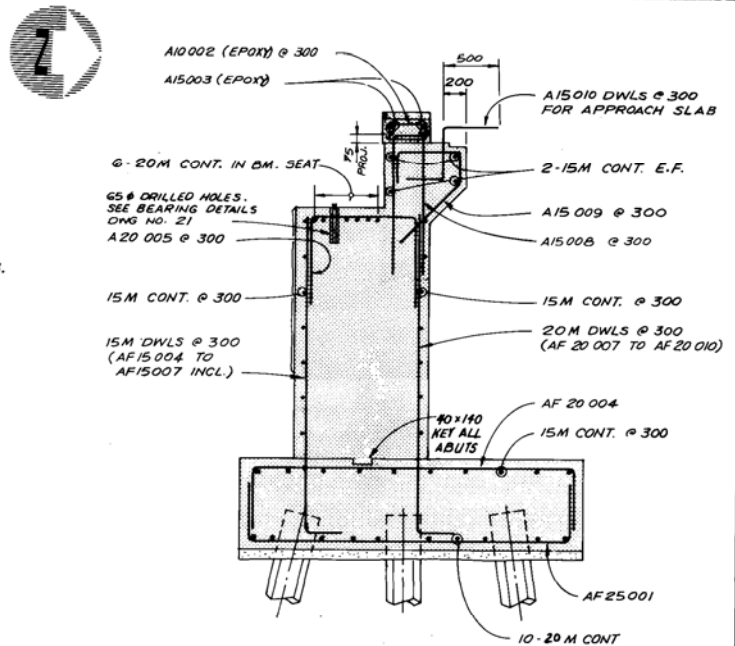


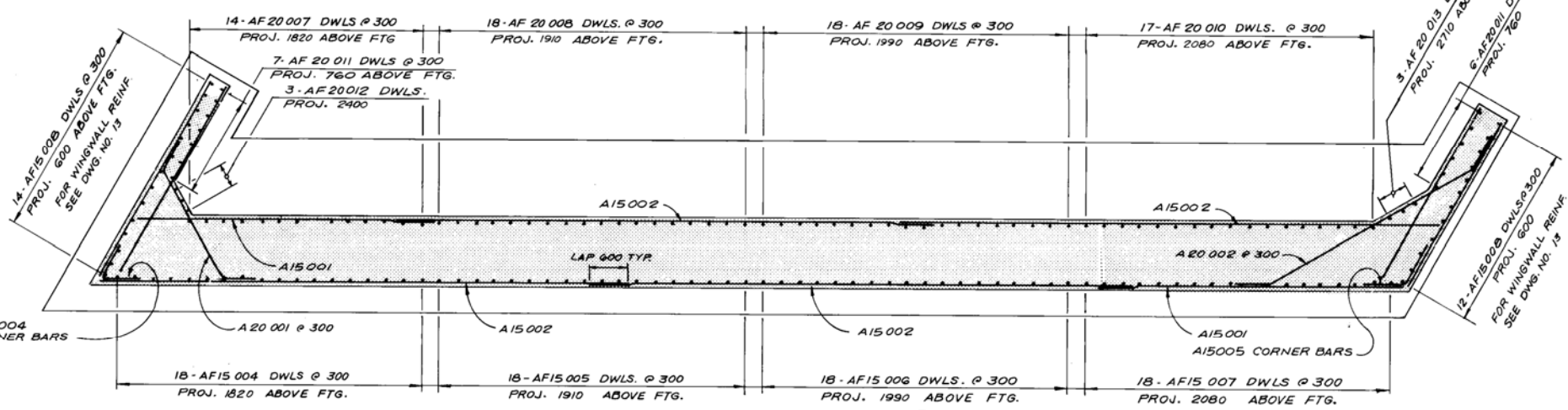
FOOTING PLAN
SCALE 1: 50

BAR PLACING ORDER

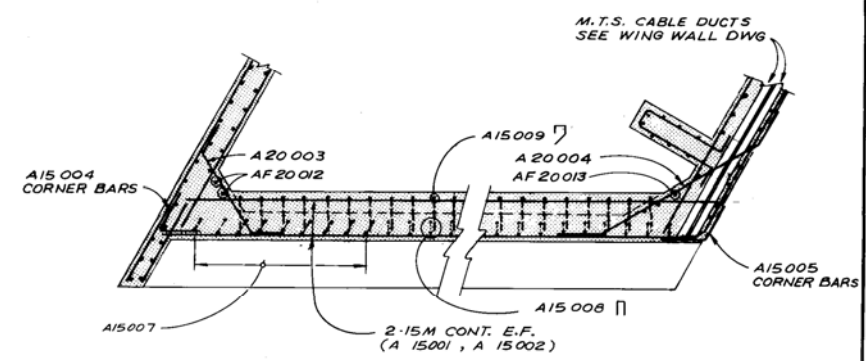
| | | |
|----|-----|---|
| 6. | TOP | 1 |
| 5. | TOP | 1 |
| 4. | TOP | 1 |
| 3. | BOT | 1 |
| 2. | BOT | 1 |
| 1. | BOT | 1 |



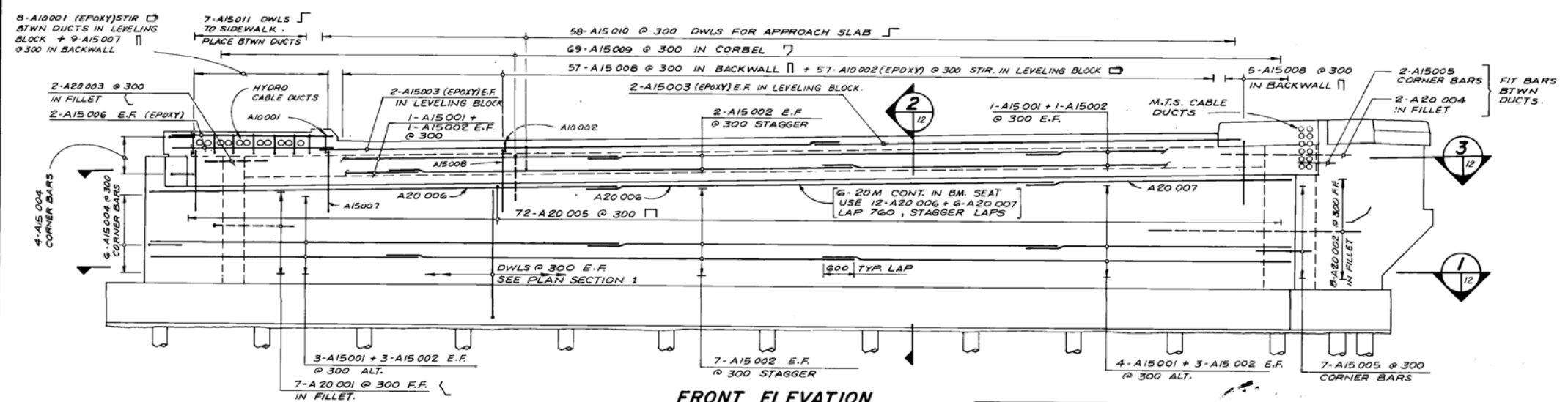
SECTION 2
SCALE 1: 30



PLAN SECTION 1
SCALE 1: 50



PARTIAL PLAN SECTION 3
SCALE 1: 50



FRONT ELEVATION
SCALE 1: 50

AS BUILT
APPROVED BY: *[Signature]*

NOTE
REBAR LABELLED (EPOXY) SHALL BE EPOXY COATED.

| NO. | REVISIONS | DATE | APP. |
|-----|-----------|------|------|
| | | | |
| | | | |
| | | | |

23/9/60
CID
23/9/60
WAK
ENGINEER'S SEAL

DILLON Consulting Engineers & Planners

DESIGNED BY: N.B.U. DRAWN BY: W.P.S.
CHECKED BY: L.D.M. DATE: 80-08-25
APPROVED BY: *[Signature]* DATE: 23/9/60

THE CITY OF WINNIPEG
WORKS & OPERATIONS
STREETS & TRANSPORTATION

B-5398
STURGEON CREEK BRIDGE ON PORTAGE AVENUE
SOUTH STRUCTURE WEST ABUTMENT SU-1 REINFORCEMENT

AUTHORIZED BY: *[Signature]* DATE: 80-10-21
ACCEPTED BY: *[Signature]* DATE: 80-10-21
SCALE: AS NOTED DRAWING NO: B178-80-12