

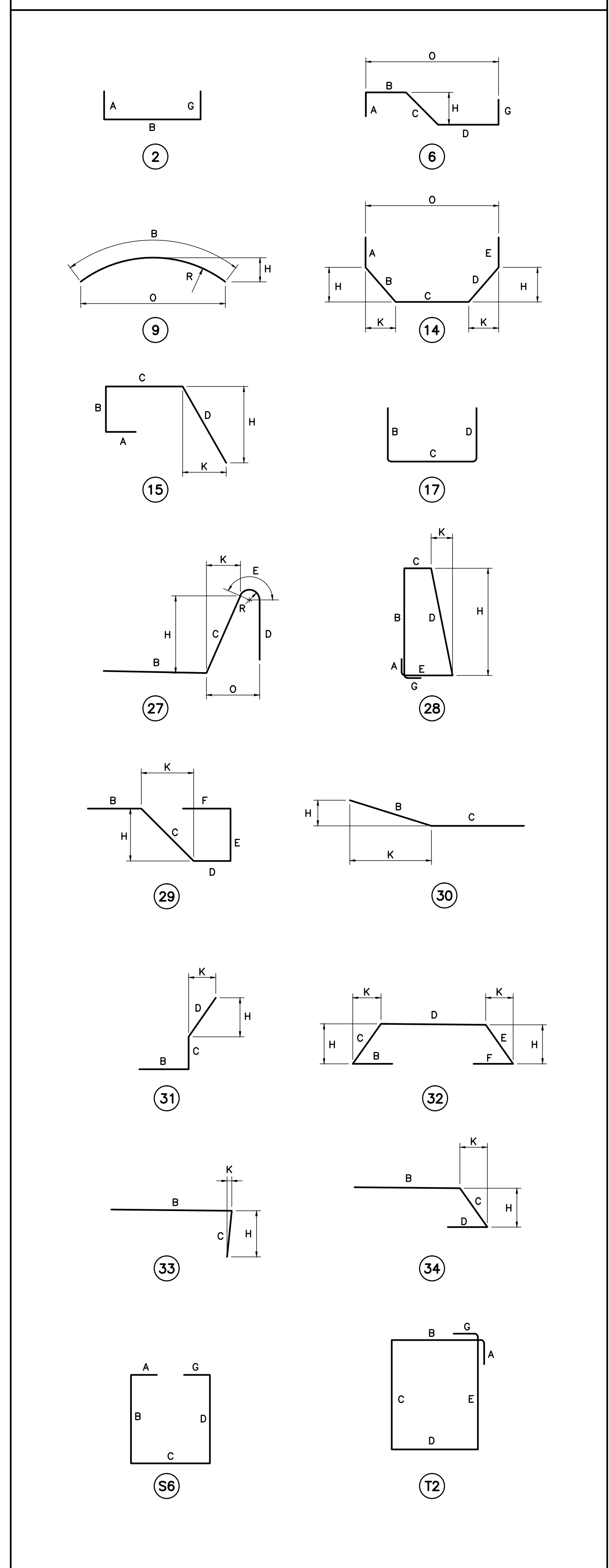
PHASE 1 CONSTRUCTION - BILL OF STAINLESS STEEL REINFORCING

Table with columns: MARK, NO. BARS, SIZE, LENGTH, TYPE, A, B, C, D, E, F, G, H, J, K, O, R, MASS. Includes sub-totals for BRIDGE and WEST EXPANSION JOINT.

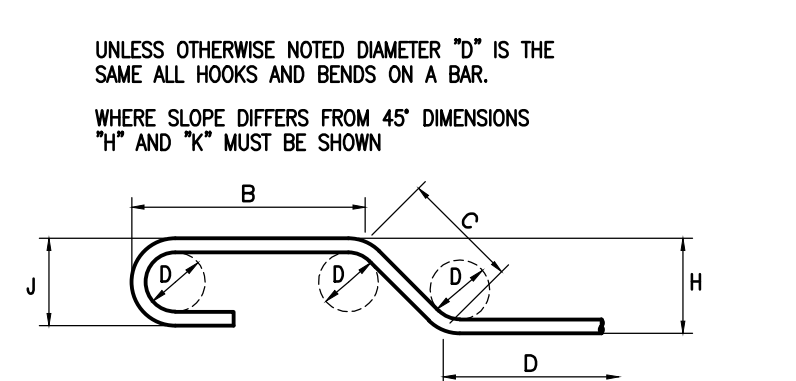
PHASE 1 CONSTRUCTION - BILL OF STAINLESS STEEL REINFORCING

Table with columns: MARK, NO. BARS, SIZE, LENGTH, TYPE, A, B, C, D, E, F, G, H, J, K, O, R, MASS. Includes sub-totals for WEST APPROACH SLAB, EXPANSION SLAB AND ROADWAY SLAB.

BENDING DIAGRAMS



- NOTES: 1. ALL DIMENSIONS ARE OUT-TO-OUT OF A BAR EXCEPT "A" AND "G" ON STANDARD 180° AND 135° HOOKS. 2. "J" DIMENSION ON 180° HOOKS TO BE SHOWN ONLY WHERE NECESSARY TO RESTRICT HOOK SIZE. OTHERWISE STANDARD HOOKS TO BE USED. 3. ON TRUSS BARS "J" WILL BE KEPT EQUAL TO OR LESS THAN "H". WHERE "J" CAN EXCEED "H" IT SHOULD BE SHOWN. 4. ON STIRRUPS "H" DIMENSION SHOULD BE SHOWN ONLY WHERE NECESSARY TO FIT WITHIN CONCRETE. 5. CRITICAL DIMENSIONS ARE TO BE WHERE BARS ARE TO BE BENT MORE ACCURATELY THAN STANDARD BENDING TOLERANCE. 6. ON TYPE T3 "G" IS EQUAL TO CLASS B SPLICE. 7. FIGURES SHOWN IN CIRCLES SHOW TYPES. 8. ALL BAR BENDS OTHER THAN THE TYPES SHOWN MUST BE DESIGNATED AS TYPE "X".



ENLARGED VIEW BAR BENDING DETAILS

STAINLESS STEEL REINFORCING SHALL BE FABRICATED IN ACCORDANCE WITH THE LATEST EDITION OF THE REINFORCEMENT STEEL MANUAL OF STANDARD PRACTICE BY THE REINFORCING STEEL INSTITUTE OF CANADA (RSIC), TO THE LENGTHS AND SHAPES AS SHOWN ON THE DRAWINGS.



Table with columns: B.M. ELEV., F.B., NO., REVISIONS, DATE, BY.

Tetra Tech logo and design/checked information: DESIGNED BY D.M., CHECKED BY V.B., DRAWN BY G.I., APPROVED BY E.F.S., HOR. SCALE: AS NOTED, VERTICAL: AS NOTED, DATE 13.07.18.



THE CITY OF WINNIPEG PUBLIC WORKS DEPARTMENT ENGINEERING DIVISION. PORTAGE AVENUE TWIN BRIDGES OVER STURGEON CREEK REHABILITATION AND RELATED WORKS. PHASE 1 CONSTRUCTION REINFORCING SCHEDULE. CITY DRAWING NUMBER B178-14-062 SHEET 62 OF 70.