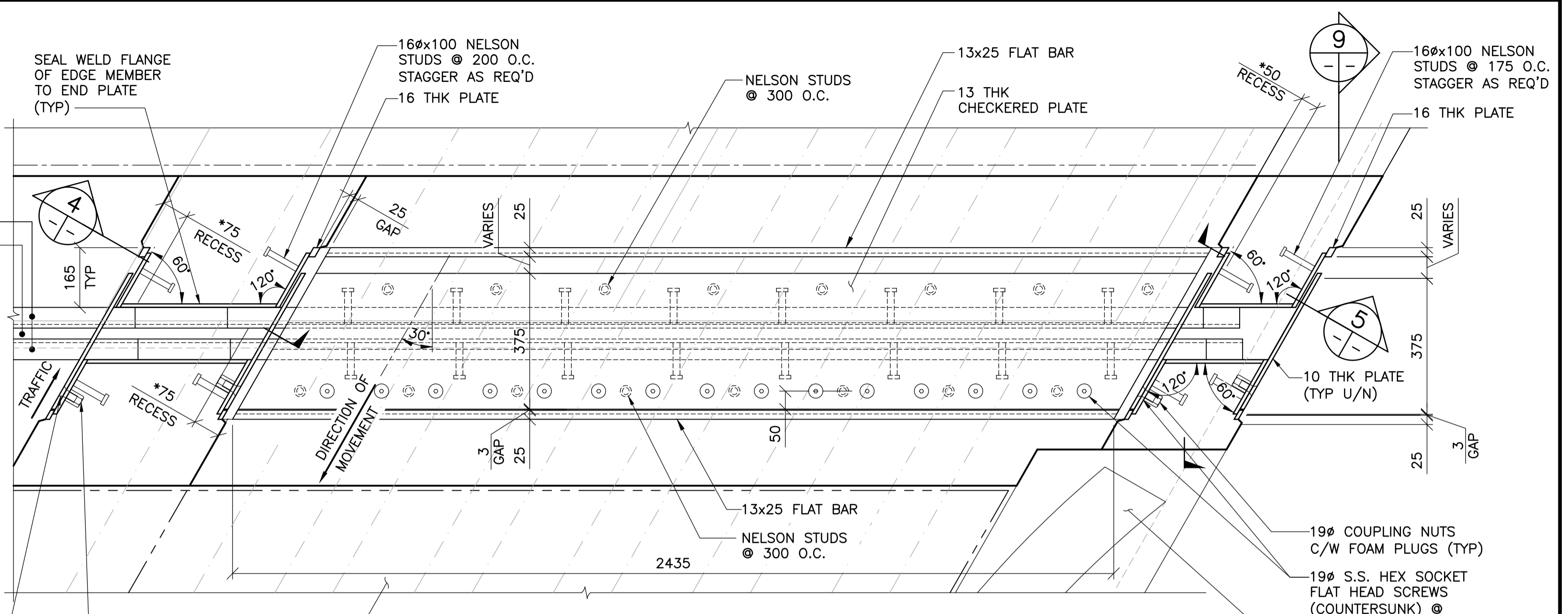
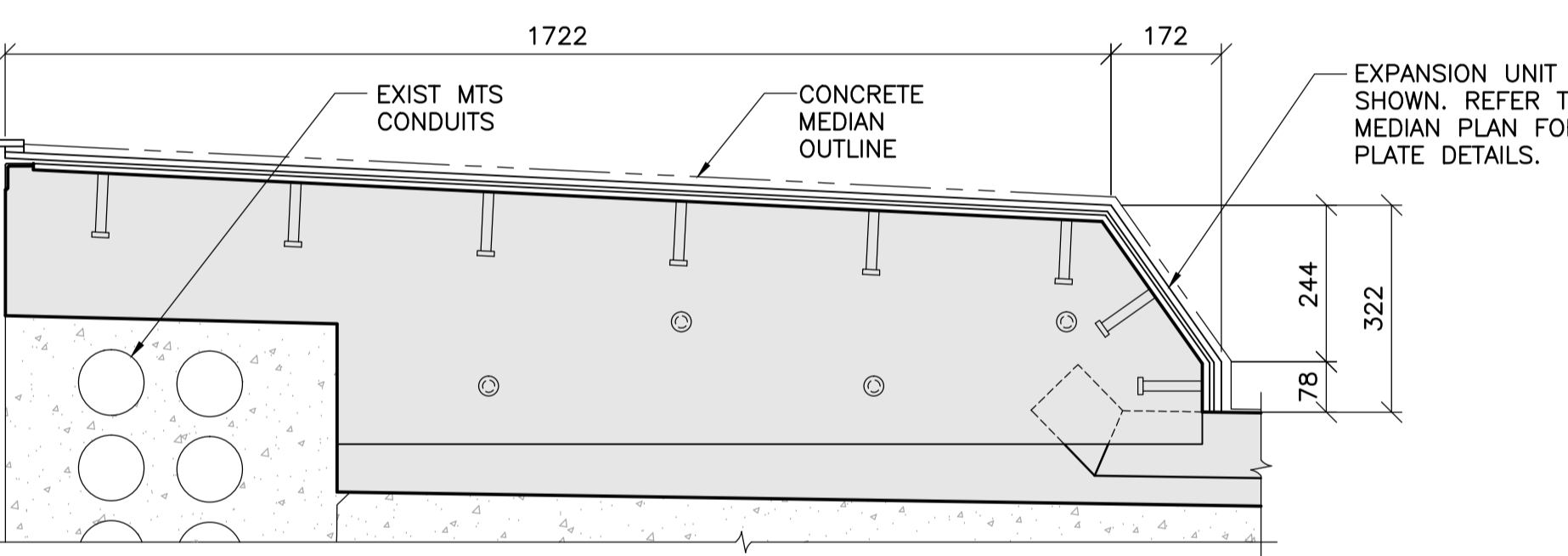


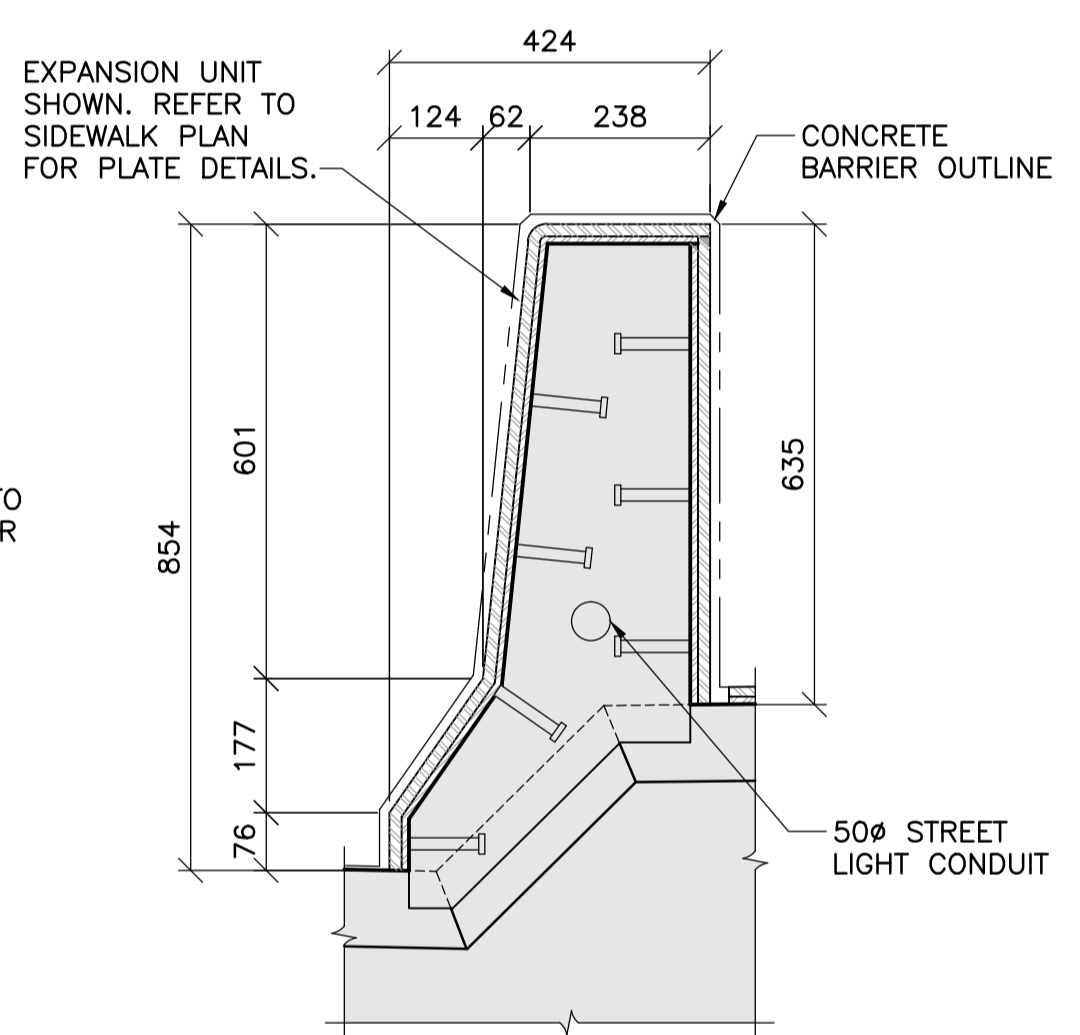
1 MEDIAN PLAN
 1 : 10
 - WABO D300
 - SHOWN AT +20°C
 - *MINIMUM RECESS DEPTH FROM FACE OF CONCRETE TO EXTRUSION ANGLE BEND



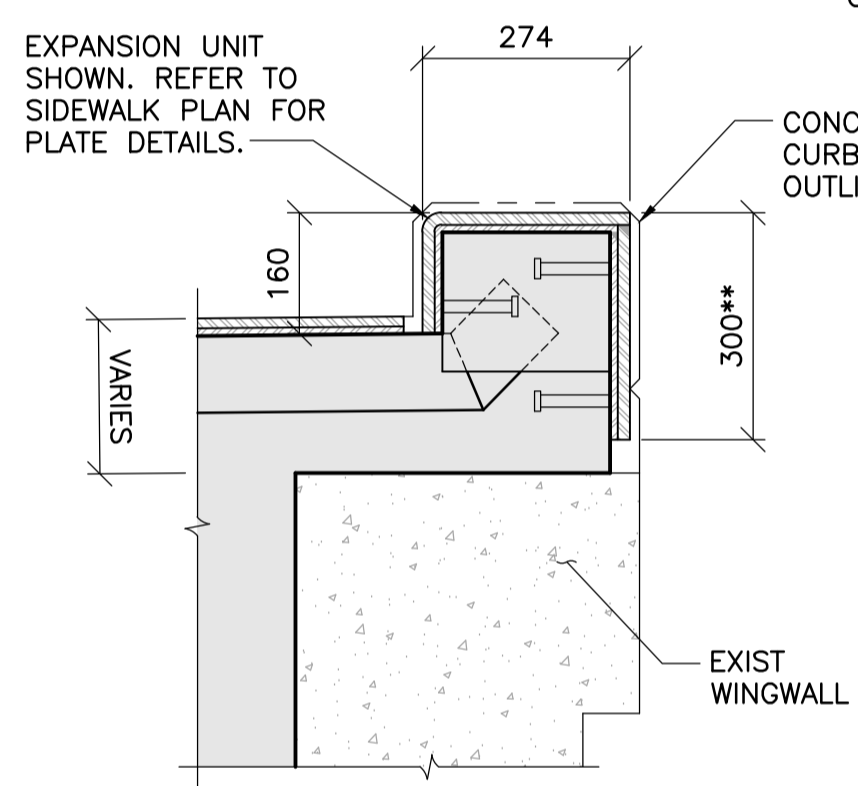
2 SIDEWALK PLAN
 1 : 10
 - WABO D300
 - SHOWN AT +20°C
 - *MINIMUM RECESS DEPTH FROM FACE OF CONCRETE TO EXTRUSION ANGLE BEND



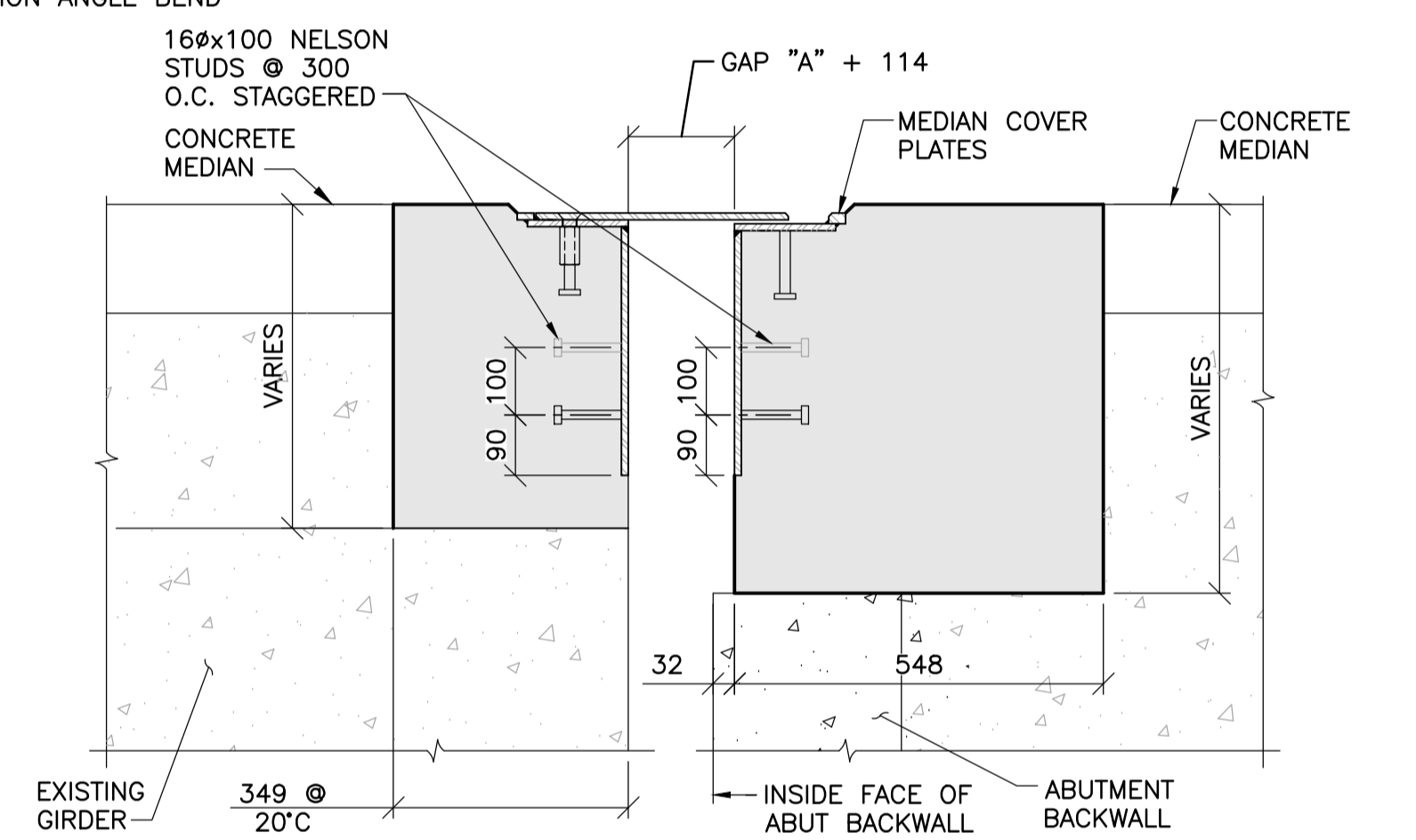
3 SECTION
 1 : 10



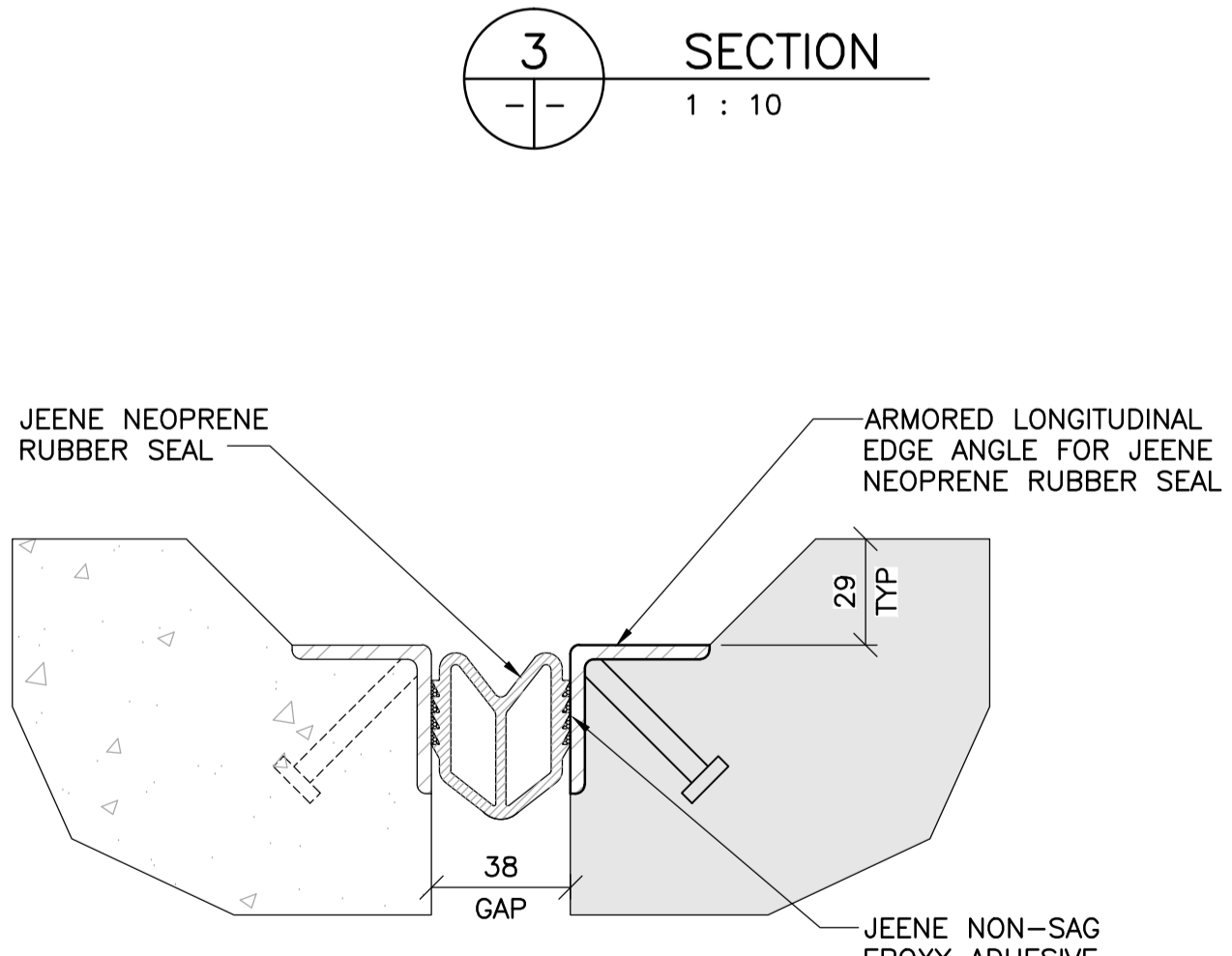
4 SECTION
 1 : 10



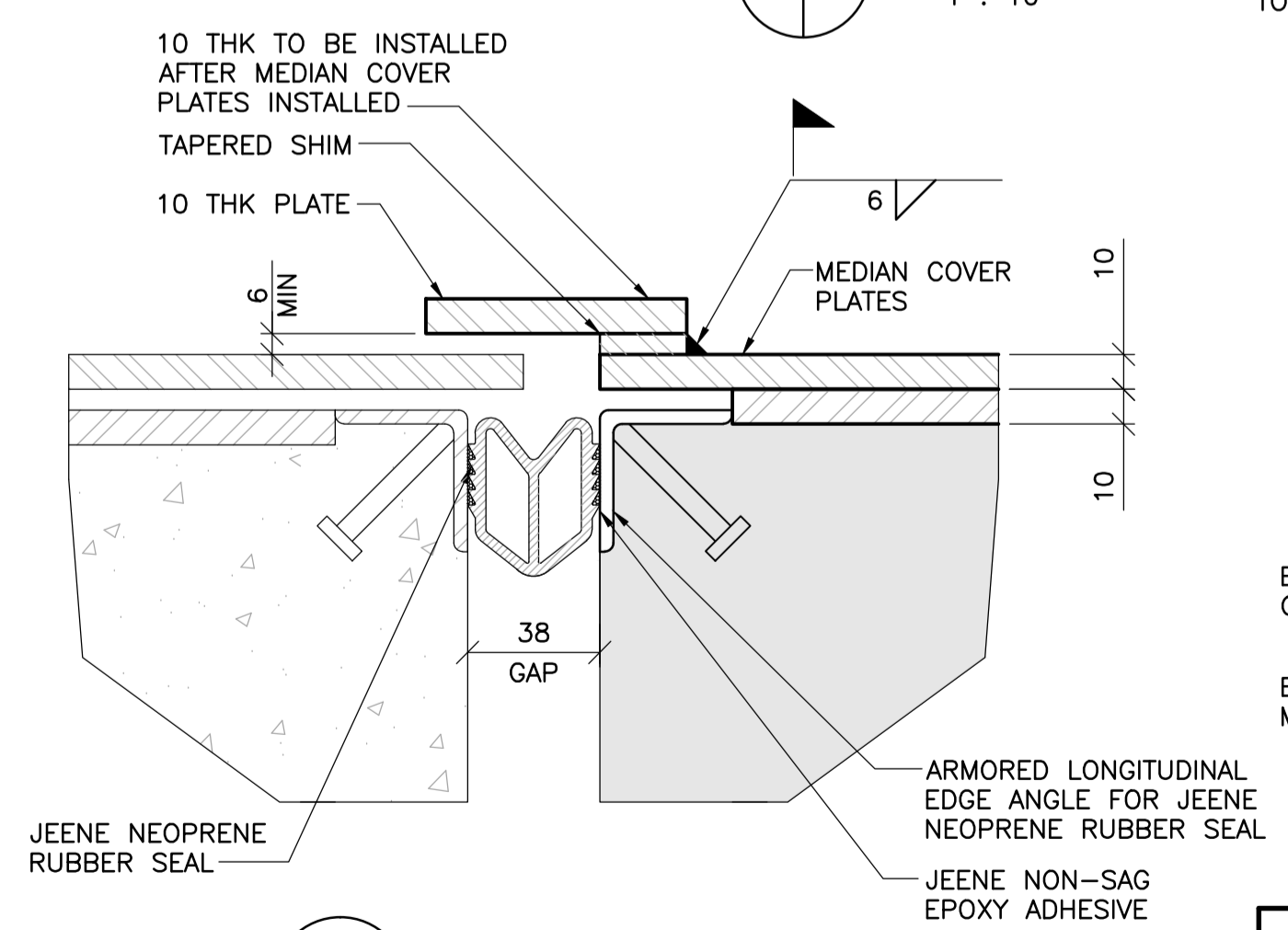
5 SECTION
 1 : 10
 - CONTRACTOR TO FIELD VERIFY CONCRETE LIMITS PRIOR TO COVER PLATE FABRICATION



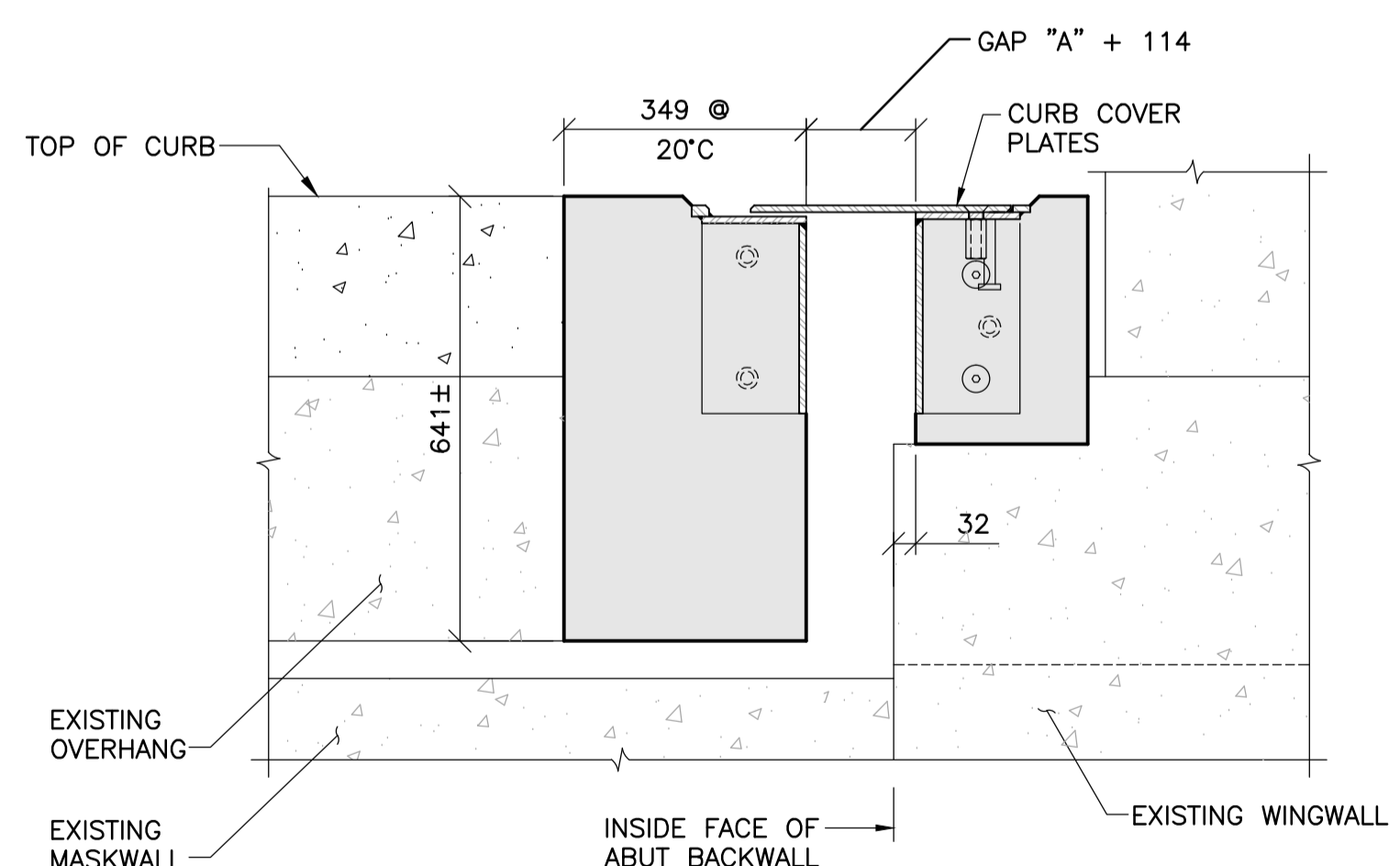
6 SECTION
 1 : 10



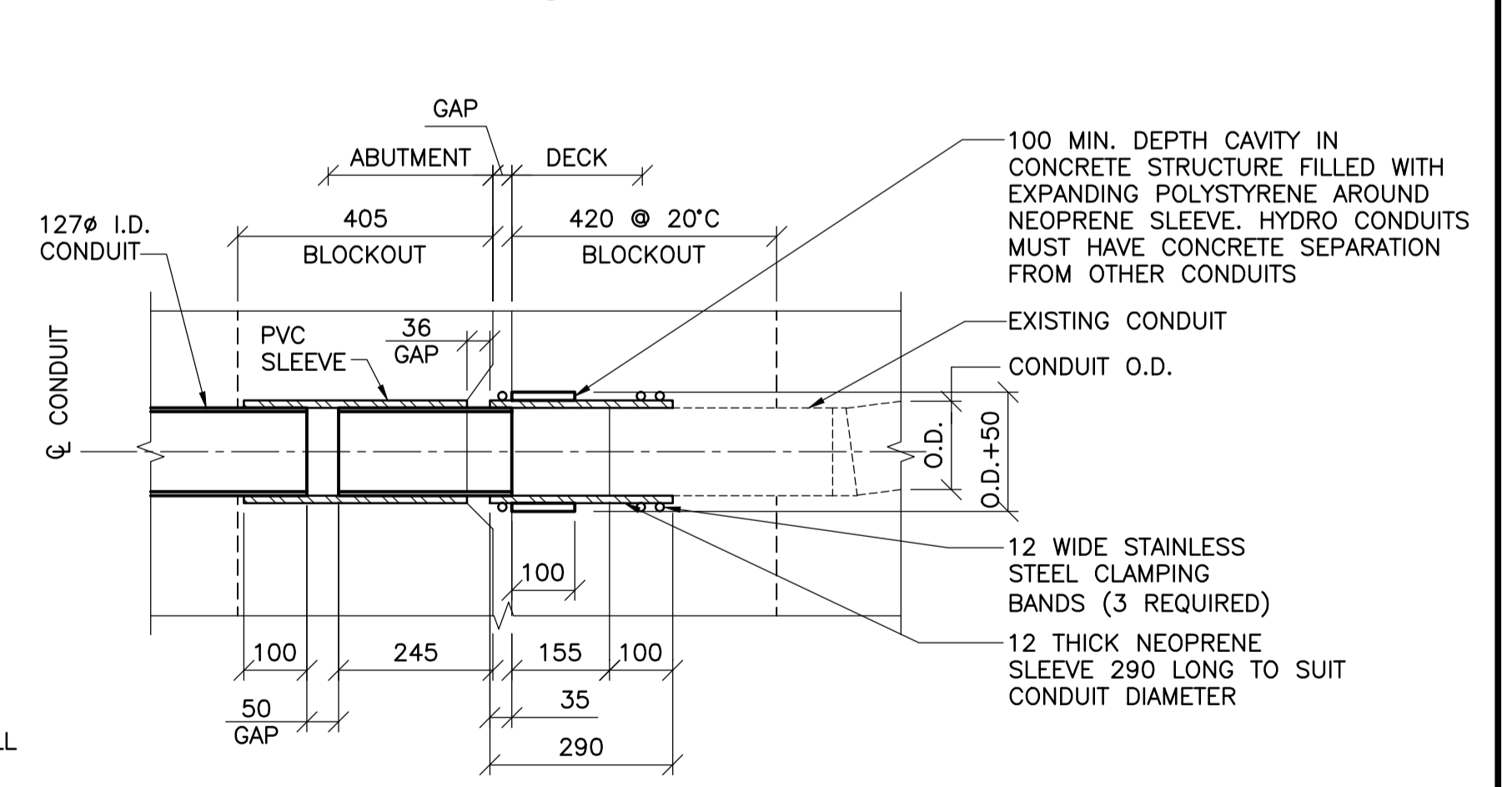
7 SECTION
 1 : 2



8 SECTION
 1 : 2



9 SECTION
 1 : 10

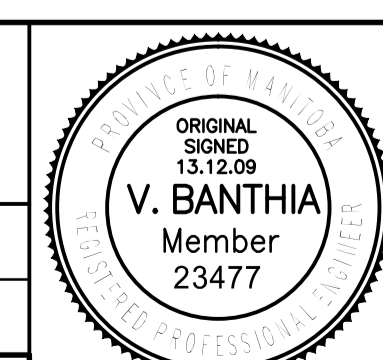


10 PVC DUCT EXP JOINT ASSEMBLY
 1 : 10
 - SHOWN AT 20°C



B.M. ELEV.	F.B.		
0 ISSUED FOR TENDER	13.12.09	V.B.	
NO. REVISIONS	DATE	BY	DATE
			13.07.18

TETRA TECH	
DESIGNED BY K.Y.	CHECKED BY V.B.
DRAWN BY E.V.	APPROVED BY E.F.S.
HOR. SCALE: AS NOTED	RELEASED FOR CONSTRUCTION DATE
VERTICAL: AS NOTED	ORIGINAL SIGNED 13.12.09
	CONSULTANT DRAWING NO. 1300070700-DWG-S0057



THE CITY OF WINNIPEG
 PUBLIC WORKS DEPARTMENT
 ENGINEERING DIVISION

PORTAGE AVENUE TWIN BRIDGES
 OVER STURGEON CREEK
 REHABILITATION AND RELATED WORKS

PHASE 2 CONSTRUCTION
 WEST ABUTMENT EXPANSION JOINT
 SECTIONS AND DETAILS

CITY DRAWING NUMBER
B178-14-057
 SHEET 57 OF 70

1300070700-DWG-S0057

57