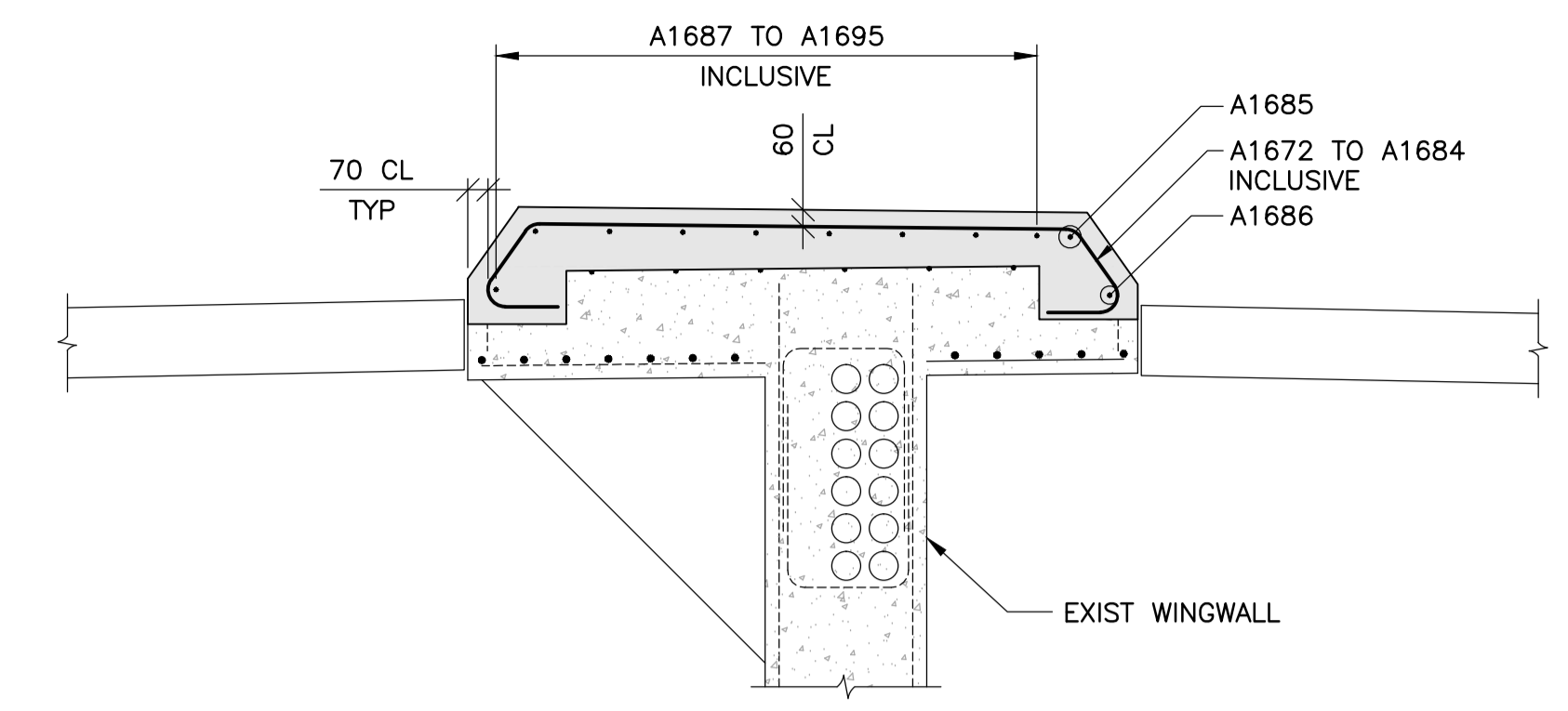
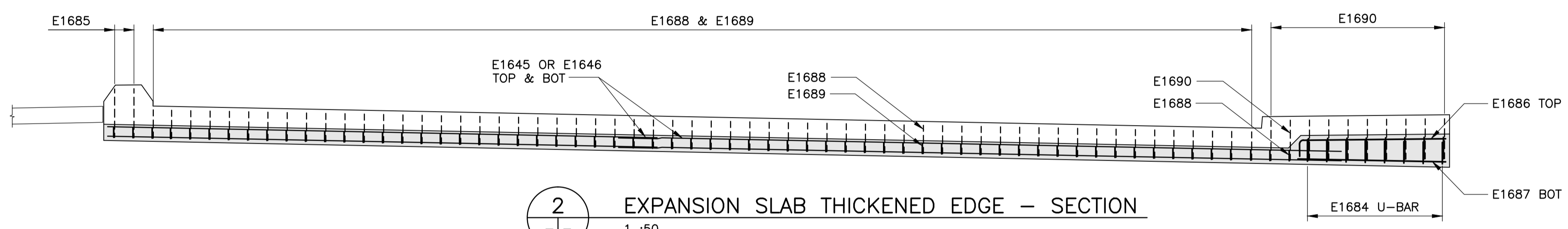


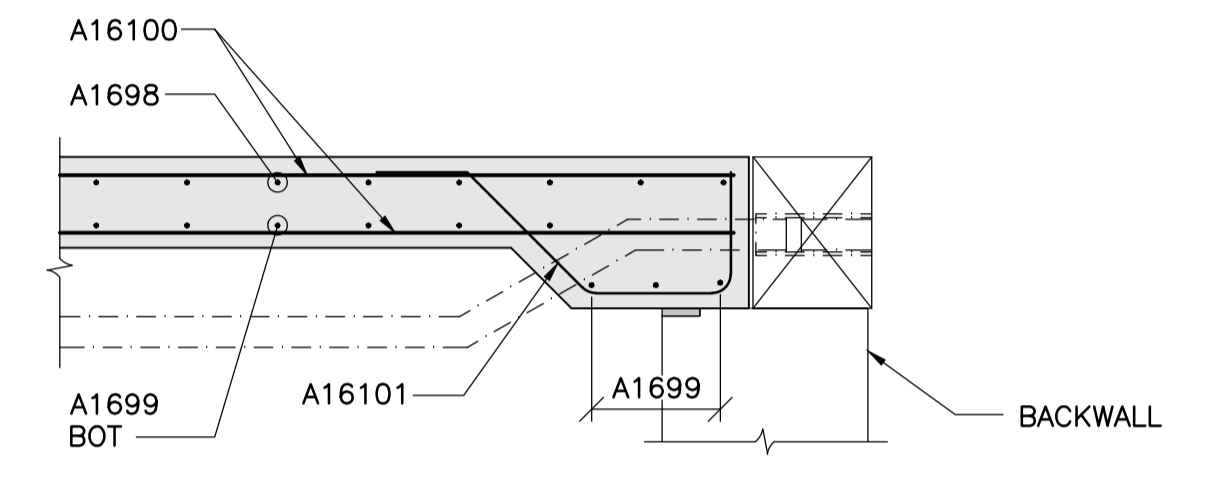
**1** EXPANSION SLAB THICKENED EDGE  
1 : 50



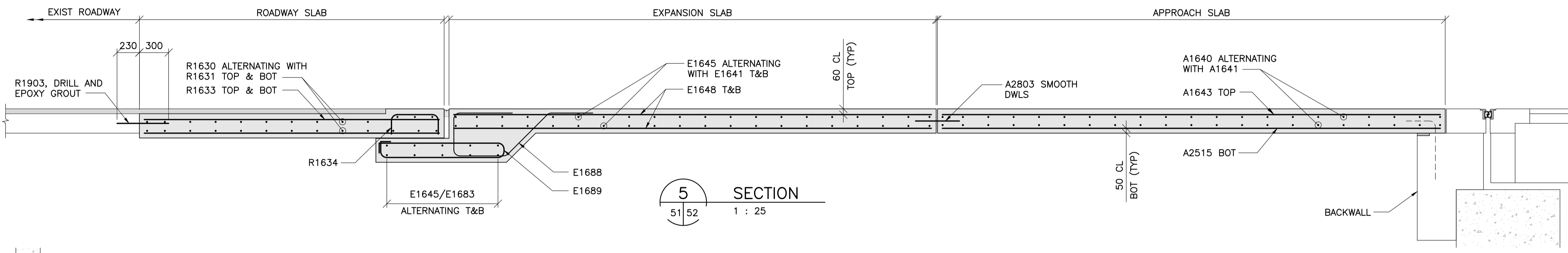
**3** MEDIAN BARRIER OVER WINGWALL - SECTION  
1 : 25



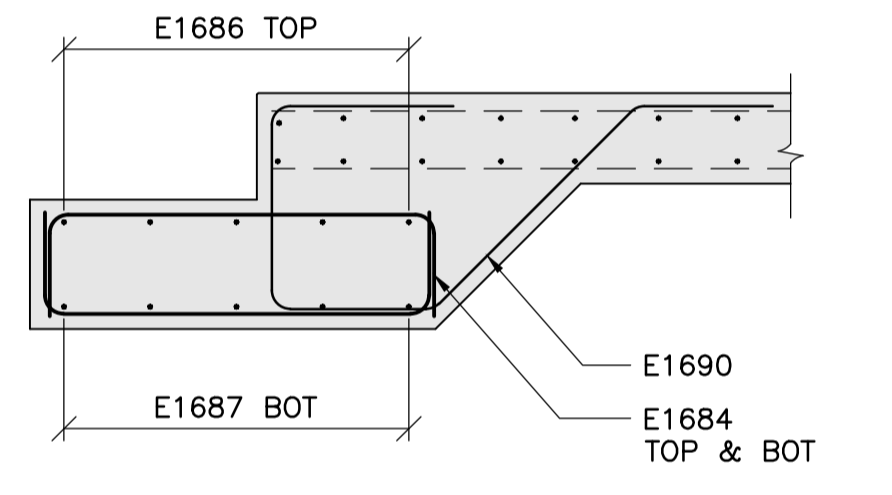
**2** EXPANSION SLAB THICKENED EDGE - SECTION  
1 : 50



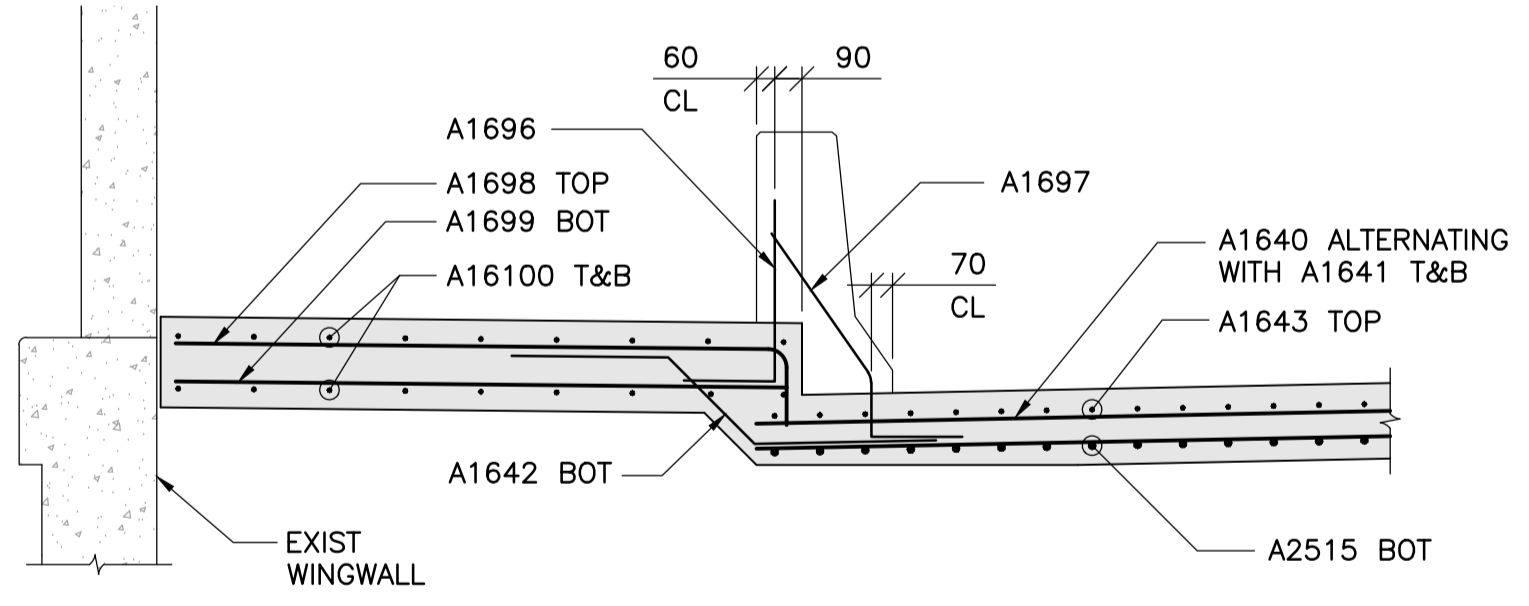
**4** APPROACH SLAB SIDEWALK - SECTION  
1 : 25  
- DOWELS FROM ABUT BACKWALL NOT SHOWN FOR CLARITY



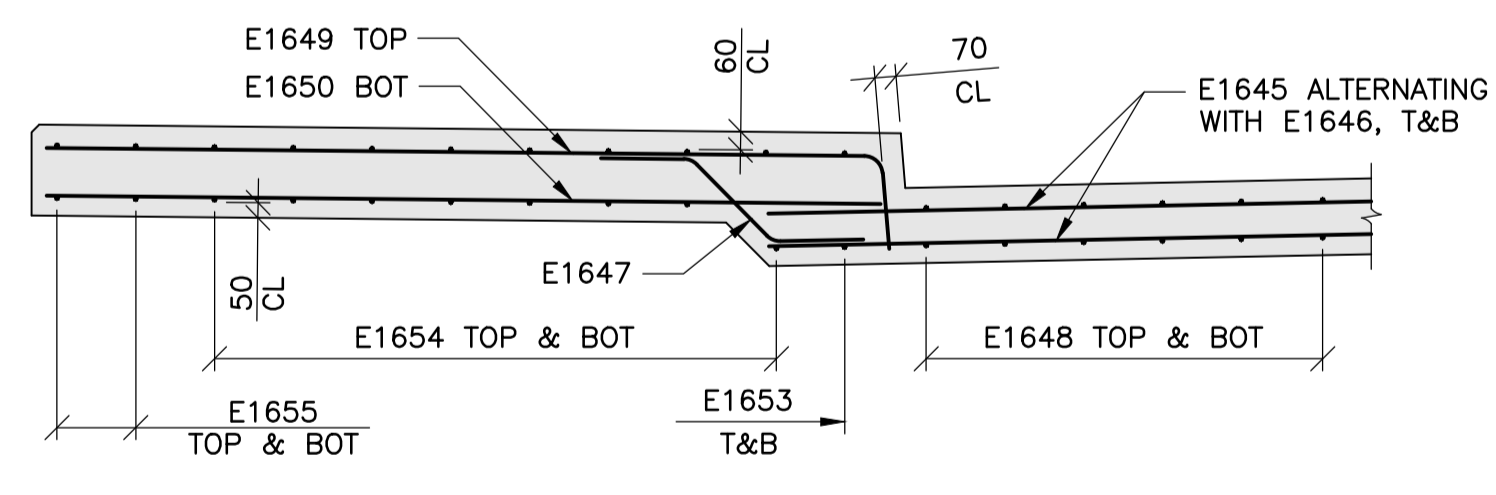
**5** SECTION  
1 : 25



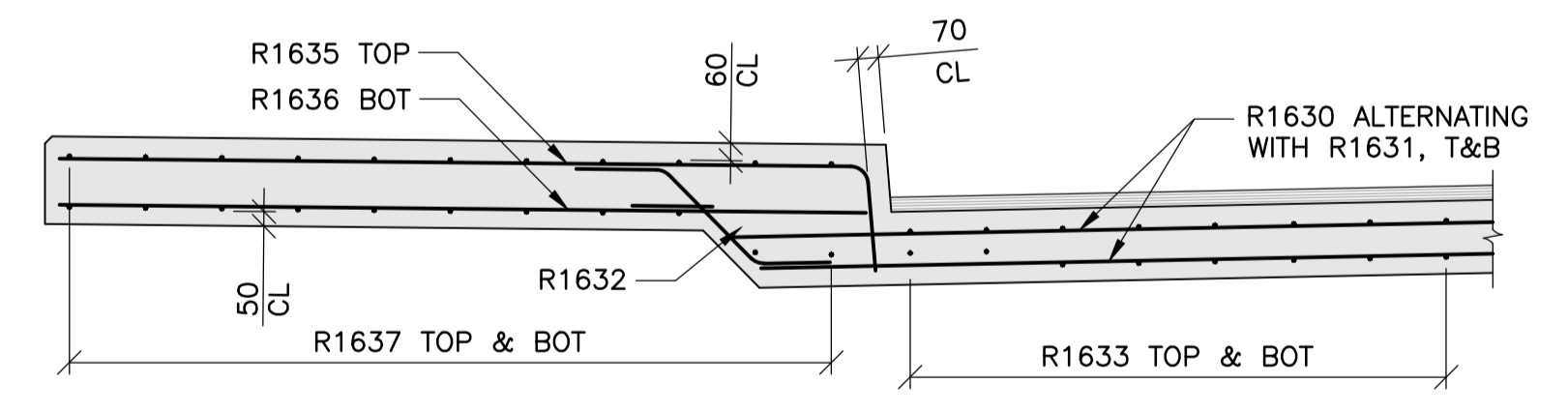
**6** SECTION  
1 : 25



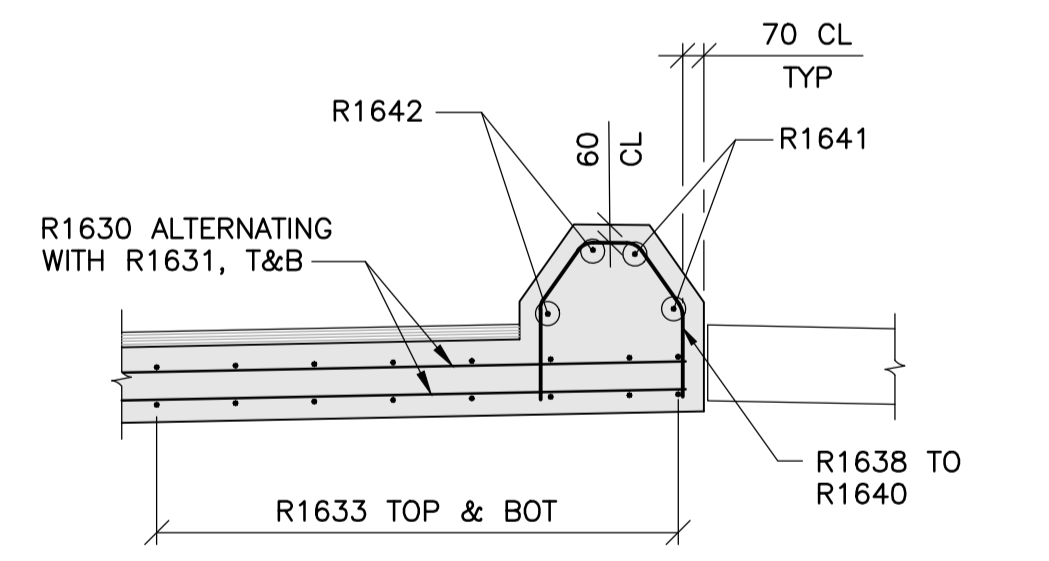
**7** APPROACH SLAB SIDEWALK - SECTION  
1 : 25



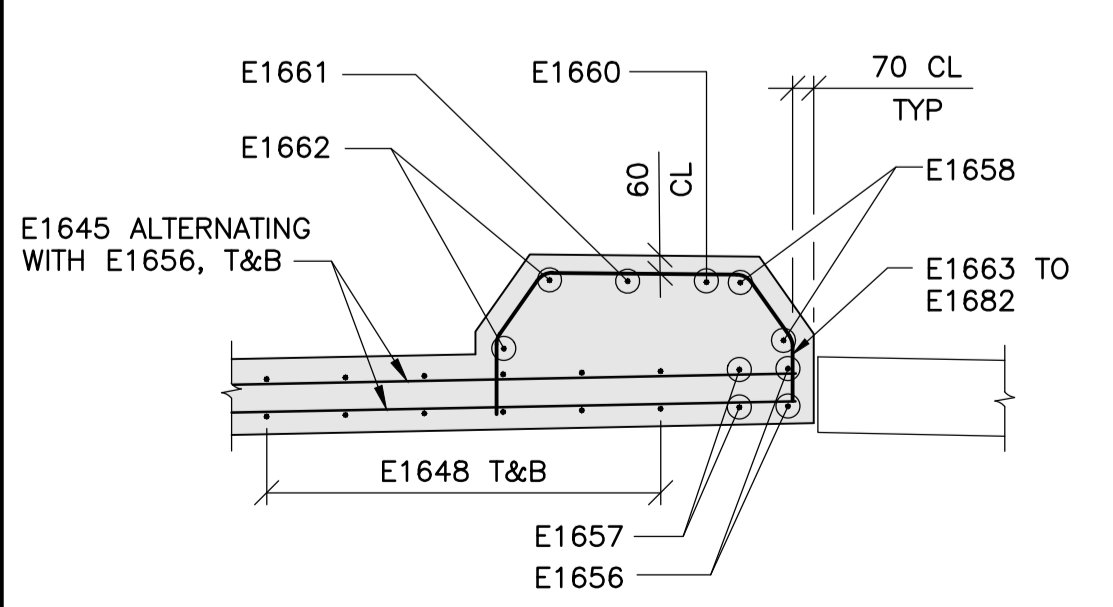
**8** EXPANSION SLAB SIDEWALK - SECTION  
1 : 25



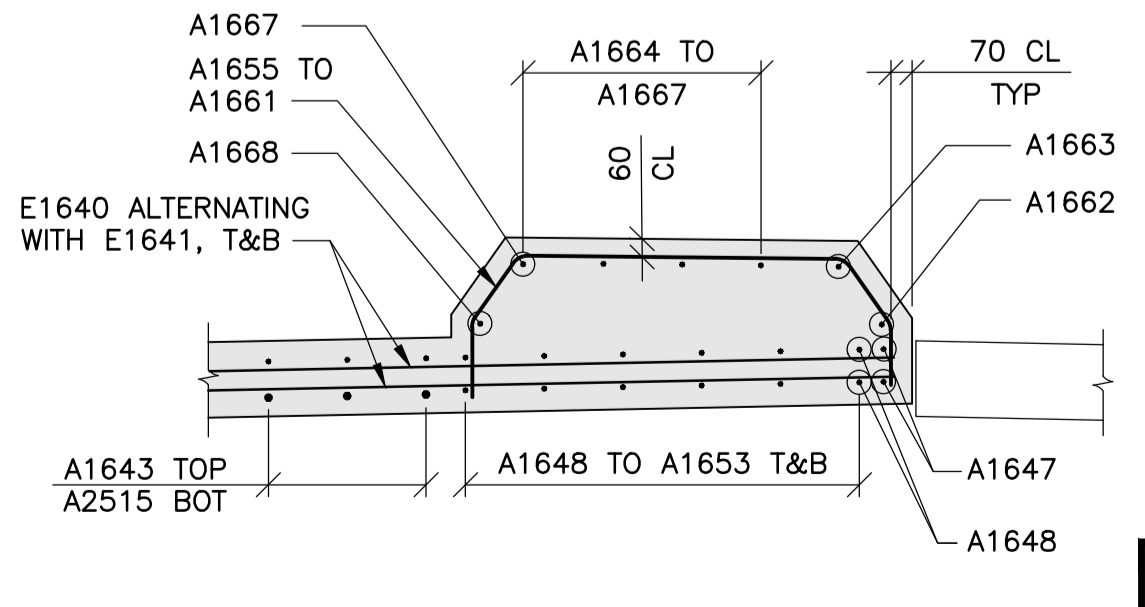
**9** ROADWAY SLAB - SECTION  
1 : 25



**10** ROADWAY SLAB MEDIAN BARRIER - SECTION  
1 : 25



**11** EXPANSION SLAB MEDIAN BARRIER - SECTION  
1 : 25



**12** APPROACH SLAB MEDIAN BARRIER - SECTION  
1 : 25

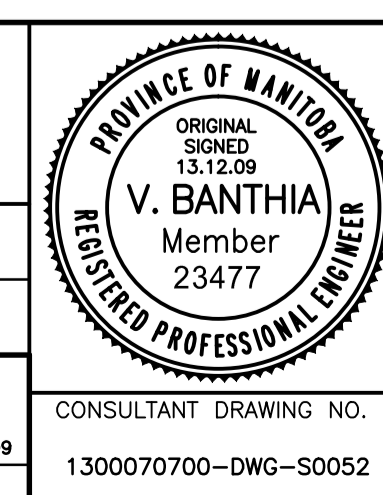
**NOTE:**  
LOCATE REINFORCING SPLICES NOT INDICATED ON THE DRAWINGS AT POINTS OF MINIMUM STRESS. LOCATIONS OF SPLICES TO BE APPROVED BY CONTRACT ADMINISTRATOR.



B.M. ELEV.	F.B.	DATE	BY
0	ISSUED FOR TENDER	13.12.09	V.B.

**TETRA TECH**

DESIGNED BY	D.M.	CHECKED BY	V.B.
DRAWN BY	G.I.	APPROVED BY	E.F.S.
HOR. SCALE:	AS NOTED	RELEASED FOR CONSTRUCTION	DATE
VERTICAL:		ORIGINAL SIGNED	13.12.09
		D. BURNER, P.ENG. BRIDGE PROJECTS ENGINEER	



**THE CITY OF WINNIPEG**  
PUBLIC WORKS DEPARTMENT  
ENGINEERING DIVISION

PORTAGE AVENUE TWIN BRIDGES  
OVER STURGEON CREEK  
REHABILITATION AND RELATED WORKS

PHASE 2 CONSTRUCTION  
WEST APPROACH  
REINFORCING SECTIONS

CITY DRAWING NUMBER	B178-14-052
SHEET	52 OF 70
	52