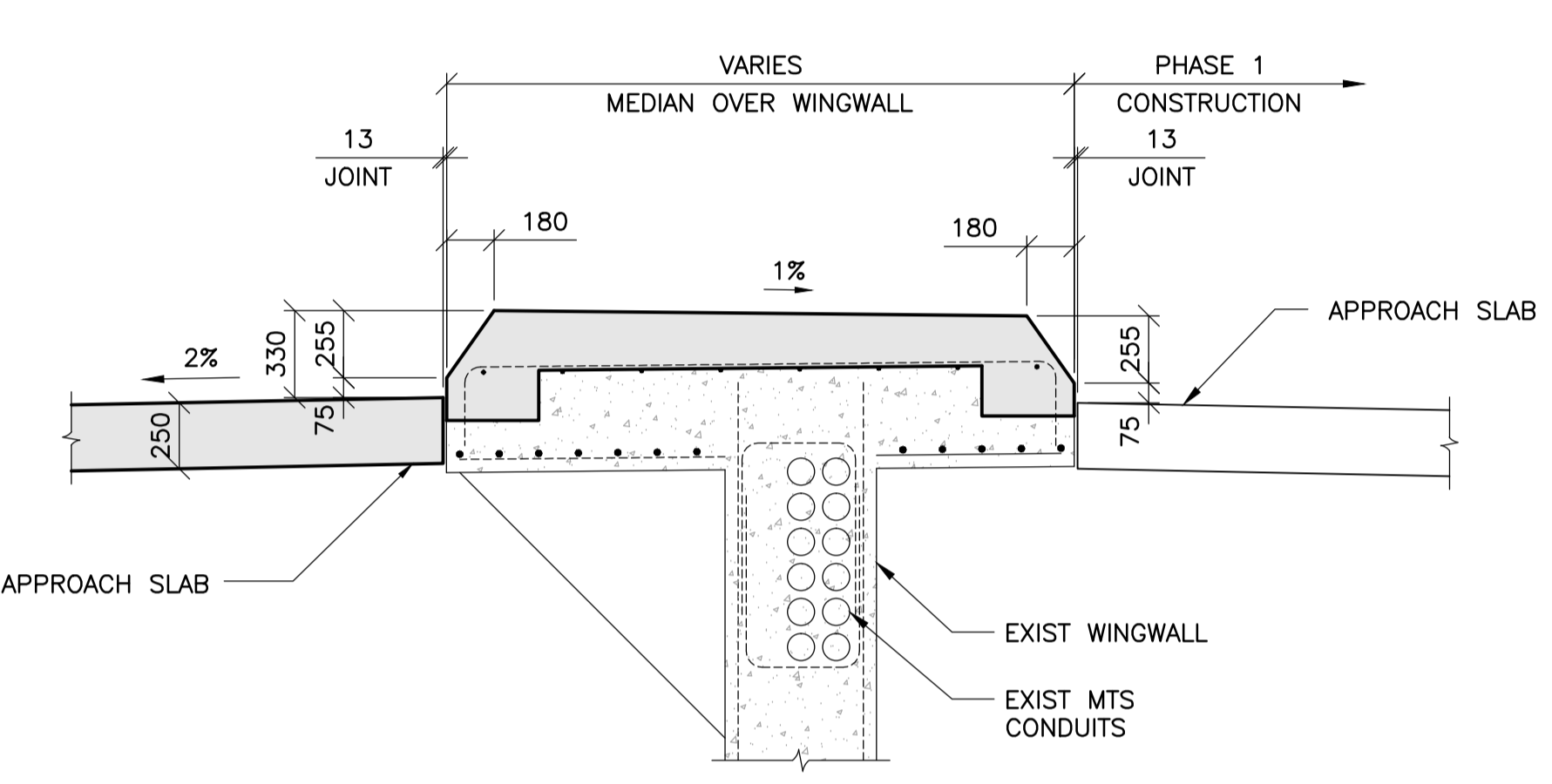
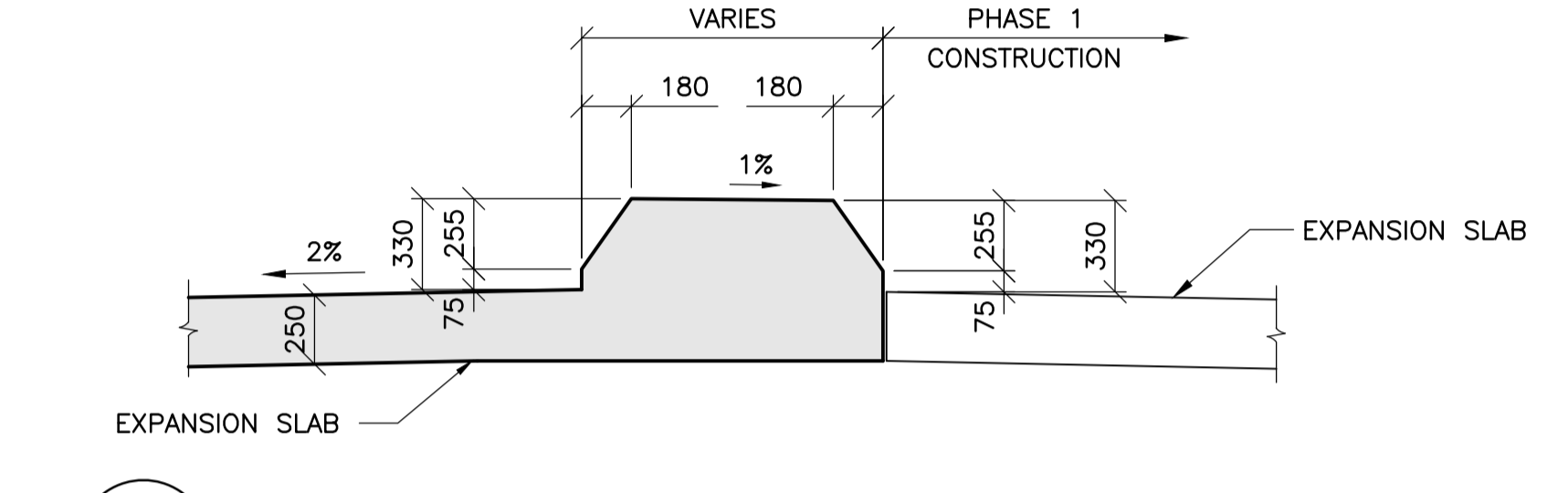


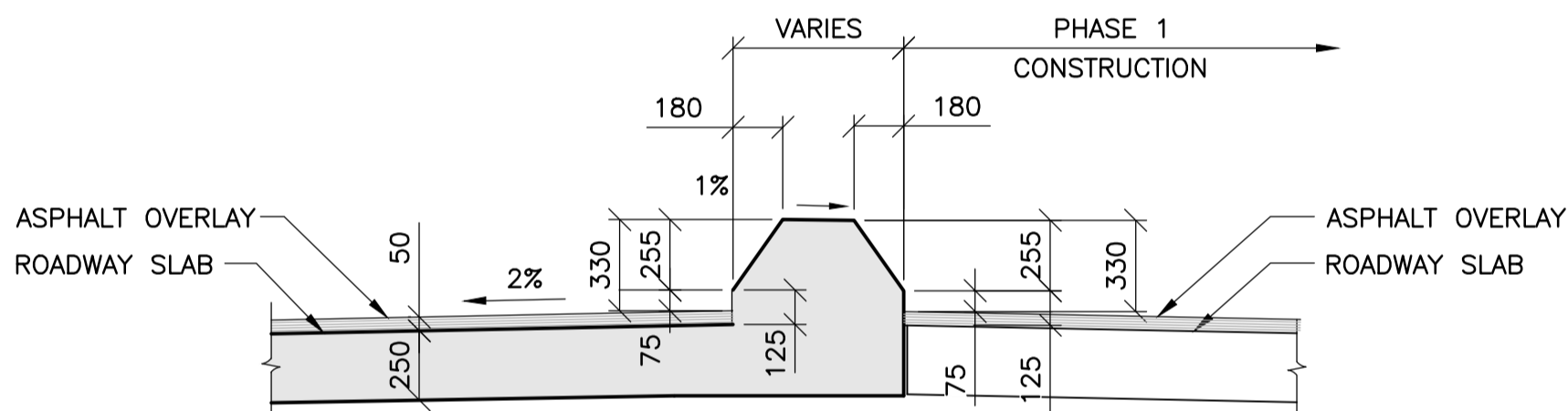
1 SECTION  
1 : 25



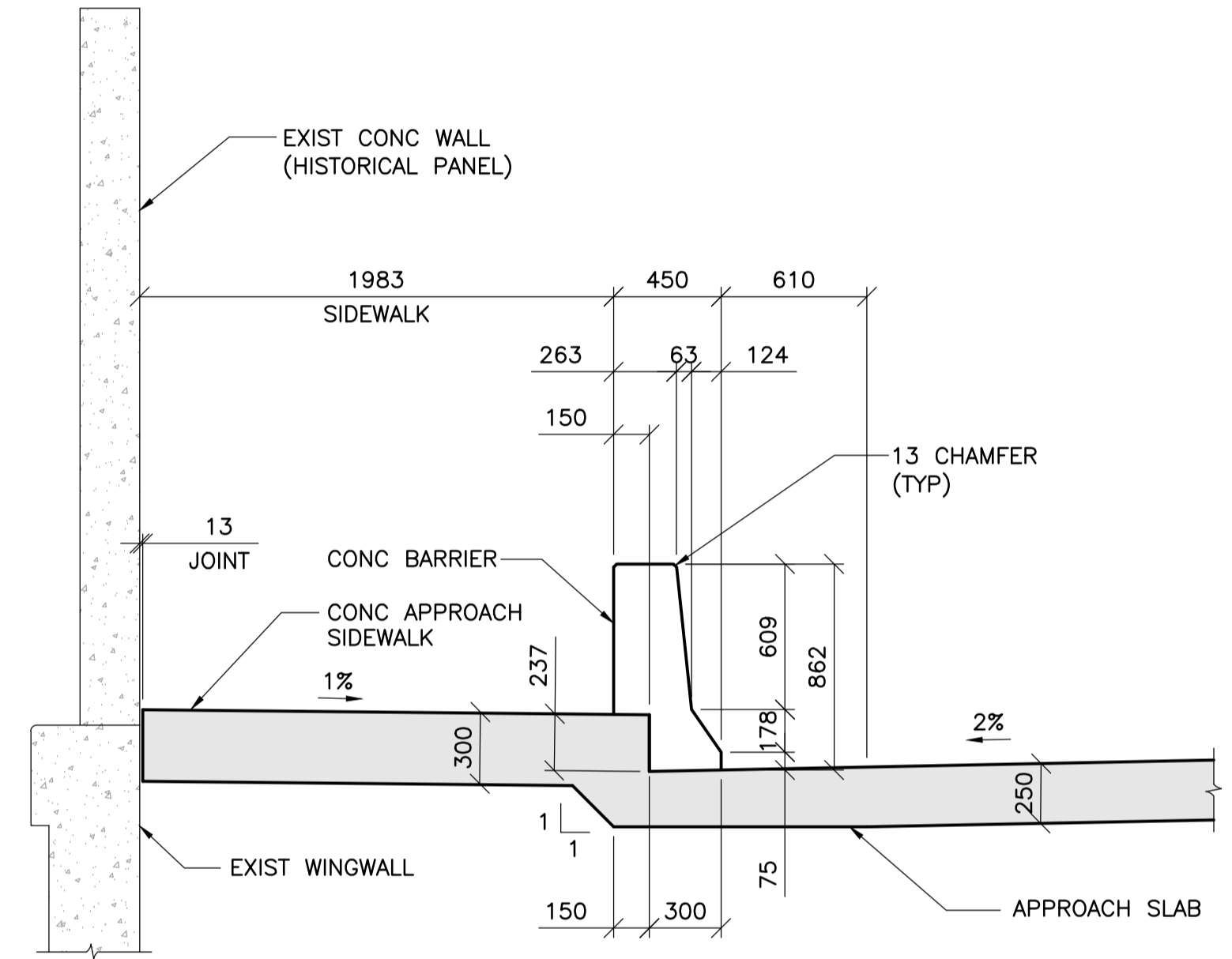
2 SECTION  
1 : 25



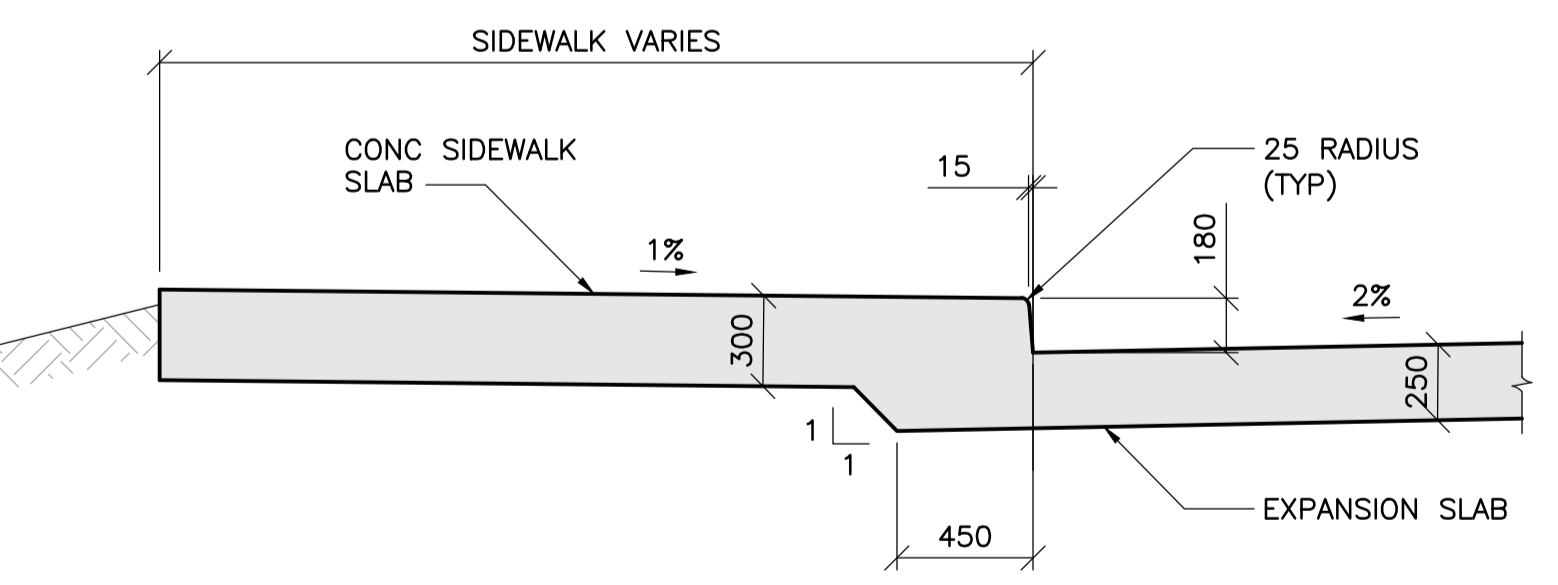
3 EXPANSION SLAB MEDIAN BARRIER - SECTION  
1 : 25



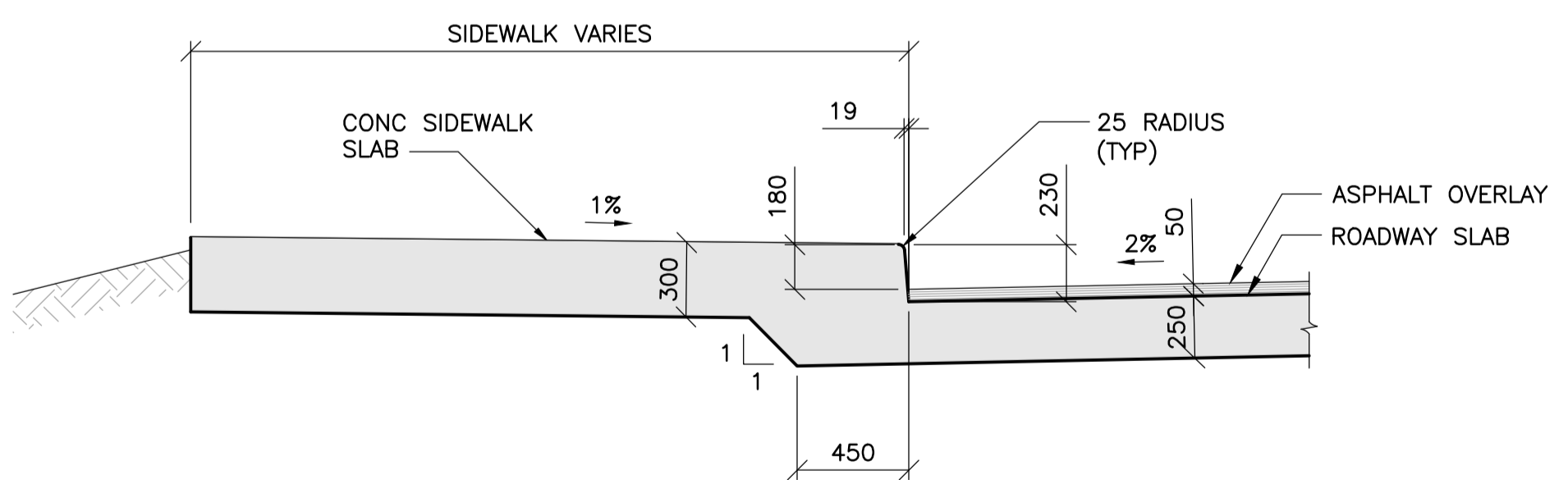
4 ROADWAY SLAB MEDIAN BARRIER - SECTION  
1 : 25



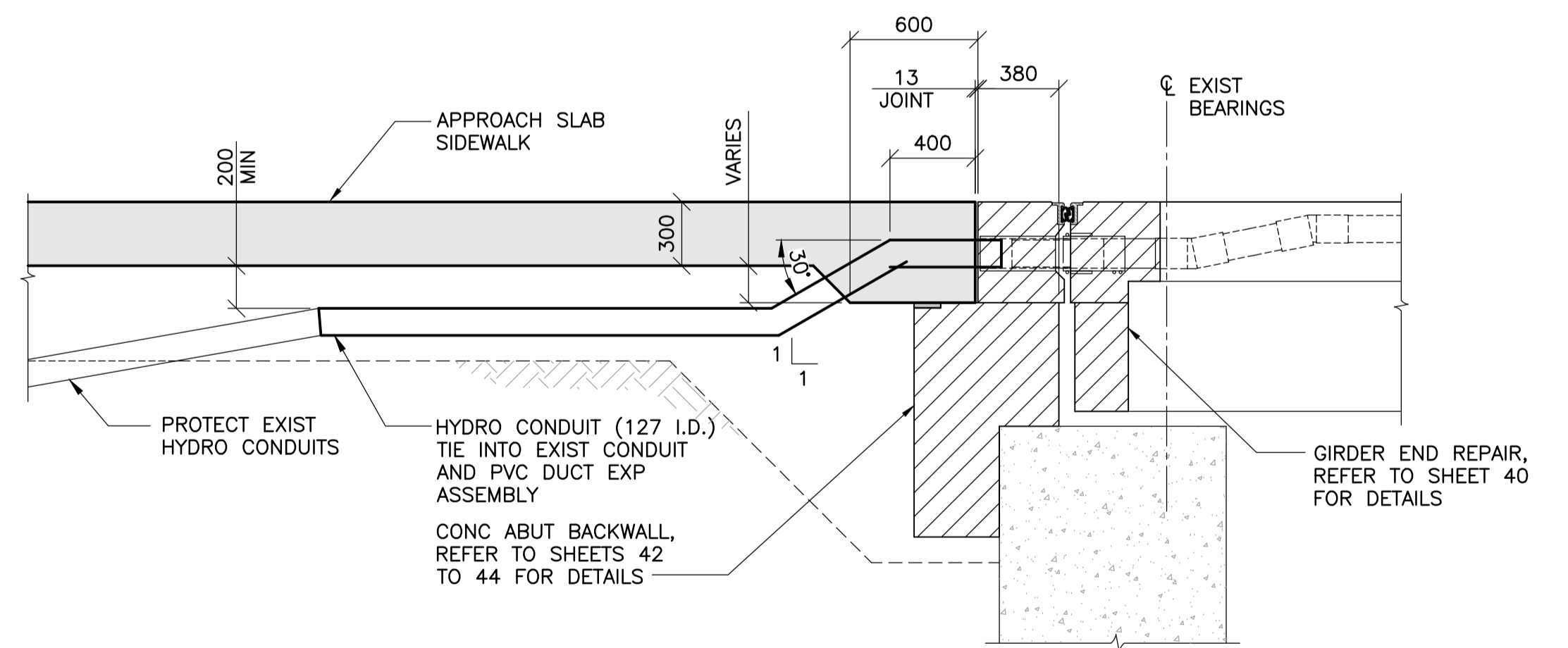
5 APPROACH SLAB SIDEWALK - SECTION  
1 : 25



6 EXPANSION SLAB SIDEWALK - SECTION  
1 : 25



7 ROADWAY SLAB SIDEWALK - SECTION  
1 : 25



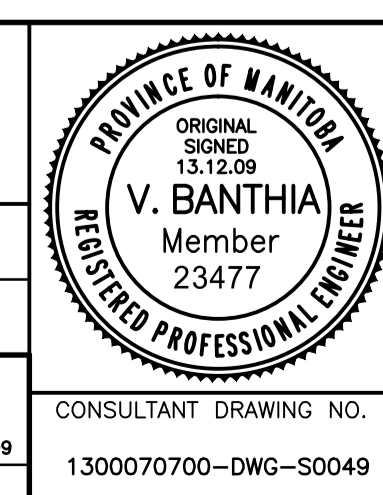
8 SECTION AT SIDEWALK  
1 : 25

- SALVAGE EXIST HYDRO CONDUITS THAT TIE INTO CONCRETE DUCT BANK. SPLICE EXISTING CONDUIT WITH NEW CONDUIT AND EXPANSION SLEEVES AT EXPANSION JOINT AND PORTION OF APPROACH SIDEWALK.



B.M. ELEV.	F.B.	DATE	BY
0	ISSUED FOR TENDER	13.12.09	V.B.
	NO. REVISIONS	DATE	BY
		13.07.18	

<b>TETRA TECH</b>	
DESIGNED BY: D.M.	CHECKED BY: V.B.
DRAWN BY: G.I.	APPROVED BY: E.F.S.
HOR. SCALE: AS NOTED	RELEASED FOR CONSTRUCTION DATE: 13.12.09
VERTICAL: AS NOTED	ORIGINAL SIGNED: 13.12.09
D. BURNER, P. KANE, BRIDGE PROJECTS ENGINEER	



<b>THE CITY OF WINNIPEG</b> PUBLIC WORKS DEPARTMENT ENGINEERING DIVISION	
<b>PORTAGE AVENUE TWIN BRIDGES</b> OVER STURGEON CREEK REHABILITATION AND RELATED WORKS	
PHASE 2 CONSTRUCTION WEST APPROACH SECTIONS	
CITY DRAWING NUMBER B178-14-049 SHEET 49 OF 70	
CONSULTANT DRAWING NO. 1300070700-DWG-S0049	
<b>49</b>	