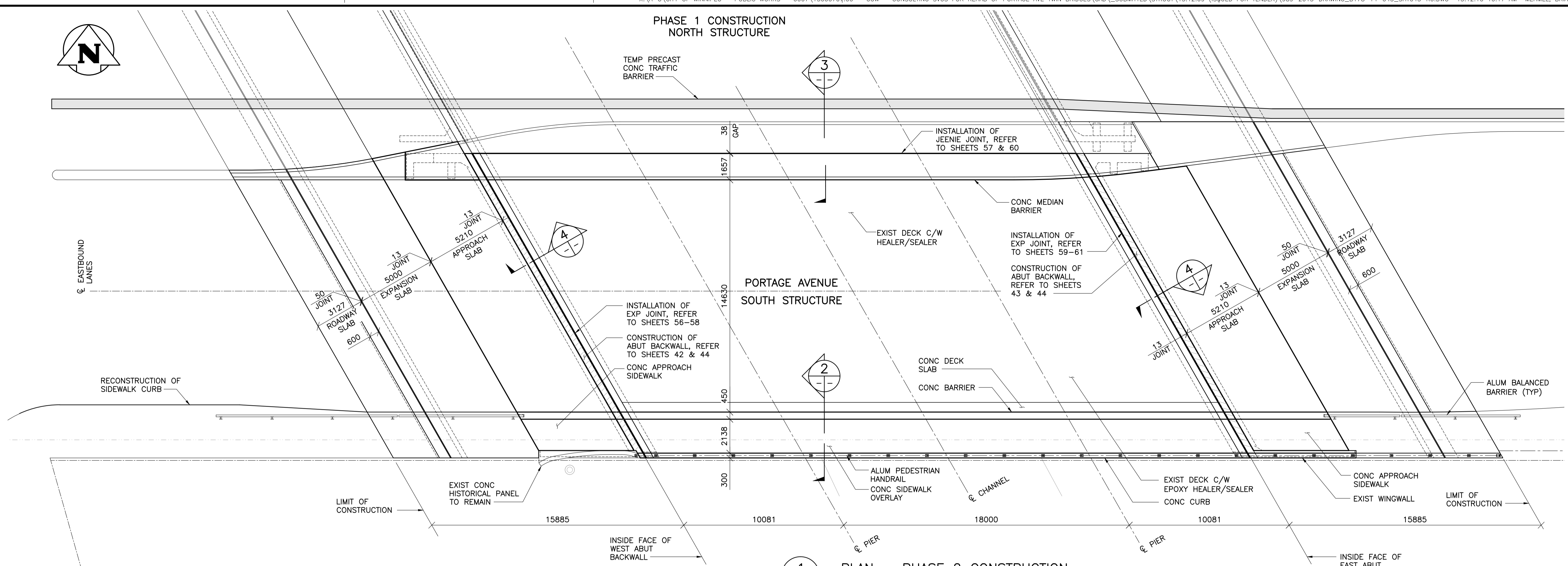
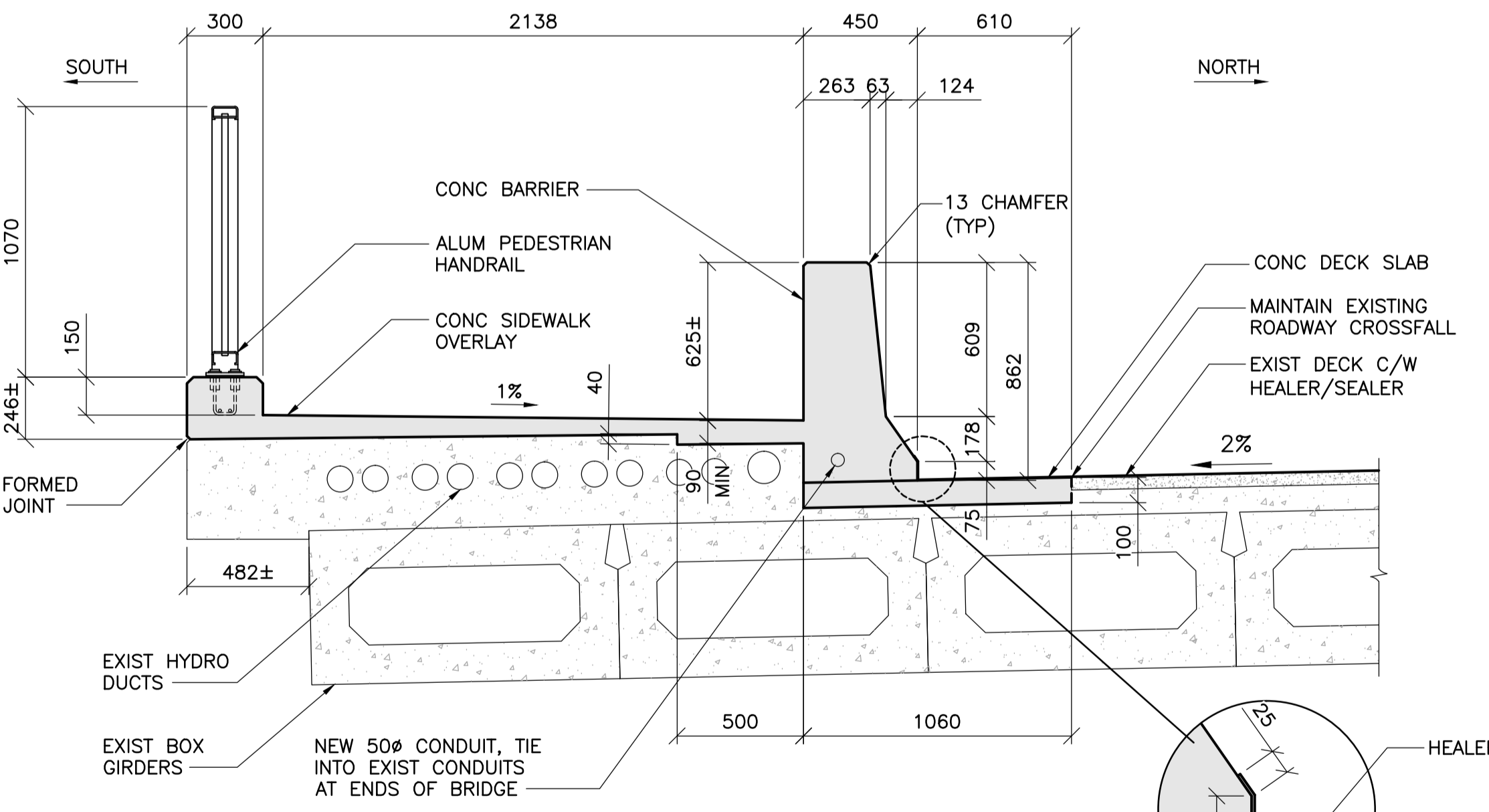


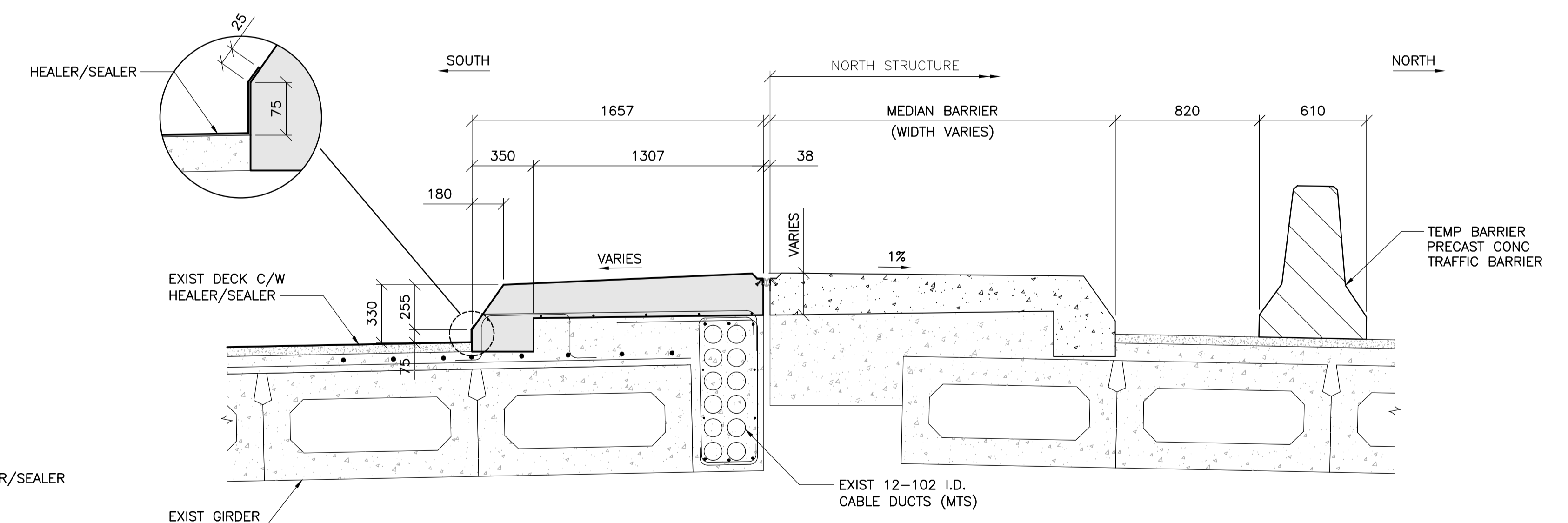
PHASE 1 CONSTRUCTION
NORTH STRUCTURE



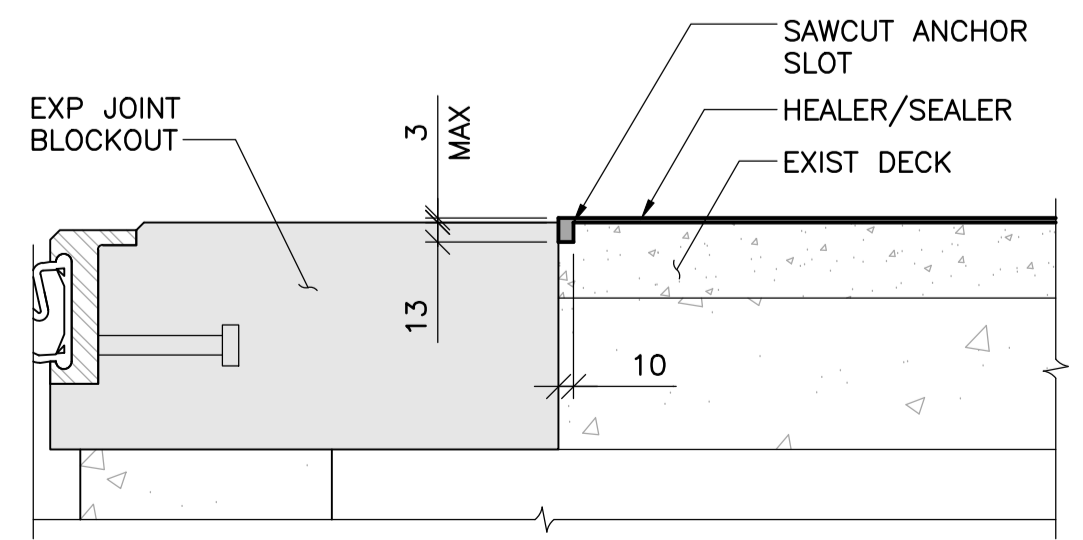
1
- -
PLAN - PHASE 2 CONSTRUCTION
1 : 125



2
- -
SECTION AT SIDEWALK
1 : 20



3
- -
SECTION AT MEDIAN BARRIER
1 : 20



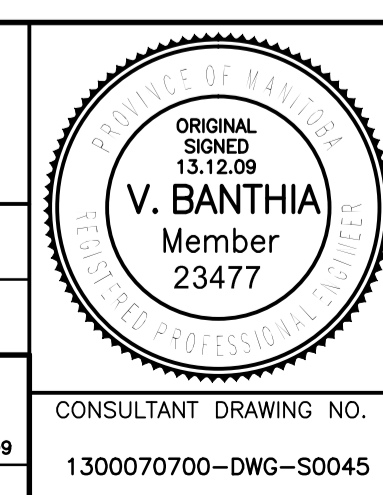
4
- -
SECTION
1 : 5

NOTE:
RELEVANT MISCELLANEOUS CONCRETE REPAIR NOTES DESCRIBED ON SHEET 15 ARE APPLICABLE FOR PHASE 2 CONSTRUCTION OR AS DIRECTED BY CONTRACT ADMINISTRATOR.



B.M. ELEV.	F.B.	DATE	BY
		13.12.09	V.B.
		13.07.18	

TETRA TECH	
DESIGNED BY: D.M.	CHECKED BY: V.B.
DRAWN BY: G.I.	APPROVED BY: E.F.S.
HOR. SCALE: AS NOTED	RELEASED FOR CONSTRUCTION DATE: 13.12.09
VERTICAL: AS NOTED	ORIGINAL SIGNED: 13.12.09
CONSULTANT DRAWING NO. 1300070700-DWG-S0045	



THE CITY OF WINNIPEG PUBLIC WORKS DEPARTMENT ENGINEERING DIVISION	
PORTAGE AVENUE TWIN BRIDGES OVER STURGEON CREEK REHABILITATION AND RELATED WORKS	CITY DRAWING NUMBER B178-14-045 SHEET 45 OF 70
PHASE 2 CONSTRUCTION SOUTH STRUCTURE - PLAN & SECTIONS	45