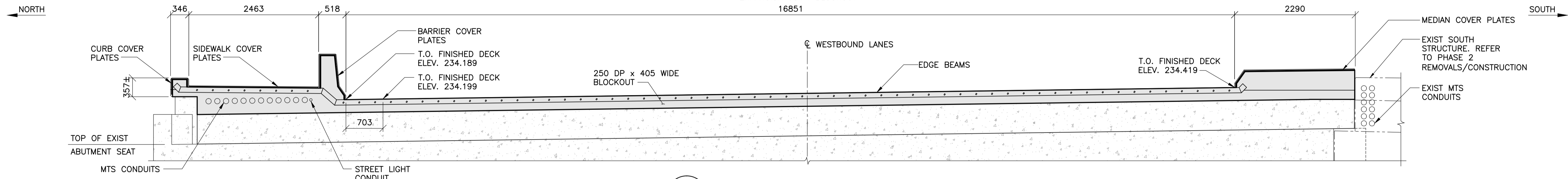


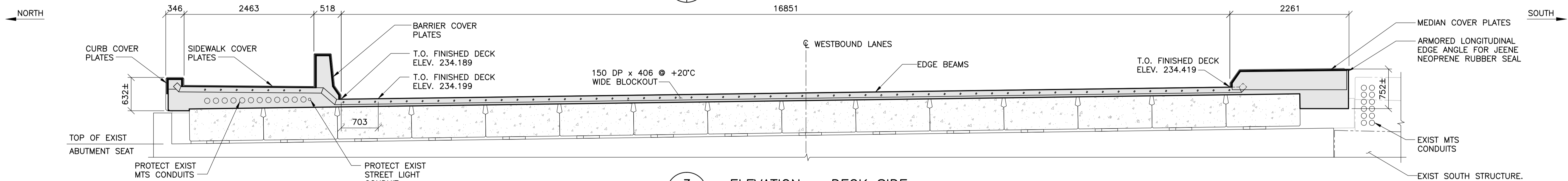
1 PLAN - EAST ABUTMENT

1 : 40
 - EXPANSION JOINT SHOWN AT +20°C
 - APPROACH SLAB TO BE CONSTRUCTED AFTER EXPANSION JOINT BLOCKOUT



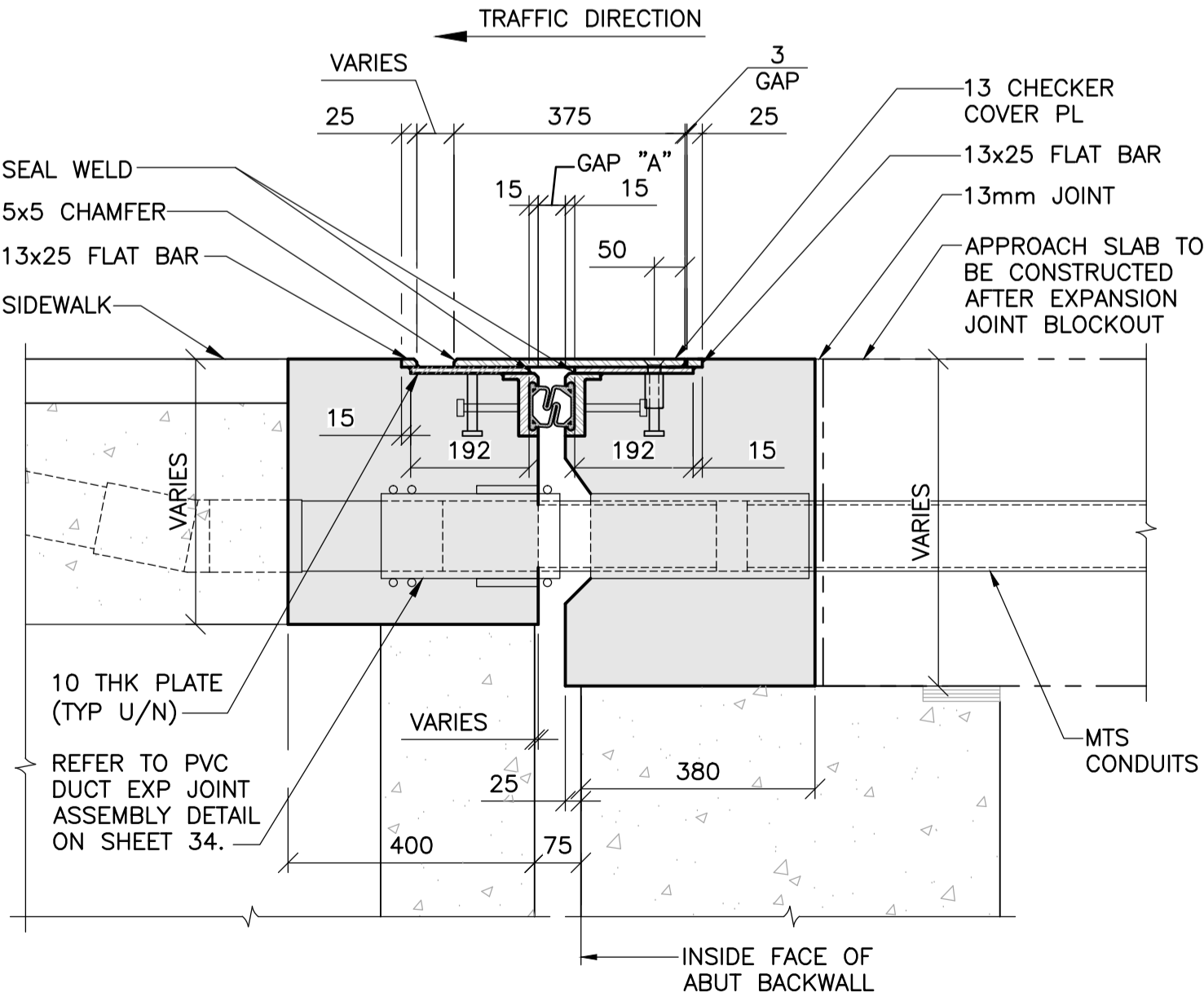
2 ELEVATION - ABUTMENT SIDE

1 : 40



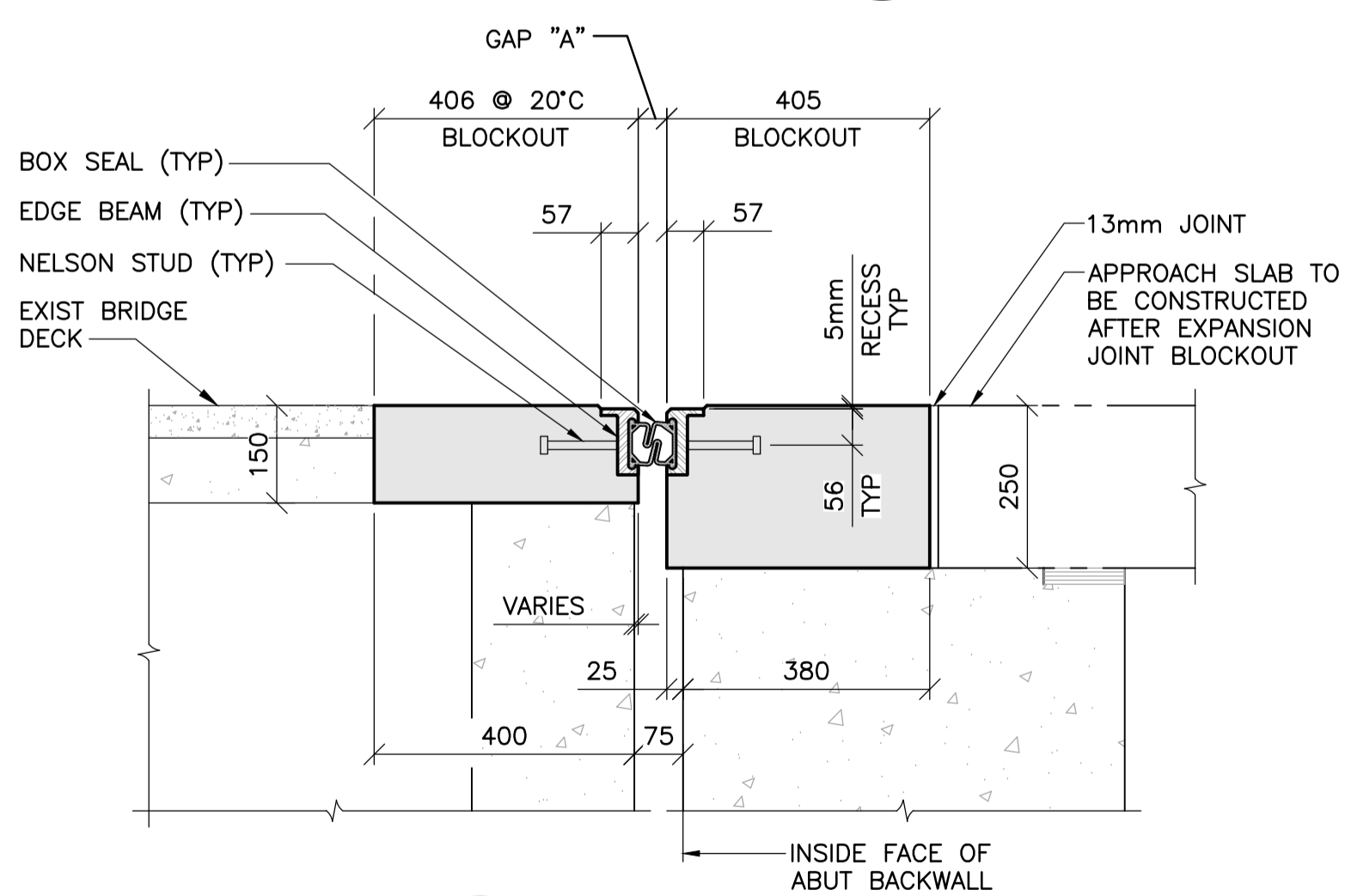
3 ELEVATION - DECK SIDE

1 : 40



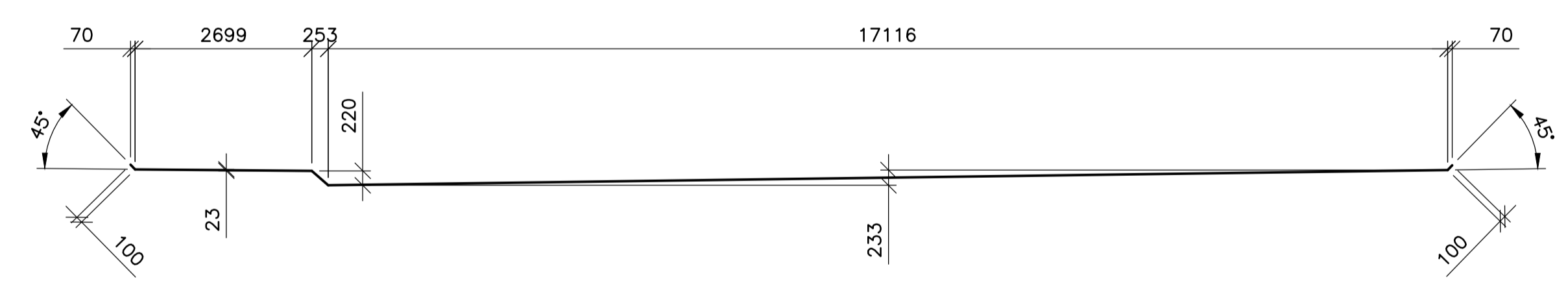
4 SECTION

1 : 10



5 SECTION

1 : 10



6 PROFILE DETAIL - EDGE BEAMS

1 : 75

| TEMP. | 25°C | 20°C | 15°C | 10°C | 5°C | 0°C | -5°C |
|-------|------|------|------|------|-----|-----|------|
| "A" | 43 | 44 | 45 | 46 | 47 | 48 | 49 |

FOR EAST ABUTMENT

NOTES:

- T.O. FINISHED DECK ELEVATIONS GIVEN ARE BASED ON RECORD DRAWINGS. T.O. FINISHED DECK TO MATCH EXISTING ROAD CROSSFALL AND VERTICAL PROFILE. CONTRACTOR TO FIELD VERIFY EXISTING SITE ELEVATIONS AND PROVIDE ELEVATIONS ALONG INSIDE FACE OF BACKWALL TO CONSULTANT PRIOR TO EXPANSION JOINT FABRICATION.
- REFER TO SHEET 30 FOR EXPANSION JOINT GENERAL NOTES AND DESIGN DATA.



| NO. | REVISIONS | DATE | BY | B.M. ELEV. | F.B. |
|-----|-----------|------|----|------------|------|
| | | | | | |

TETRA TECH

| | |
|----------------------|--|
| DESIGNED BY: K.Y. | CHECKED BY: V.B. |
| DRAWN BY: E.V. | APPROVED BY: E.F.S. |
| HOR. SCALE: AS NOTED | RELEASED FOR CONSTRUCTION DATE: 13.12.09 |
| VERTICAL: AS NOTED | ORIGINAL SIGNED: 13.12.09 |

0 ISSUED FOR TENDER 13.12.09 V.B.
 DATE 13.07.18

ORIGINAL SIGNED 13.12.09
V. BANTHIA
 Member 23477
 CONSULTANT DRAWING NO. 1300070700-DWG-50033

THE CITY OF WINNIPEG
 PUBLIC WORKS DEPARTMENT
 ENGINEERING DIVISION

PORTAGE AVENUE TWIN BRIDGES
 OVER STURGEON CREEK
 REHABILITATION AND RELATED WORKS

PHASE 1 CONSTRUCTION
 EAST ABUTMENT EXPANSION JOINT
 PLAN, ELEVATION AND PROFILE

CITY DRAWING NUMBER B178-14-033
 SHEET 33 OF 70

33