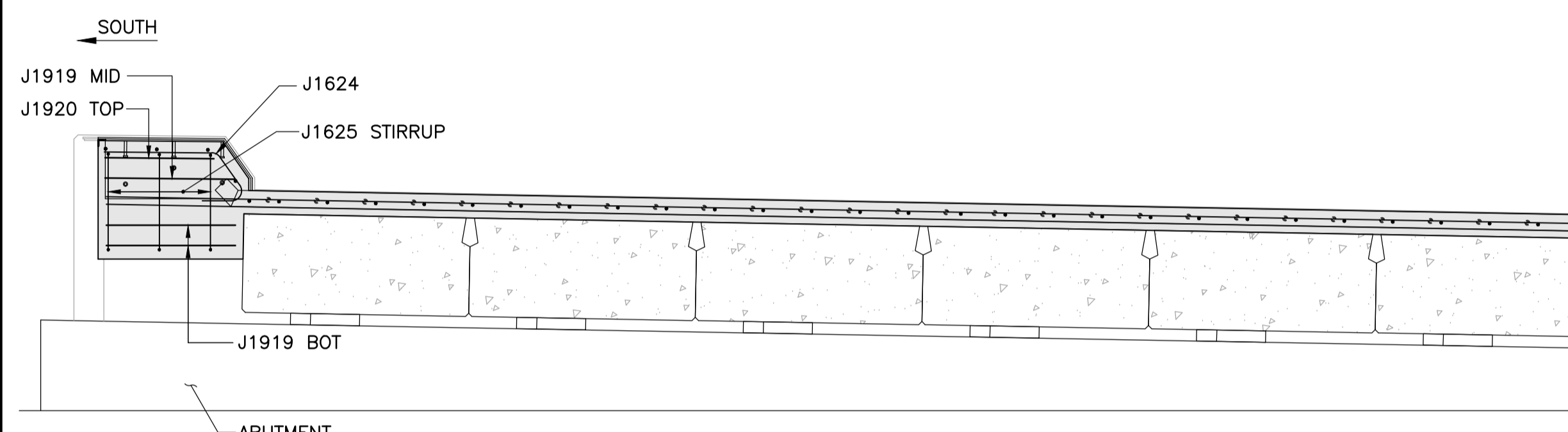


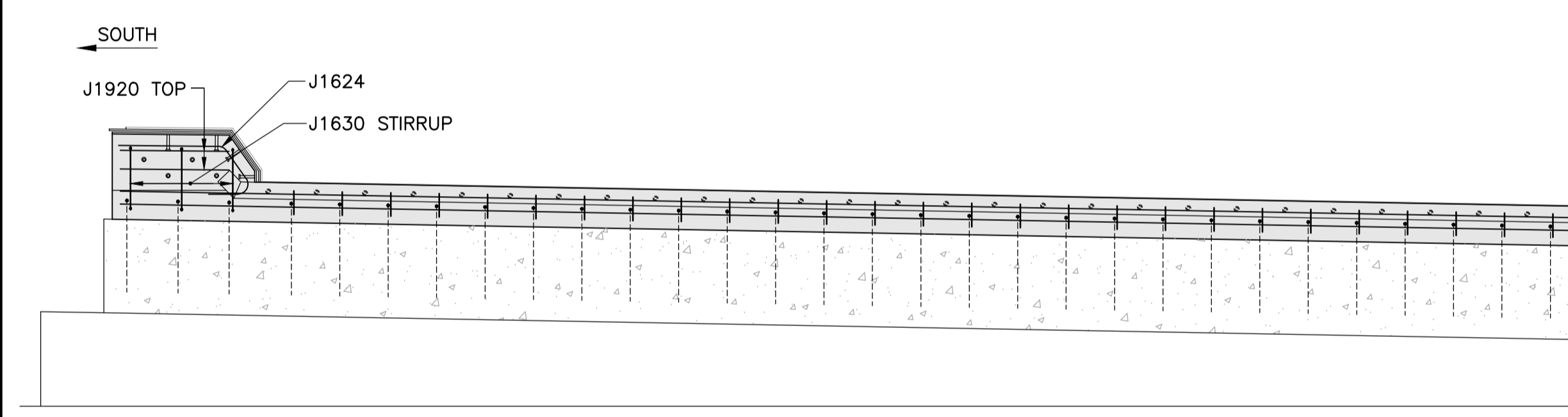
1 PLAN - WEST ABUTMENT

1 : 30
 - APPROACH SLAB DOWELS NOT SHOWN FOR CLARITY
 - EXIST REINFORCING NOT SHOWN FOR CLARITY.
 DRILL AND EPOXY J1915 PRIOR TO PLACING EXPANSION JOINT. LAYOUT LOCATIONS OF DOWELS PRIOR TO DRILLING AND SHIFT DOWELS THAT CONFLICT WITH EXPANSION JOINT ANCHORS AND EXIST REINFORCING (350mm MAX SPACING)



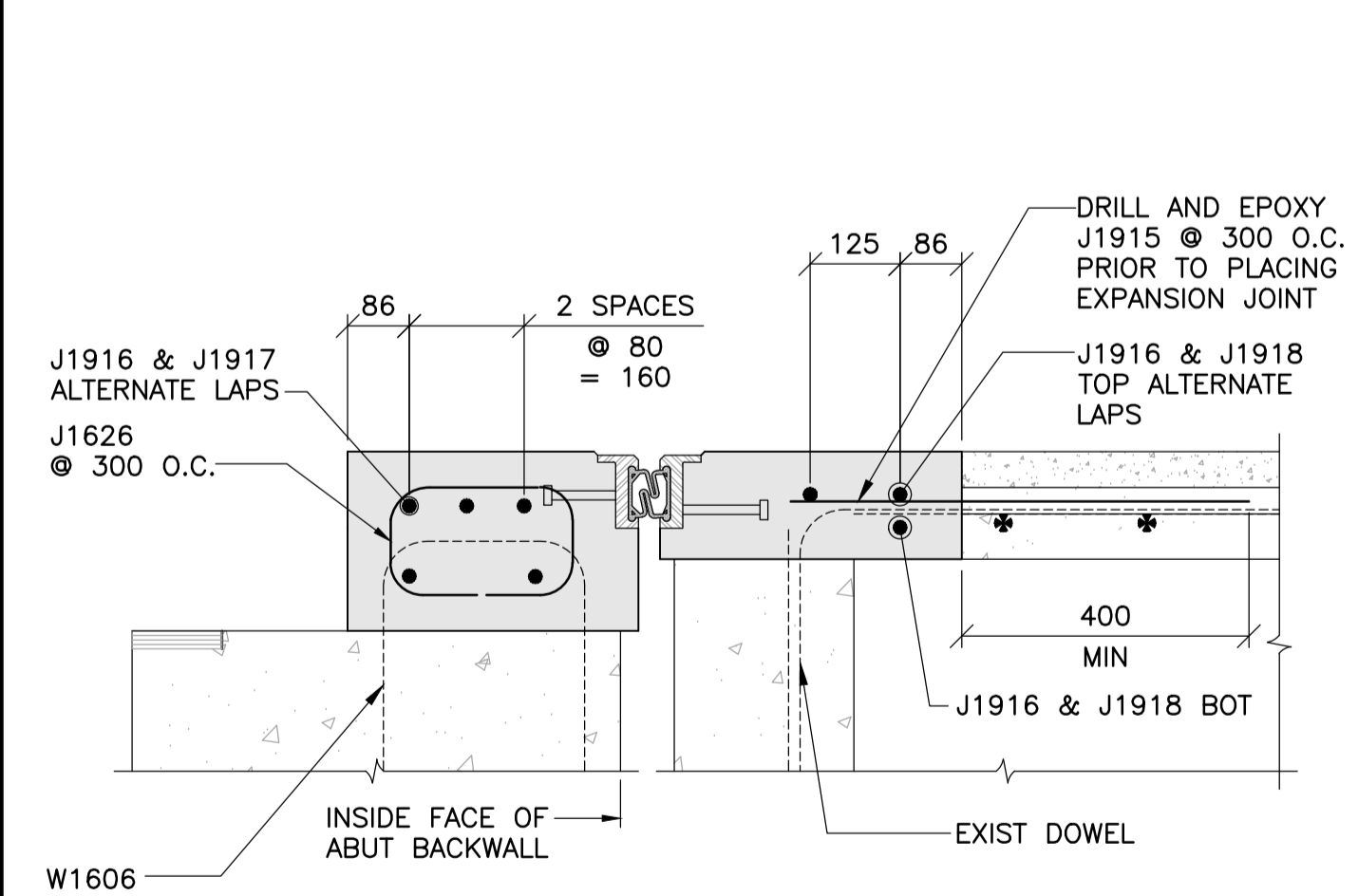
2 ELEVATION - DECK SIDE

1 : 30
 - EXIST REINFORCING NOT SHOWN FOR CLARITY.

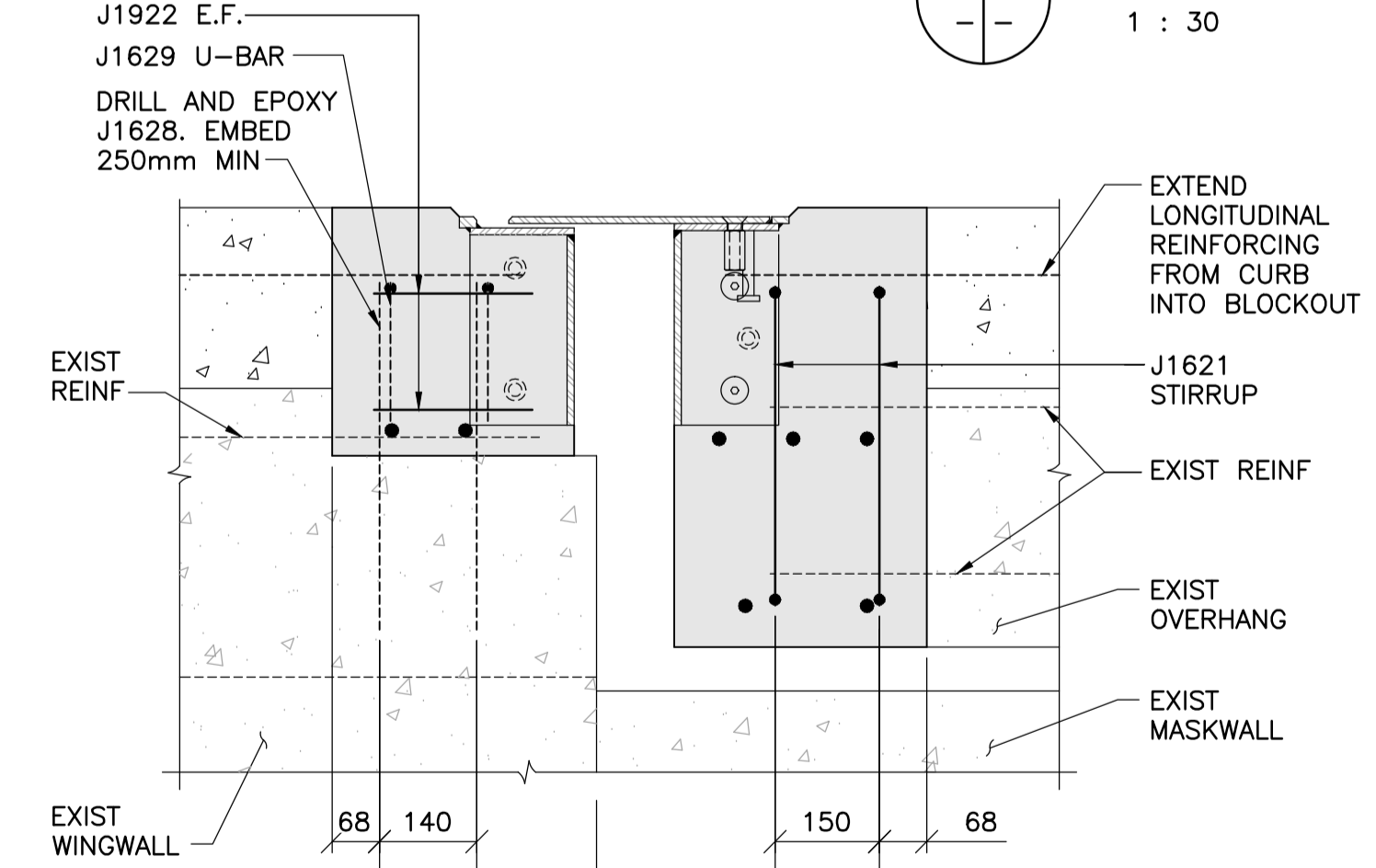


3 ELEVATION - ABUTMENT SIDE

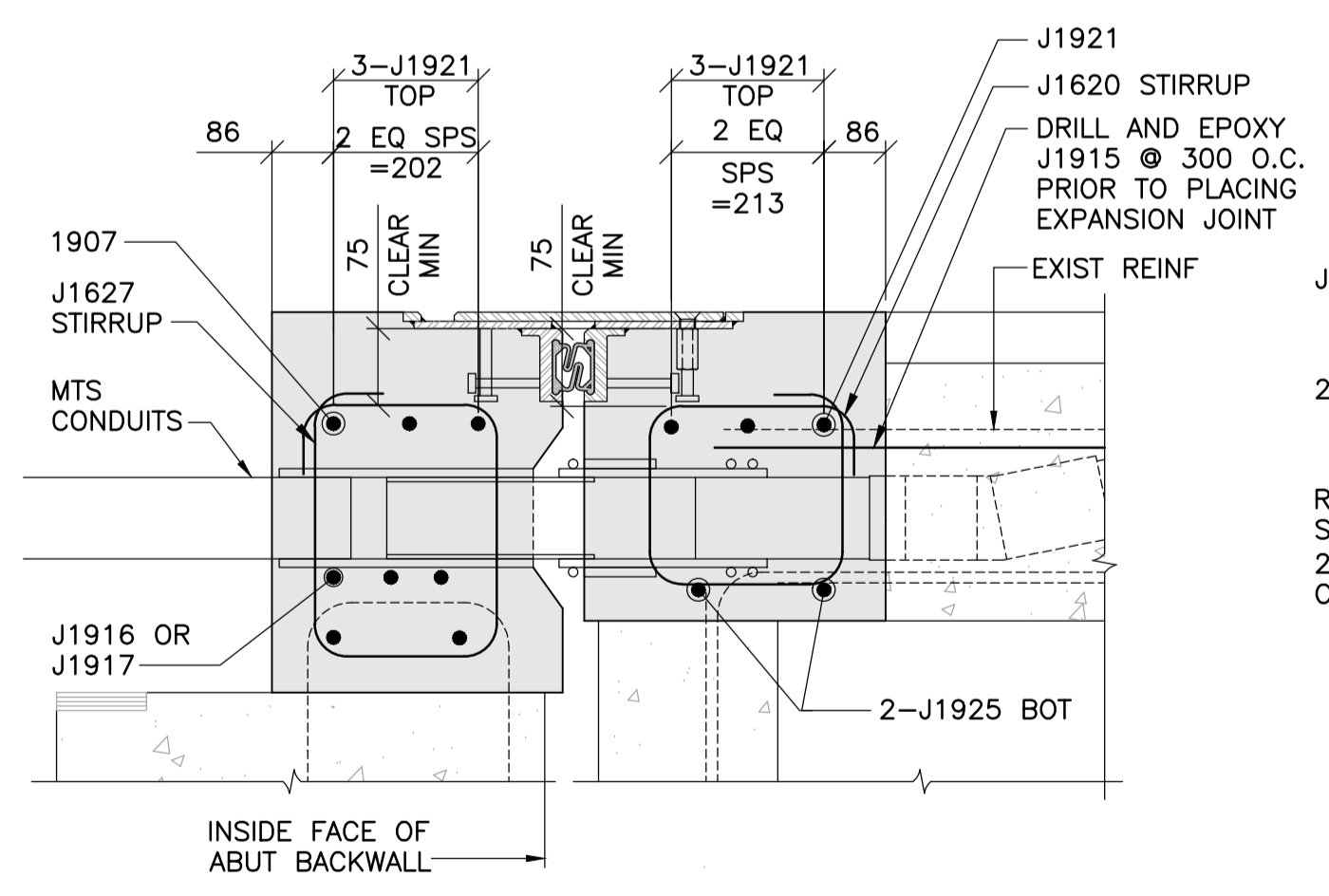
1 : 30



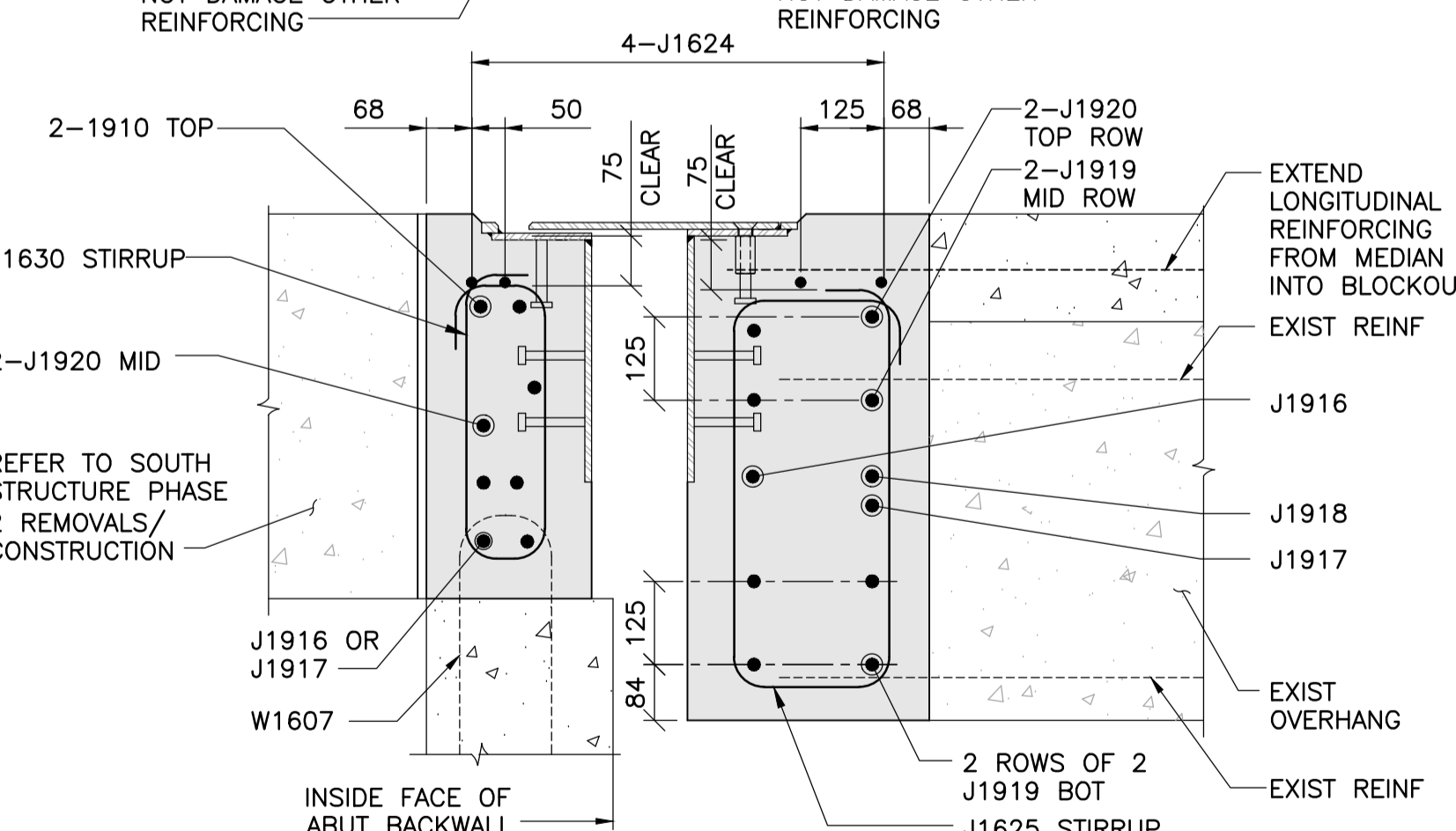
4 SECTION 1 : 10



5 SECTION 1 : 10



6 SECTION 1 : 10



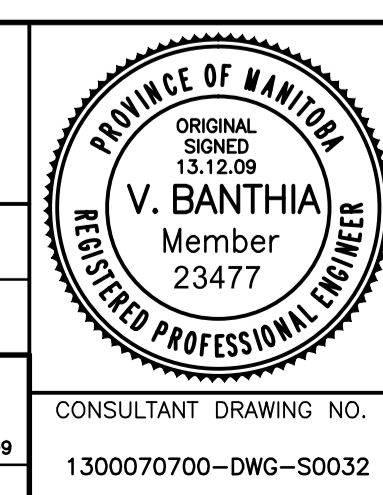
7 SECTION 1 : 10

- NOTES:**
- CUT EXISTING LONGITUDINAL DECK REINFORCING TO PROVIDE 50mm CLEAR TO END PLATE.
 - PROTECT EXIST MTS CONDUITS. CONDUITS TO BE PLACED TO MATCH EXIST CONDUITS.
 - AVOID ANY CONTACT BETWEEN MMF REINFORCING STEEL AND GALVANIZED ANCHORS.
 - EXIST REINFORCING SHOWN BASED ON RECORD DRAWINGS.
 - LOCATE REINFORCING SPLICES NOT INDICATED ON THE DRAWINGS AT POINTS OF MINIMUM STRESS. LOCATIONS OF SPICES TO BE APPROVED BY CONTRACT ADMINISTRATOR.



B.M. ELEV.	F.B.	DATE	BY
		13.12.09	V.B.
		13.07.18	

TETRA TECH	
DESIGNED BY: K.Y.	CHECKED BY: V.B.
DRAWN BY: E.V.	APPROVED BY: E.F.S.
HOR. SCALE: AS NOTED	RELEASED FOR CONSTRUCTION DATE: 13.12.09
VERTICAL: AS NOTED	ORIGINAL SIGNED: 13.12.09
CONSULTANT DRAWING NO. 1300070700-DWG-S0032	



THE CITY OF WINNIPEG
 PUBLIC WORKS DEPARTMENT
 ENGINEERING DIVISION

PORTAGE AVENUE TWIN BRIDGES
 OVER STURGEON CREEK
 REHABILITATION AND RELATED WORKS

PHASE 1 CONSTRUCTION
 WEST ABUTMENT EXPANSION JOINT
 REINFORCING DETAILS

CITY DRAWING NUMBER B178-14-032	SHEET 32	OF 70
32		