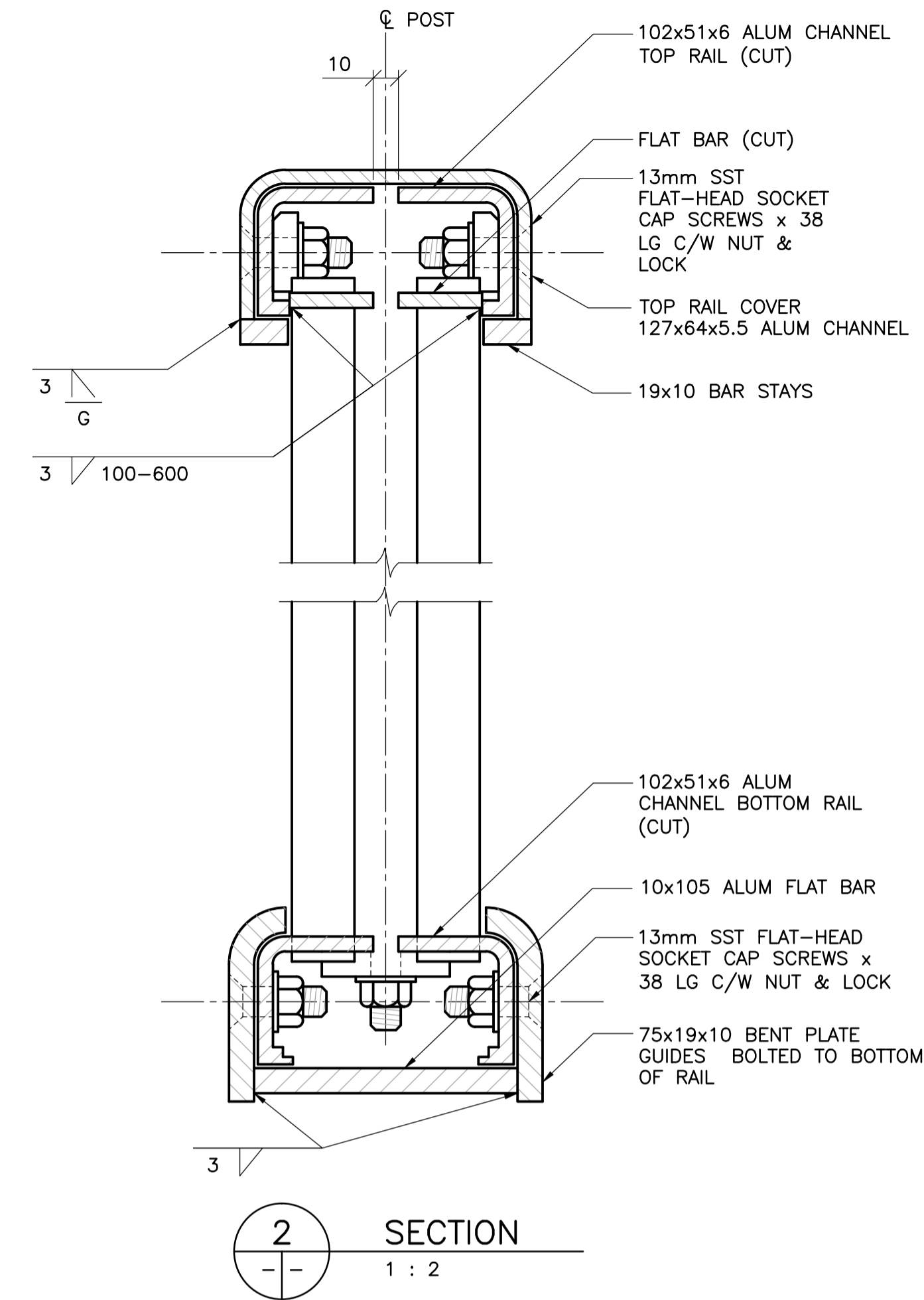
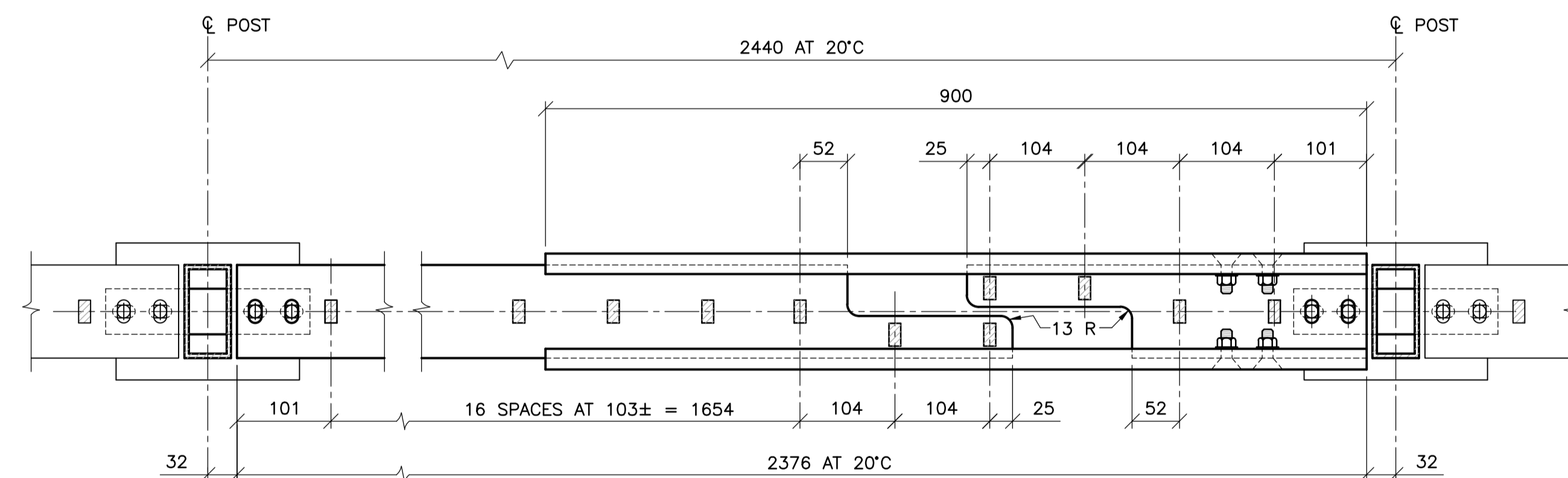


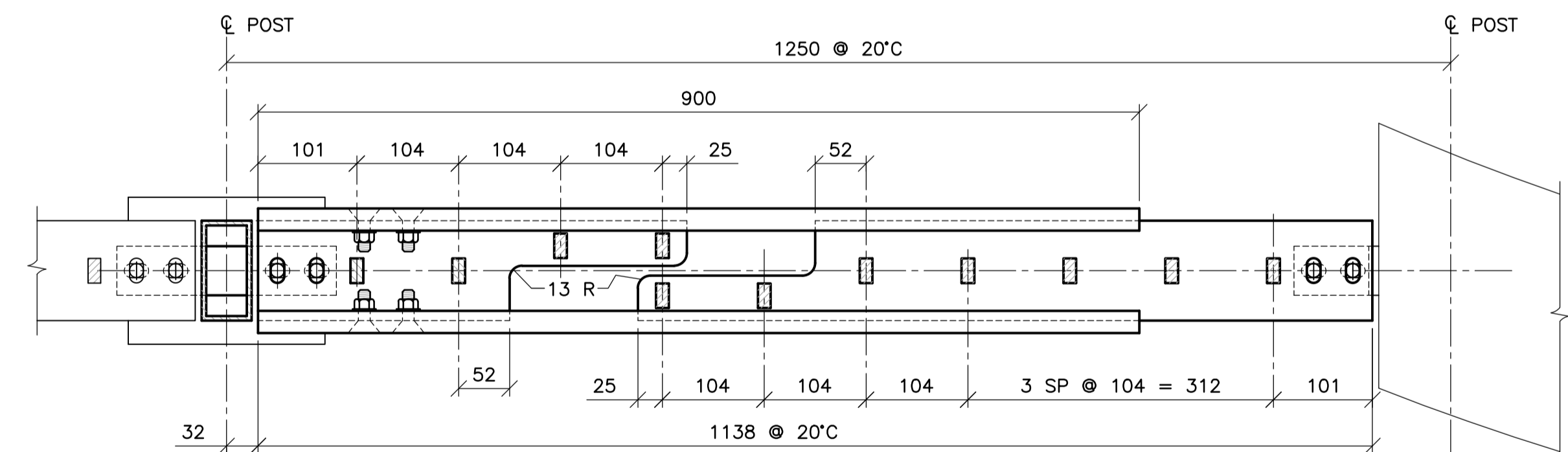
1 EXPANSION PANEL - Mk. 'C'
1 : 5
- LONGITUDINAL SECTION AT CENTRELINE OF RAILS
- EXPANSION PANEL Mk. 'D' SIMILAR



2 SECTION
1 : 2



3 PLAN/SECTION AT LOWER RAIL - EXPANSION PANEL Mk. 'C'
1 : 5

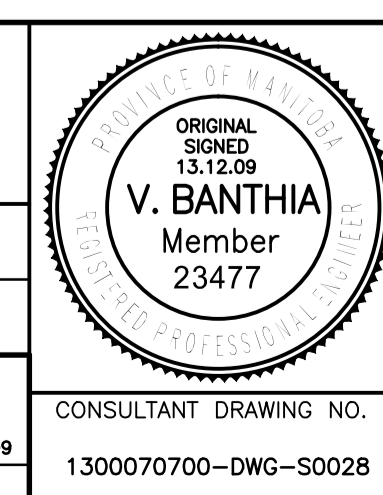


4 PLAN/SECTION AT LOWER RAIL - EXPANSION PANEL Mk. 'D'
1 : 5



B.M. ELEV.	F.B.	DATE	BY
0	ISSUED FOR TENDER	13.12.09	V.B.
	NO. REVISIONS	DATE	BY

TETRA TECH	
DESIGNED BY D.M.	CHECKED BY V.B.
DRAWN BY G.I.	APPROVED BY E.F.S.
HOR. SCALE: AS NOTED	RELEASED FOR CONSTRUCTION DATE 13.12.09
VERTICAL: AS NOTED	ORIGINAL SIGNED 13.12.09
DATE 13.07.18	



THE CITY OF WINNIPEG PUBLIC WORKS DEPARTMENT ENGINEERING DIVISION		CITY DRAWING NUMBER B178-14-028
PORTAGE AVENUE TWIN BRIDGES OVER STURGEON CREEK REHABILITATION AND RELATED WORKS		SHEET 28 OF 70
PHASE 1 CONSTRUCTION ALUMINUM PEDESTRIAN HANDRAIL SECTIONS AND DETAILS		28