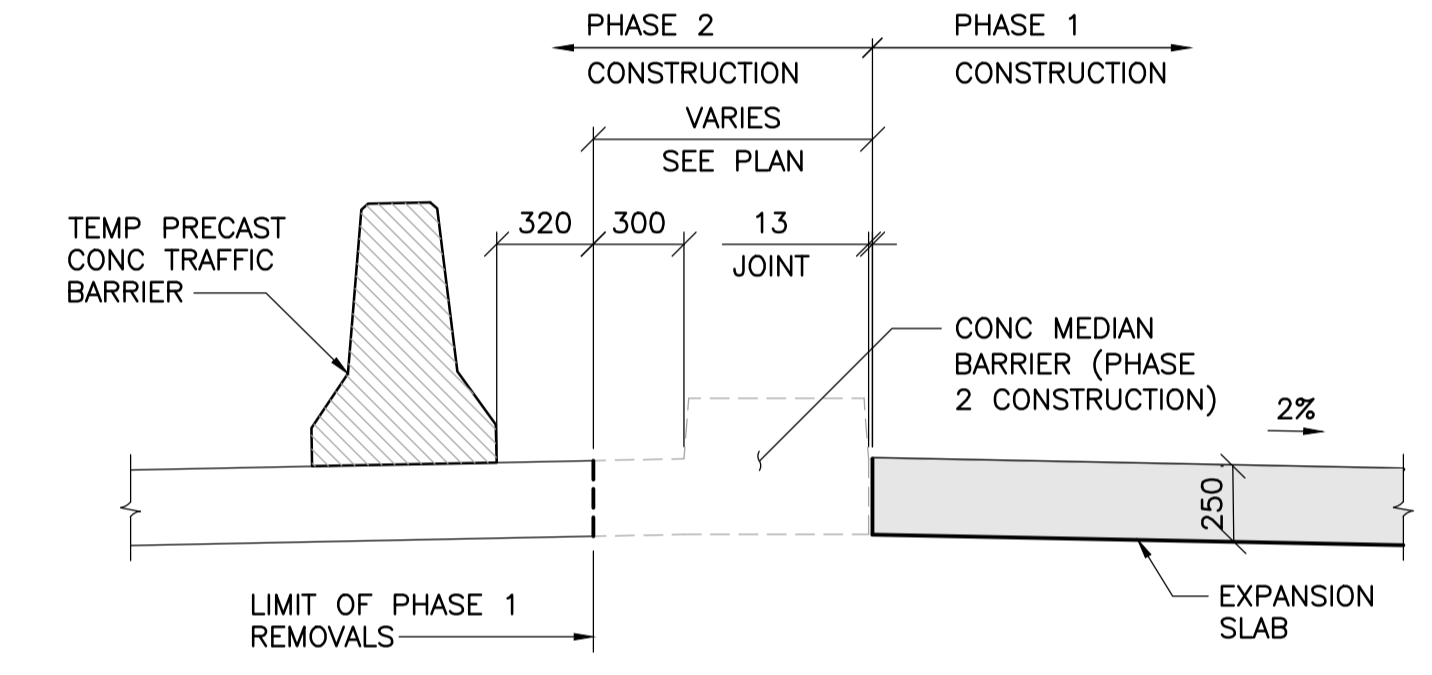
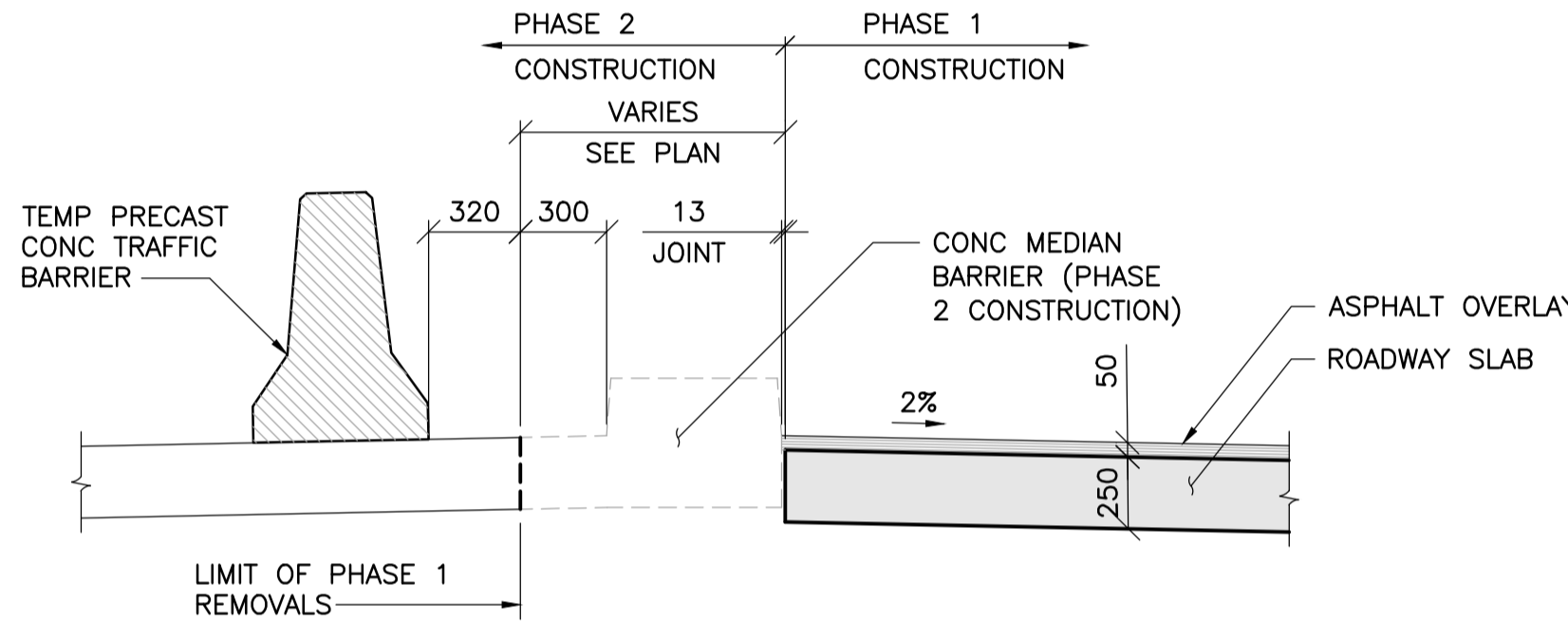


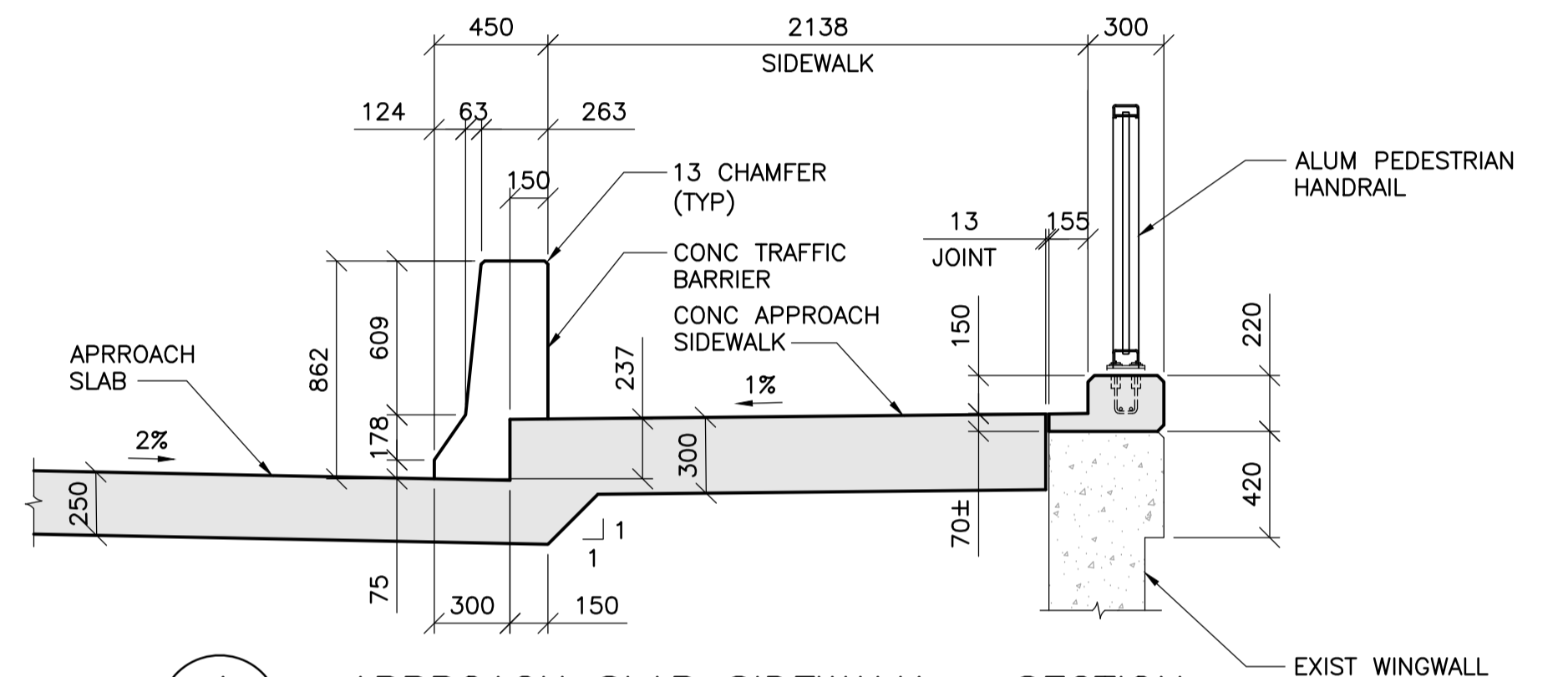
1 SECTION
19/20 1 : 25



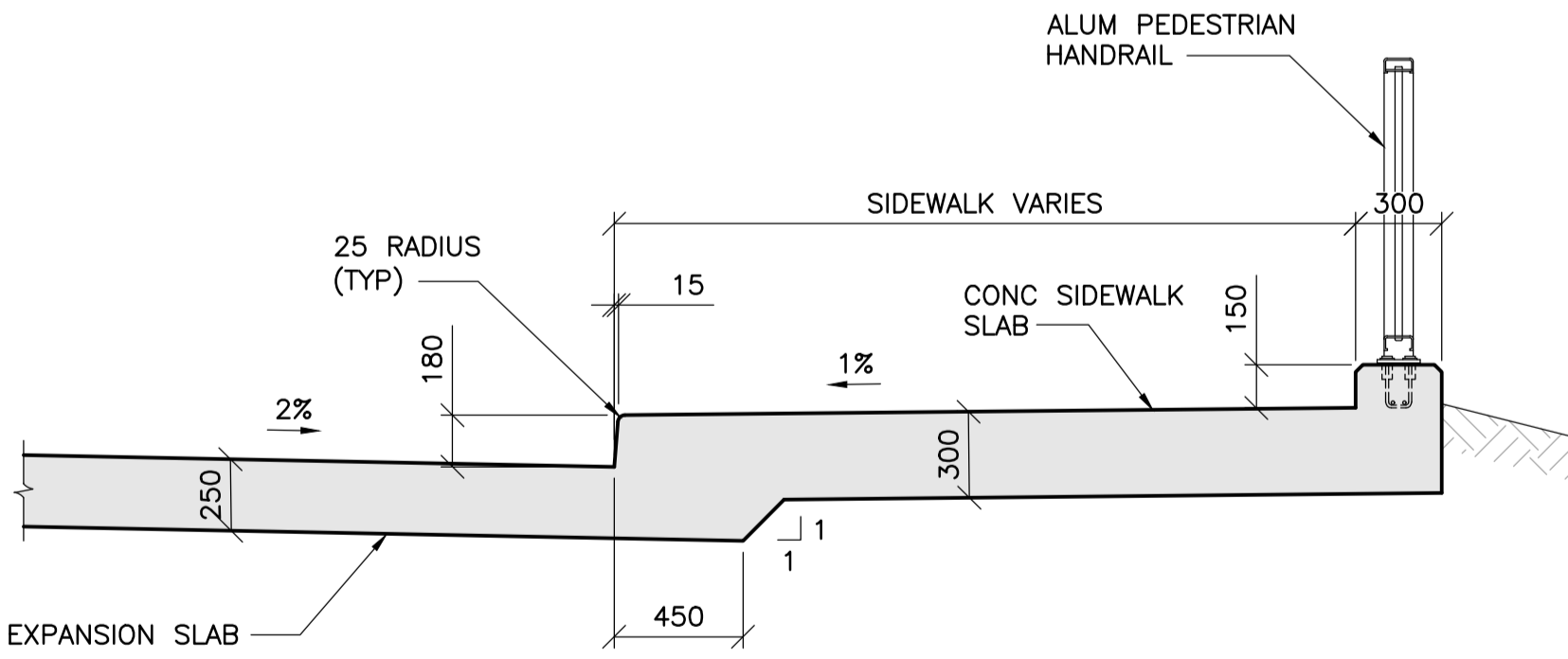
2 EXPANSION SLAB MEDIAN BARRIER - SECTION
19/20 1 : 25



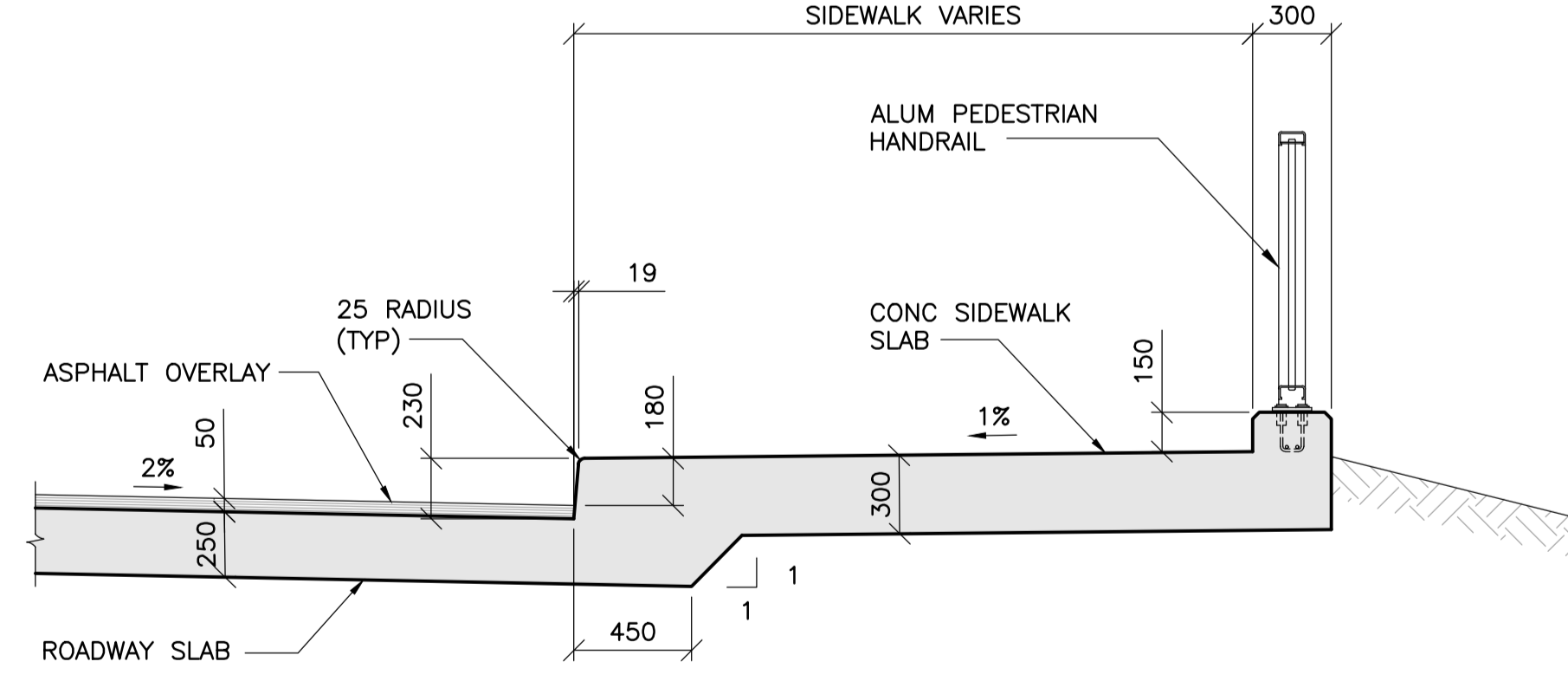
3 ROADWAY SLAB MEDIAN BARRIER - SECTION
19/20 1 : 25



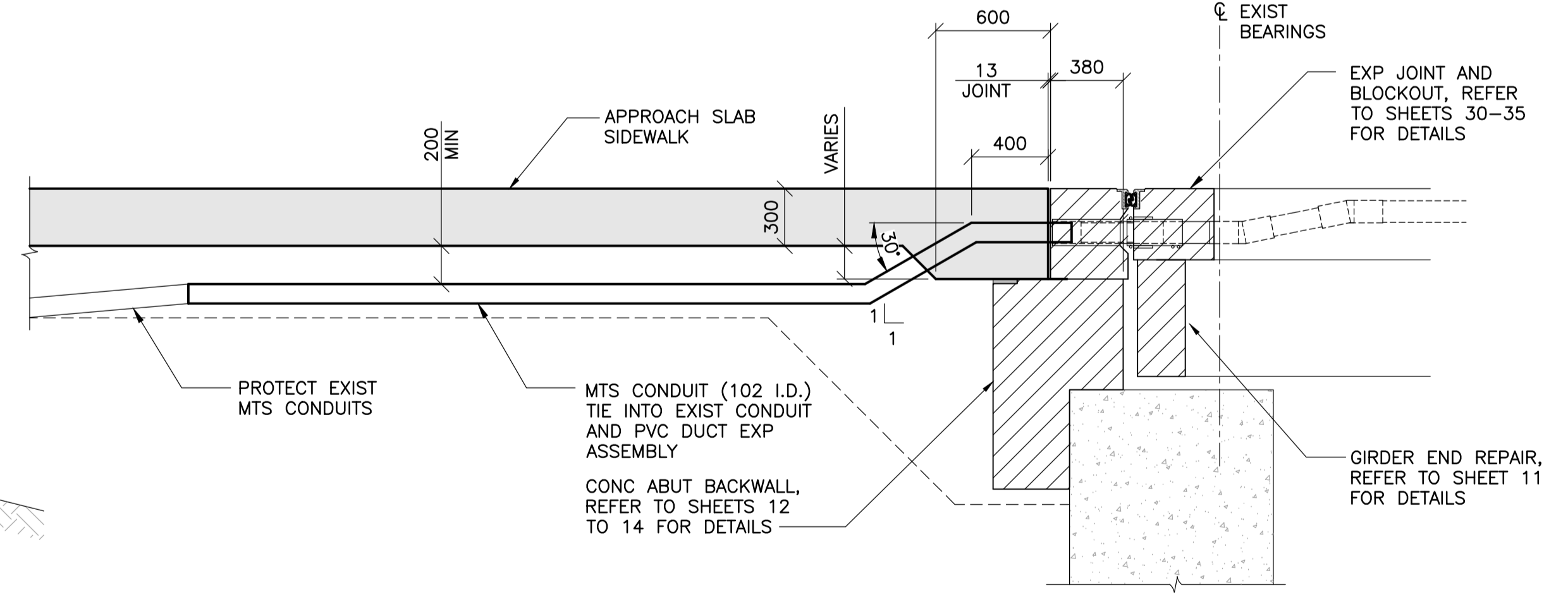
4 APPROACH SLAB SIDEWALK - SECTION
19/20 1 : 25



5 EXPANSION SLAB SIDEWALK - SECTION
19/20 1 : 25



6 ROADWAY SLAB SIDEWALK - SECTION
19/20 1 : 25



7 SECTION AT SIDEWALK
19/20 1 : 25

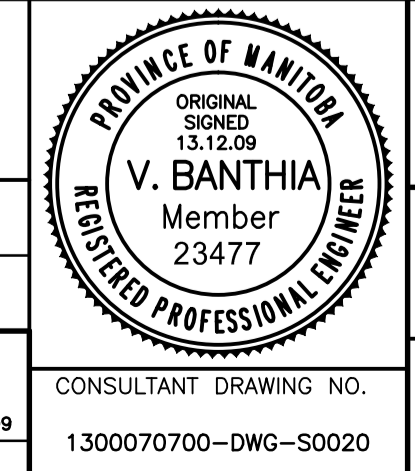
- SALVAGE EXIST MTS CONDUITS THAT TIE INTO CONCRETE DUCT BANK. SPLICE EXISTING CONDUIT WITH NEW CONDUIT AND EXPANSION SLEEVES AT EXPANSION JOINT AND PORTION OF APPROACH SIDEWALK.



B.M. ELEV.	F.B.	DATE	BY
0	ISSUED FOR TENDER	13.12.09	V.B.
	NO. REVISIONS	DATE	BY
		13.07.18	



DESIGNED BY	D.M.	CHECKED BY	V.B.
DRAWN BY	G.I.	APPROVED BY	E.F.S.
HOR. SCALE:	AS NOTED	RELEASED FOR CONSTRUCTION DATE	
VERTICAL:		ORIGINAL SIGNED	13.12.09
		<small>D. BURNETT, P. LEUNG, BRIDGE PROJ. ENGRS ENGINEER</small>	



PORTAGE AVENUE TWIN BRIDGES OVER STURGEON CREEK REHABILITATION AND RELATED WORKS	CITY DRAWING NUMBER B178-14-020 SHEET 20 OF 70
PHASE 1 CONSTRUCTION WEST APPROACH SLAB - SECTIONS	20