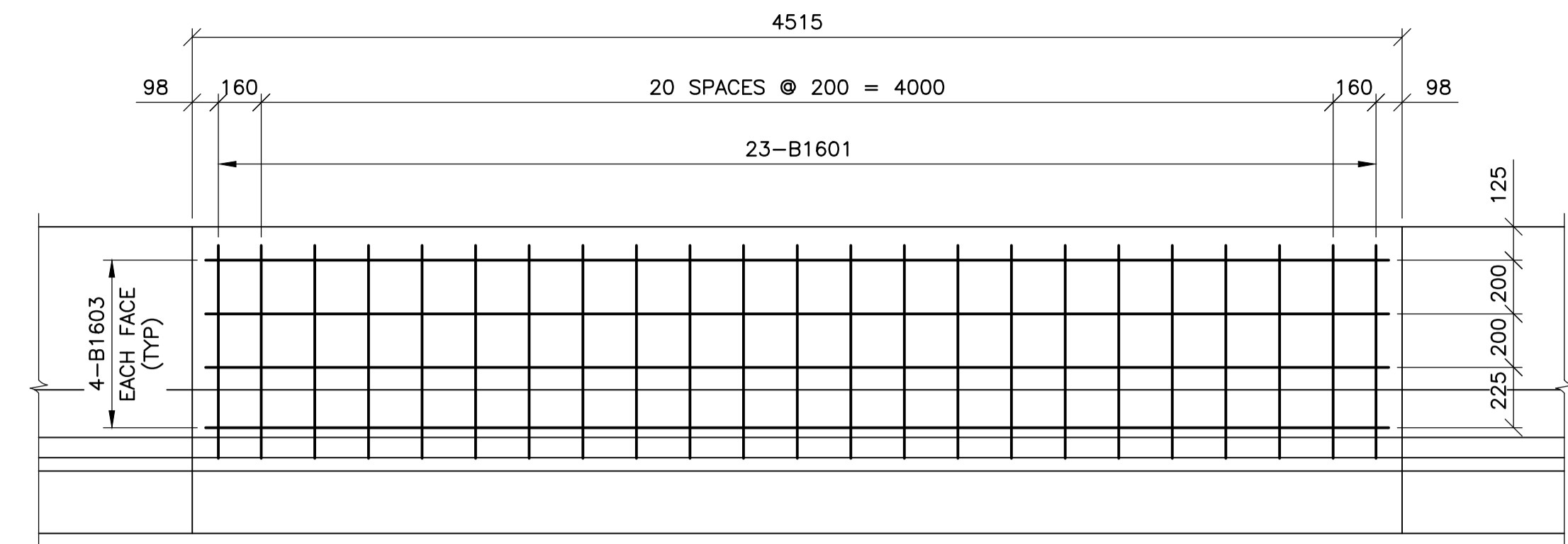
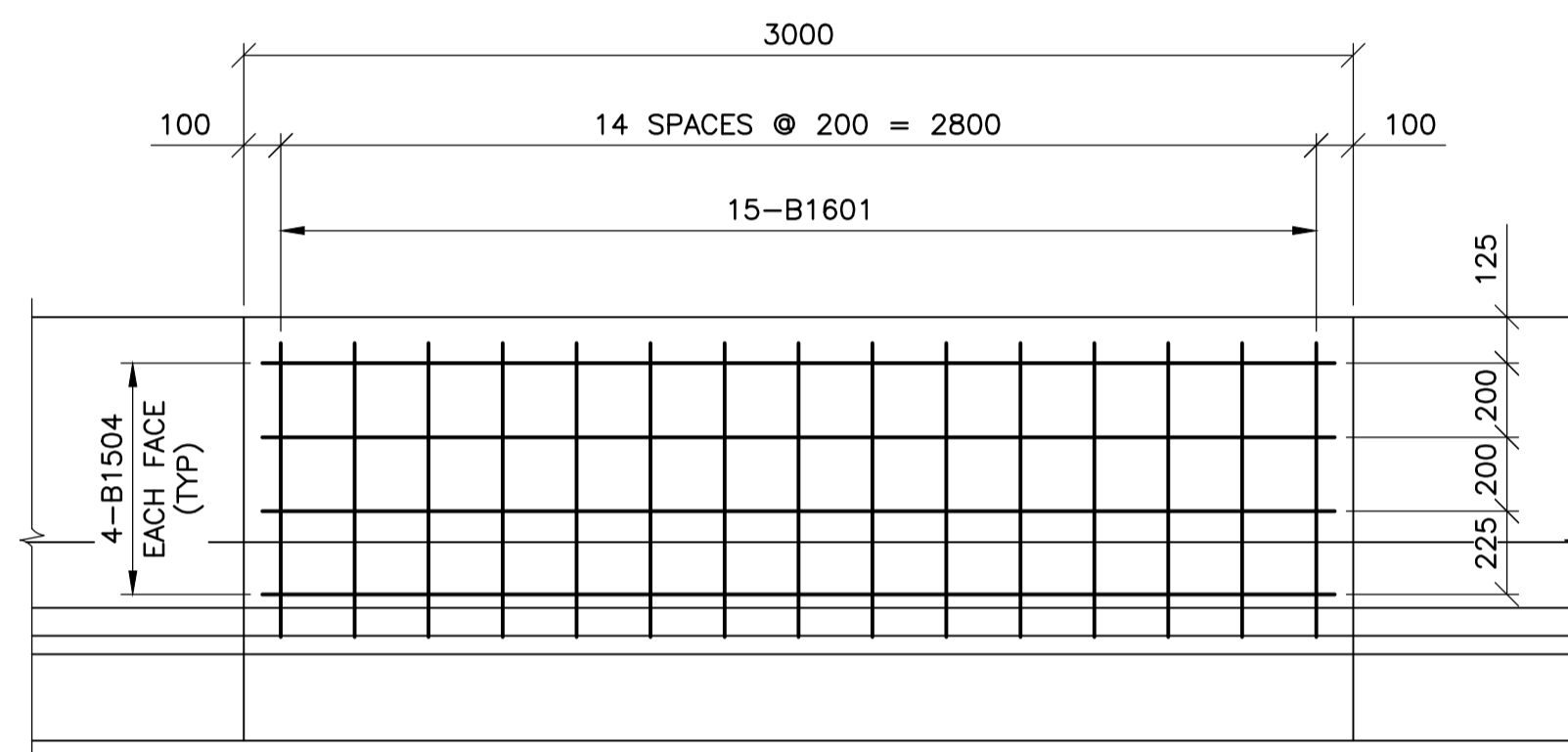


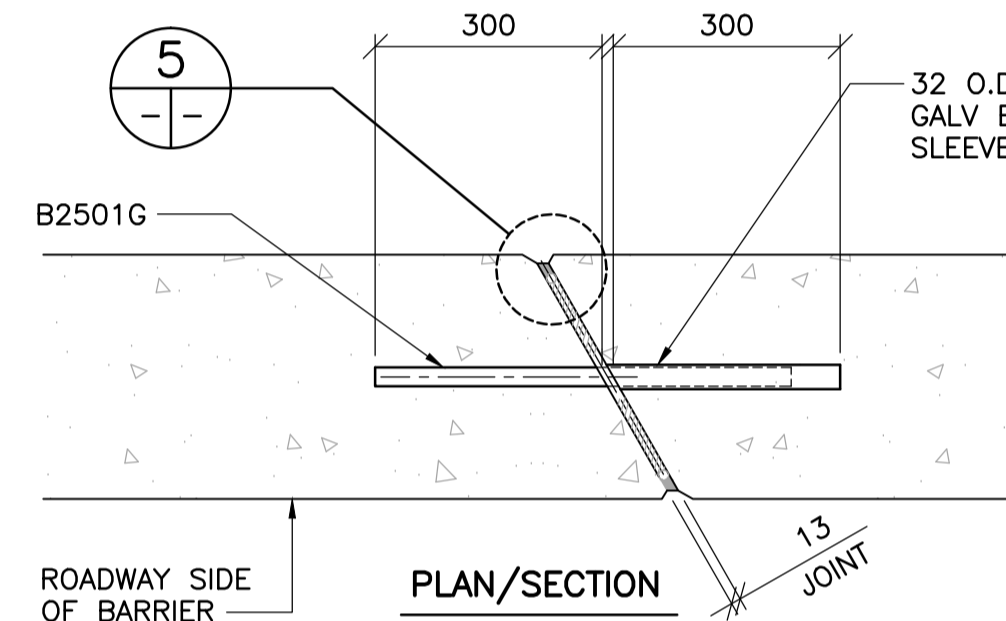
**1** CONCRETE BARRIER REINF (5800 LG PANEL)  
1 : 20  
- 5 LOCATIONS AS SHOWN



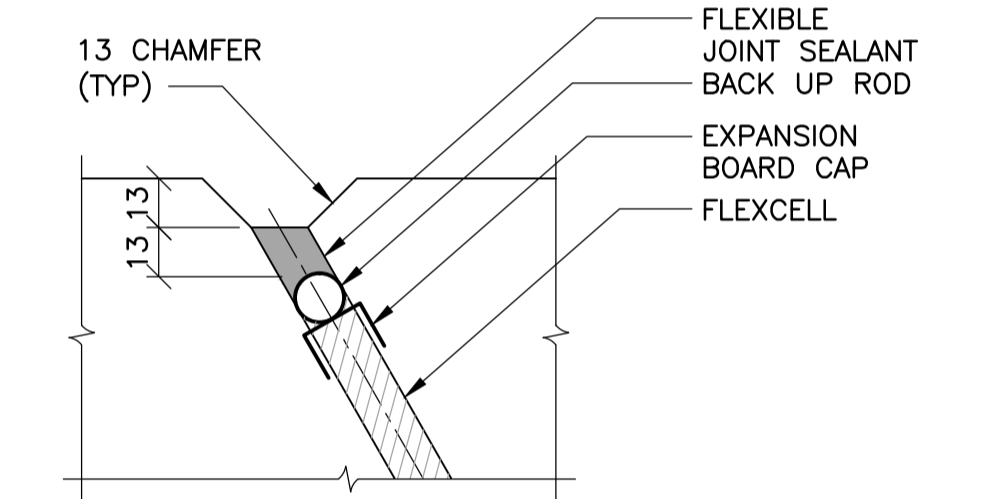
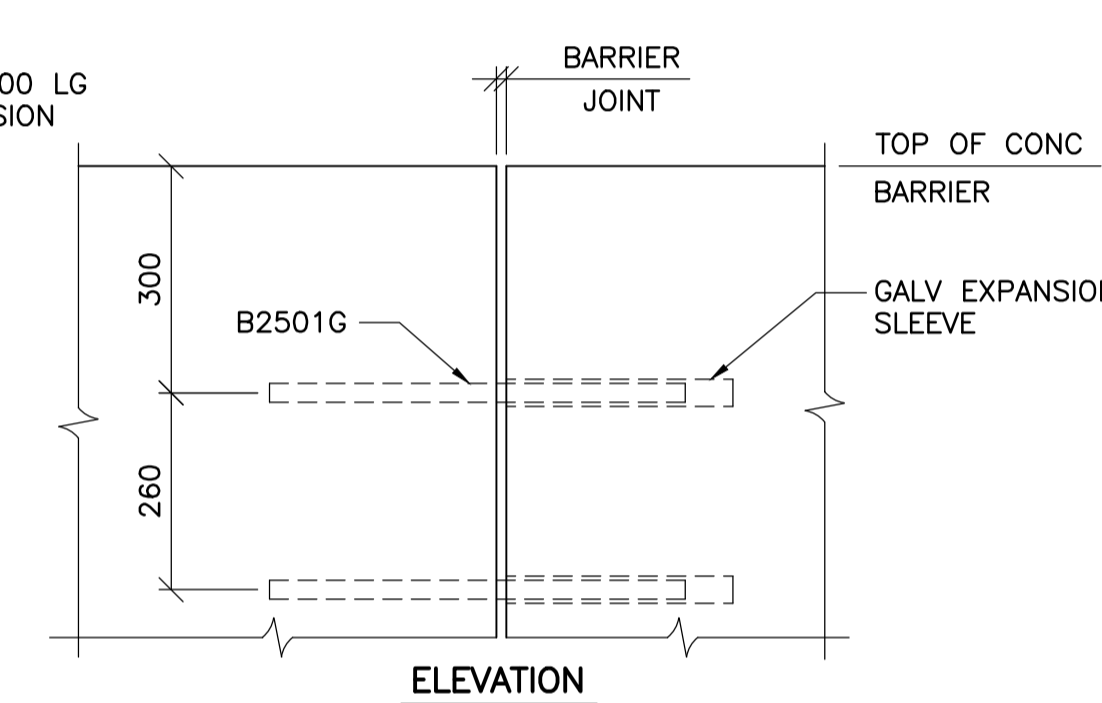
**2** CONCRETE BARRIER REINF (4515 LG PANEL)  
1 : 20  
- 2 LOCATIONS AS SHOWN



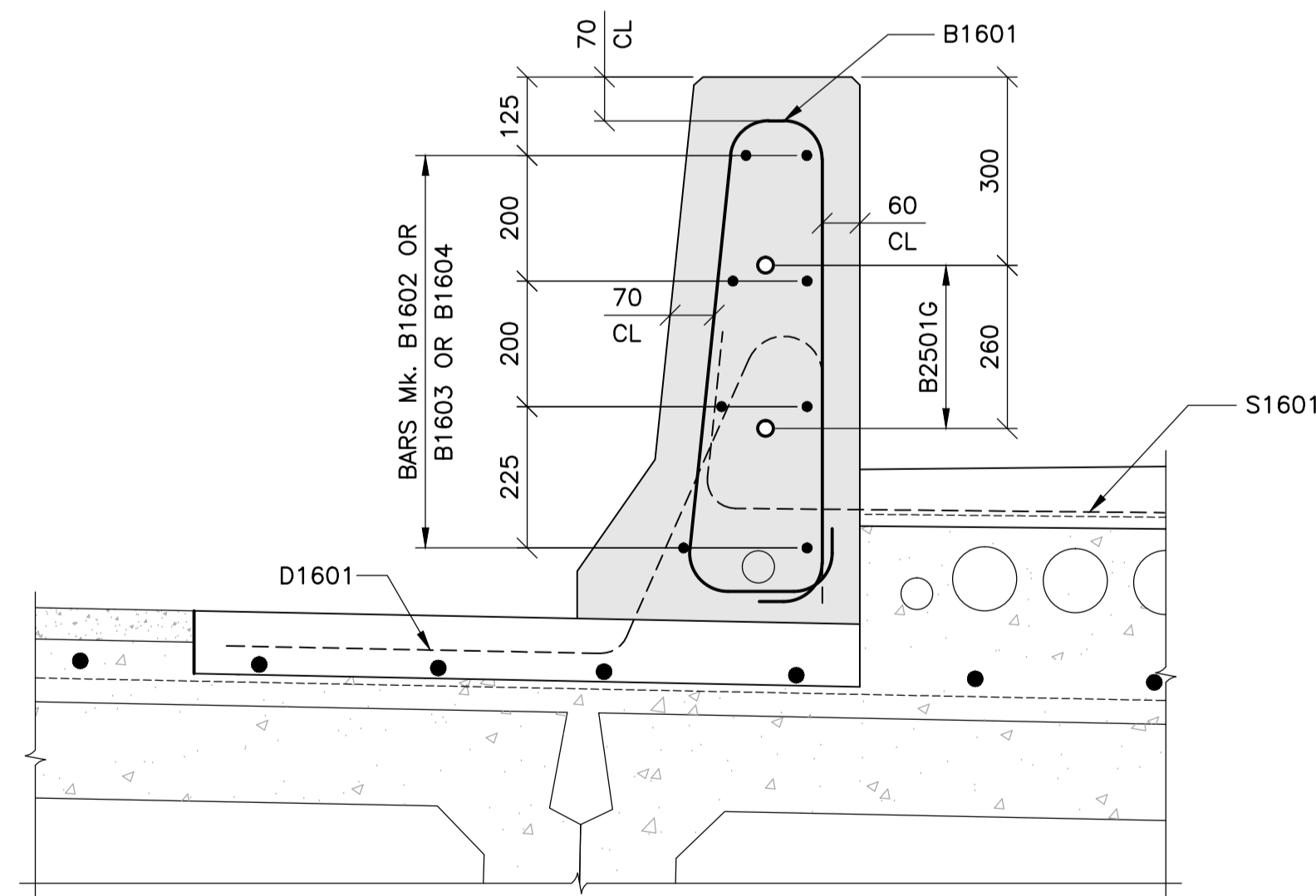
**3** CONCRETE BARRIER REINF (3000 LG PANEL)  
1 : 20  
- 4 LOCATIONS AS SHOWN



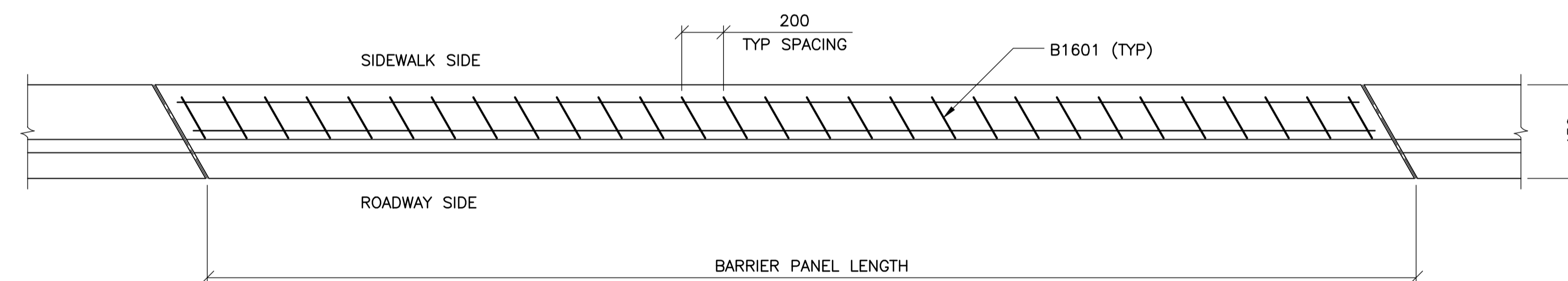
**4** BARRIER JOINT DETAIL  
1 : 10  
- GALV PLAIN BAR Mk. B2501G AND EXPANSION SLEEVE TO BE LOCATED AT ALL CONC BARRIER JOINTS, HELD IN PLACE SECURELY BY A WOODEN TEMPLATE DURING CONC PLACEMENT  
- REINFORCING STEEL NOT CONTINUOUS THROUGH JOINTS.  
- ENSURE GALV EXPANSION SLEEVE DOES NOT CONTACT BARRIER REINFORCING.



**5** DETAIL  
1 : 2



**6** TYP BARRIER REINF SECTION  
1 : 10

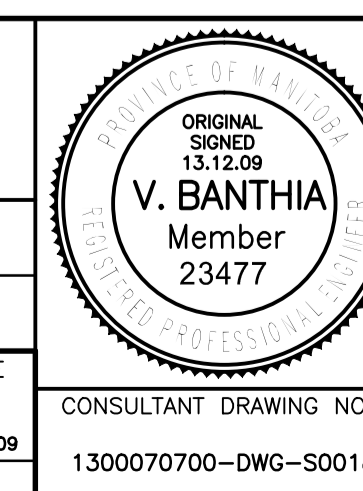


**7** PLAN - CONC BARRIER REINF  
1 : 20  
- SHOWING TYP ORIENTATION OF BARS Mk. B1601



B.M. ELEV.	F.B.	DATE	BY
0	ISSUED FOR TENDER	13.12.09	V.B.
	NO. REVISIONS	DATE	BY
		13.07.18	

<b>TETRA TECH</b>	
DESIGNED BY: D.M.	CHECKED BY: V.B.
DRAWN BY: G.I.	APPROVED BY: E.F.S.
HOR. SCALE: AS NOTED	RELEASED FOR CONSTRUCTION DATE: 13.12.09
VERTICAL: AS NOTED	ORIGINAL SIGNED: 13.12.09
CONSULTANT DRAWING NO. 1300070700-DWG-S0018	



<b>THE CITY OF WINNIPEG</b> PUBLIC WORKS DEPARTMENT ENGINEERING DIVISION	
PORTAGE AVENUE TWIN BRIDGES OVER STURGEON CREEK REHABILITATION AND RELATED WORKS	CITY DRAWING NUMBER <b>B178-14-018</b> SHEET 18 OF 70
PHASE 1 CONSTRUCTION NORTH STRUCTURE CONCRETE BARRIER DETAILS	<b>18</b>