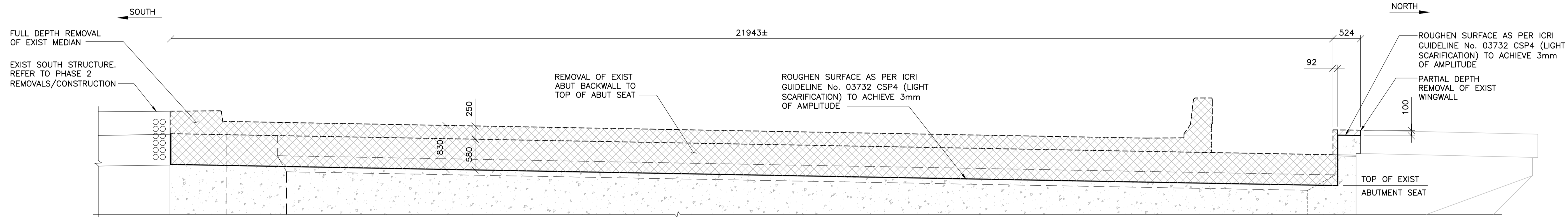
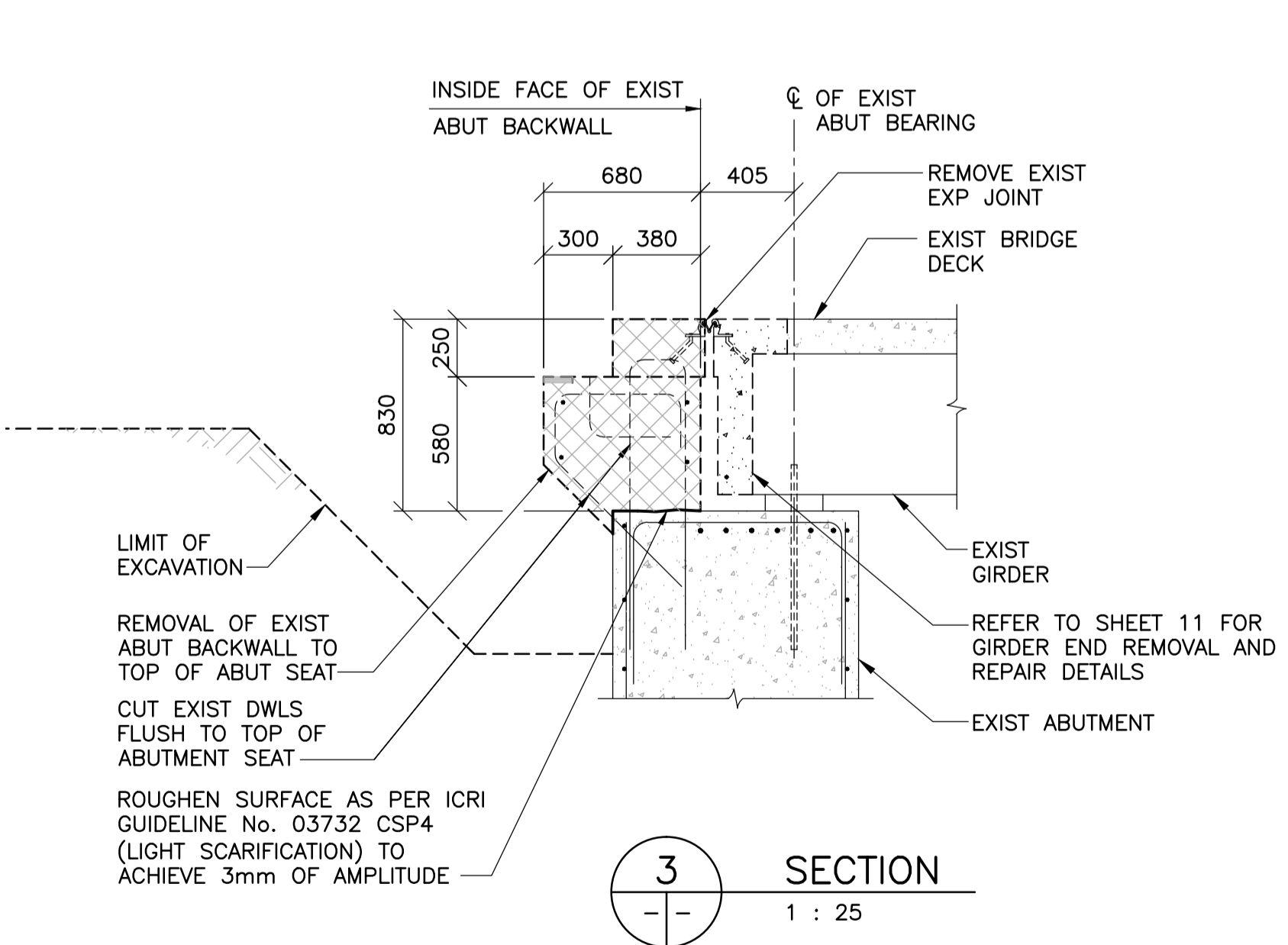


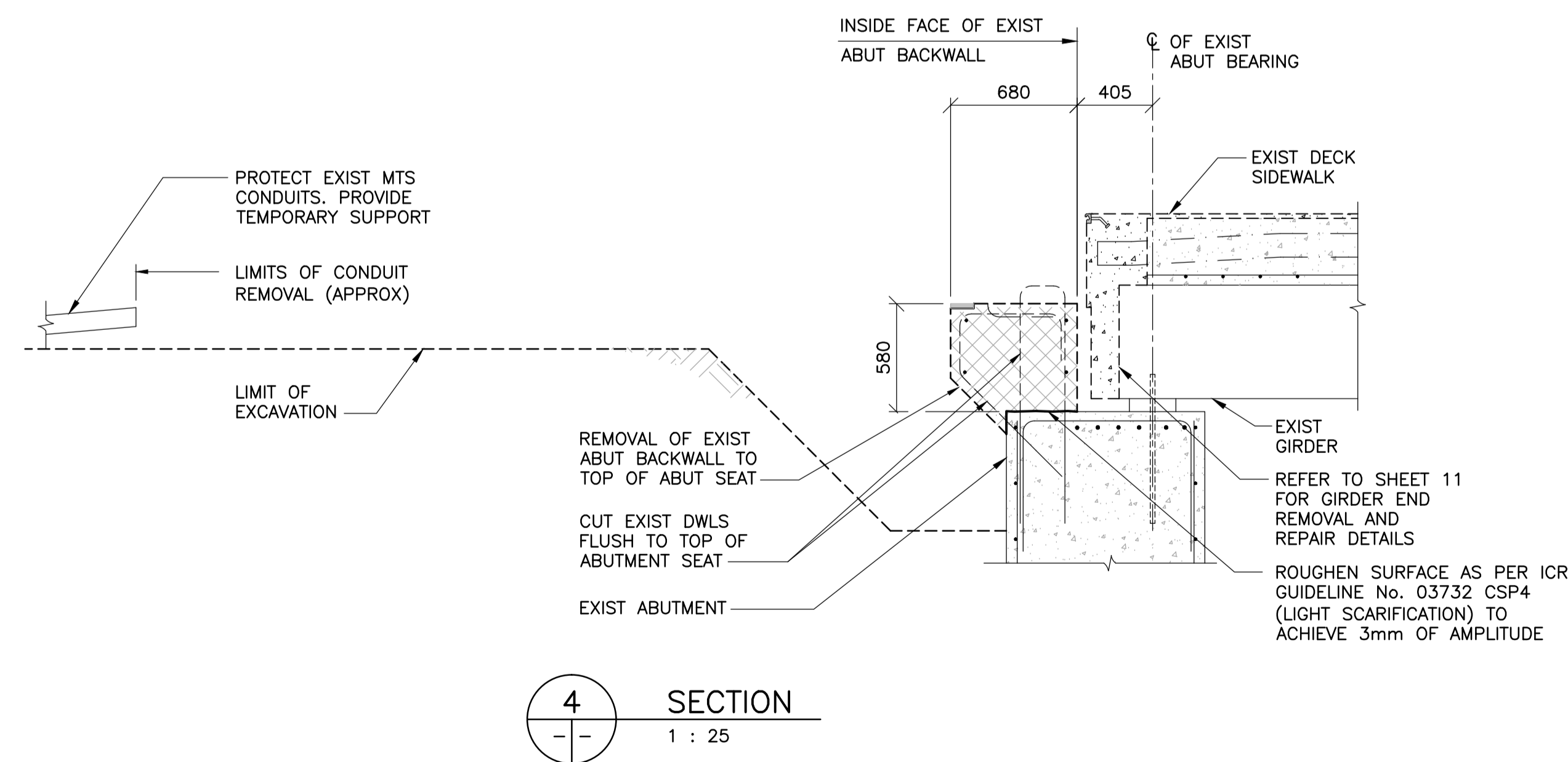
1 PLAN - WEST ABUTMENT
 1 : 40
 - EXIST CONC DECK NOT SHOWN FOR CLARITY



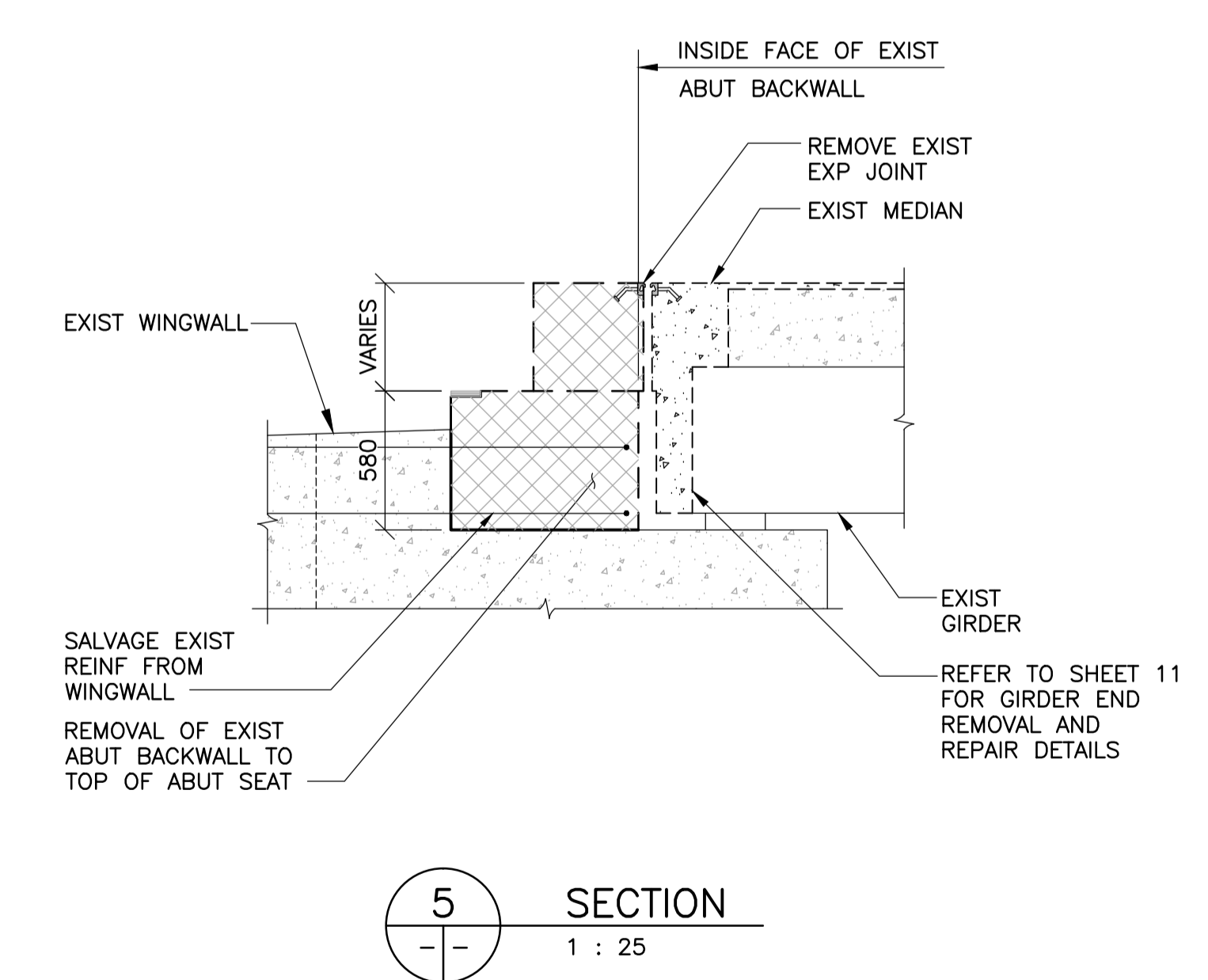
2 ELEVATION - WEST ABUTMENT
 1 : 40
 - ELEVATION SHOWN ALONG INSIDE FACE OF ABUTMENT BACKWALL
 - EXIST SIDEWALK SLAB SHOWN REMOVED PREVIOUSLY. REFER TO SECTION 4 ON SHEET 8 FOR DETAILS



3 SECTION
 1 : 25



4 SECTION
 1 : 25



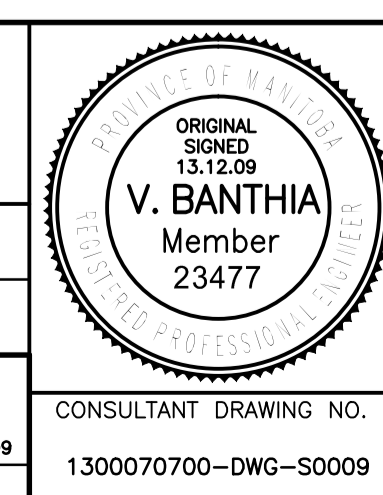
5 SECTION
 1 : 25

LEGEND:
 PARTIAL DEPTH REMOVALS [Hatched pattern]
 FULL DEPTH REMOVALS [Cross-hatched pattern]



B.M. ELEV.	F.B.	DATE	BY
0	ISSUED FOR TENDER	13.12.09	V.B.
	NO. REVISIONS	DATE	BY
		13.07.18	

TETRA TECH	
DESIGNED BY: D.M.	CHECKED BY: V.B.
DRAWN BY: E.V.	APPROVED BY: E.F.S.
HOR. SCALE: AS NOTED	RELEASED FOR CONSTRUCTION DATE: 13.12.09
VERTICAL: AS NOTED	ORIGINAL SIGNED: 13.12.09
J. BURNETT, P.ENG. BRIDGE PROJECTS ENGINEER	



THE CITY OF WINNIPEG PUBLIC WORKS DEPARTMENT ENGINEERING DIVISION	
PORTAGE AVENUE TWIN BRIDGES OVER STURGEON CREEK REHABILITATION AND RELATED WORKS	
PHASE 1 REMOVALS WEST ABUTMENT SECTIONS AND DETAILS	
CITY DRAWING NUMBER B178-14-009	SHEET 9 OF 70
9	