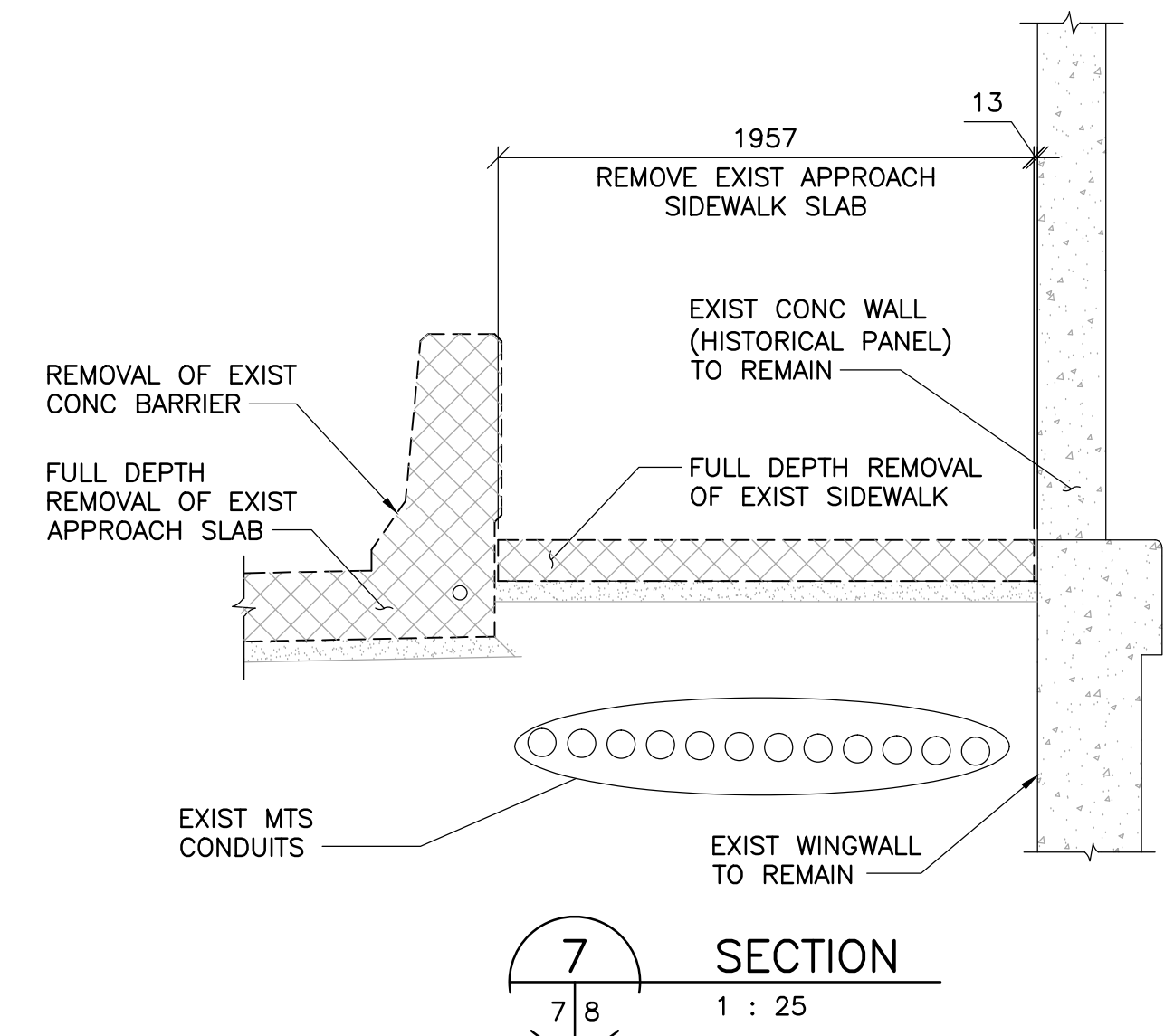
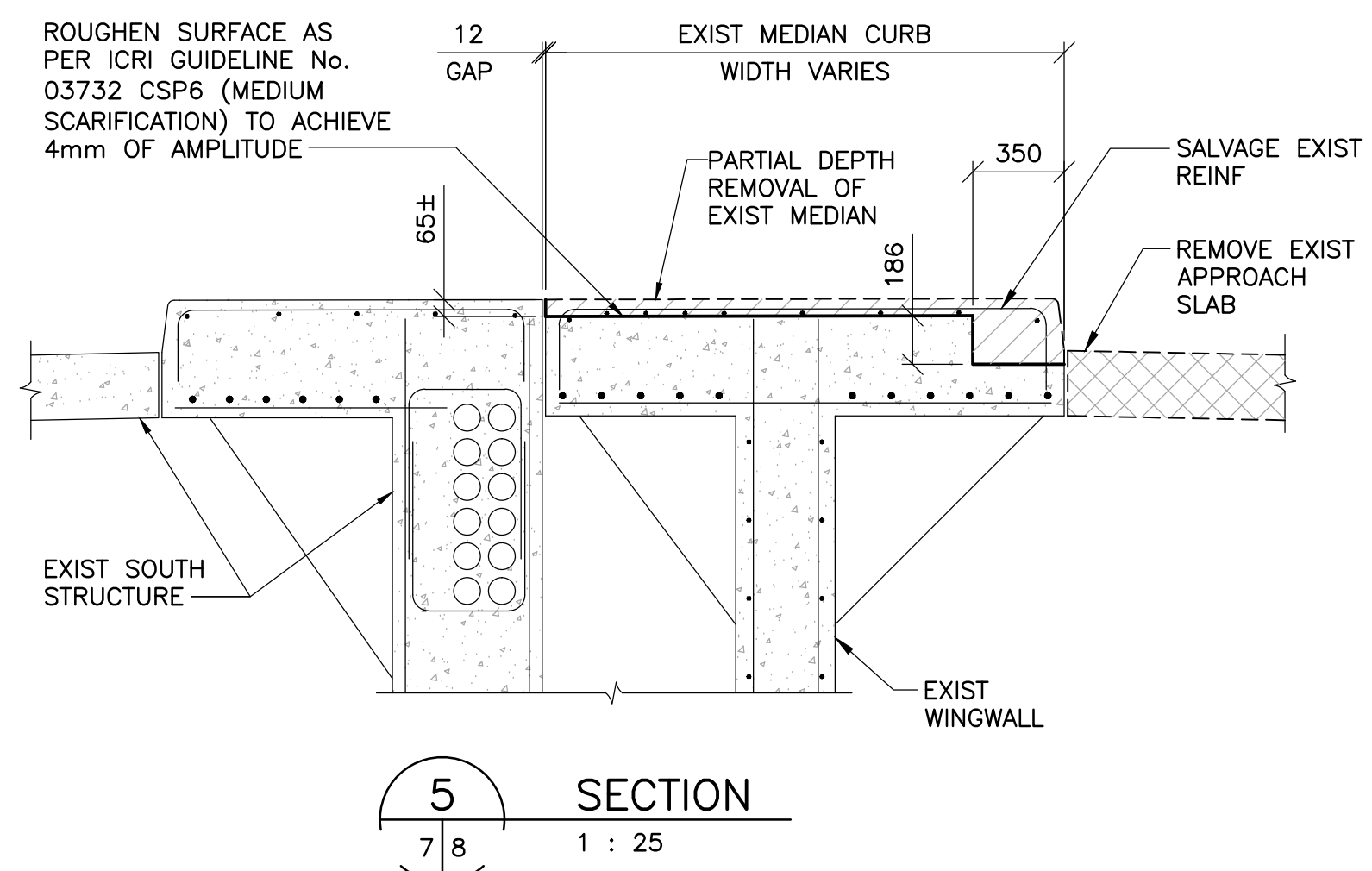
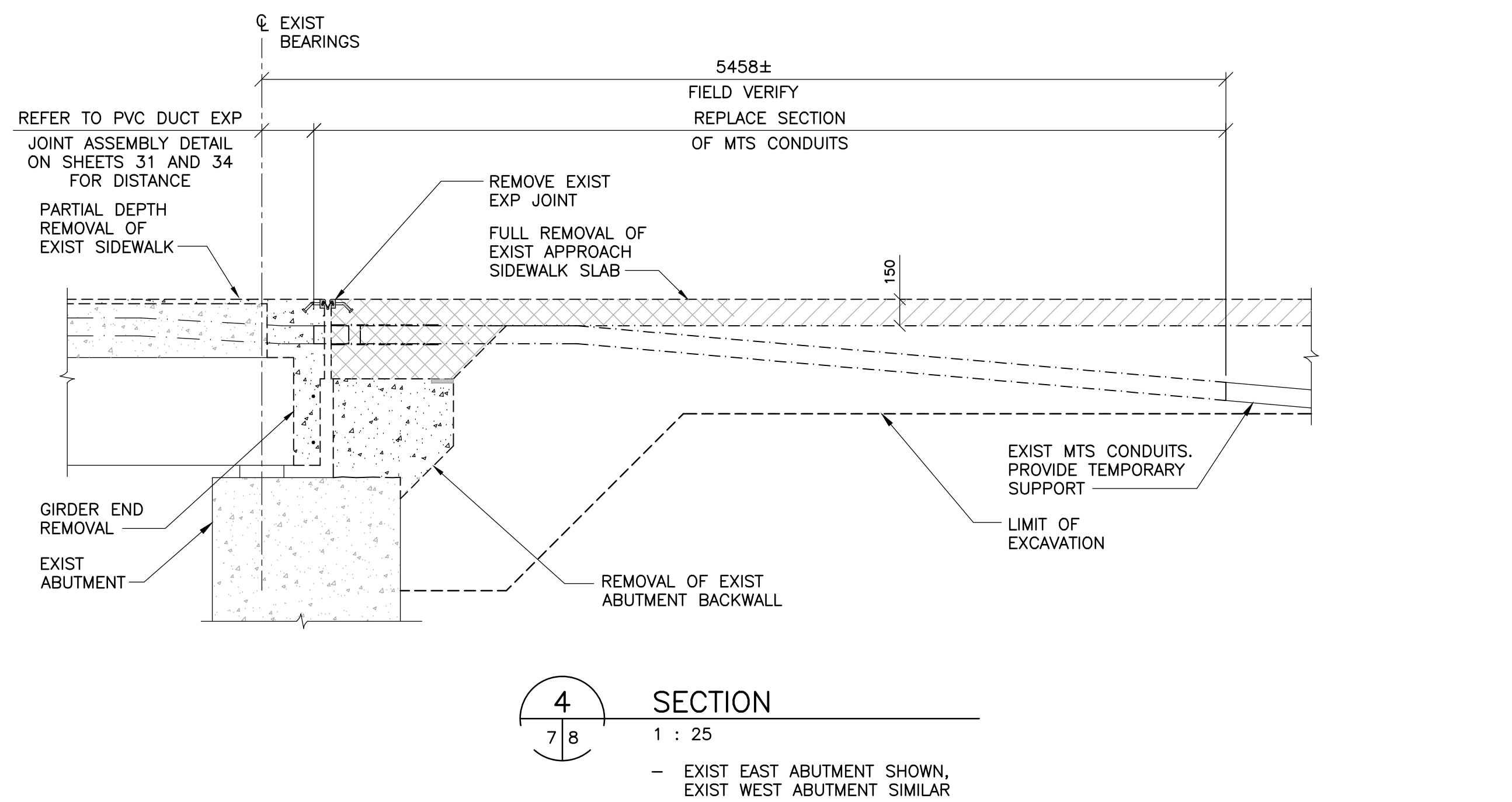
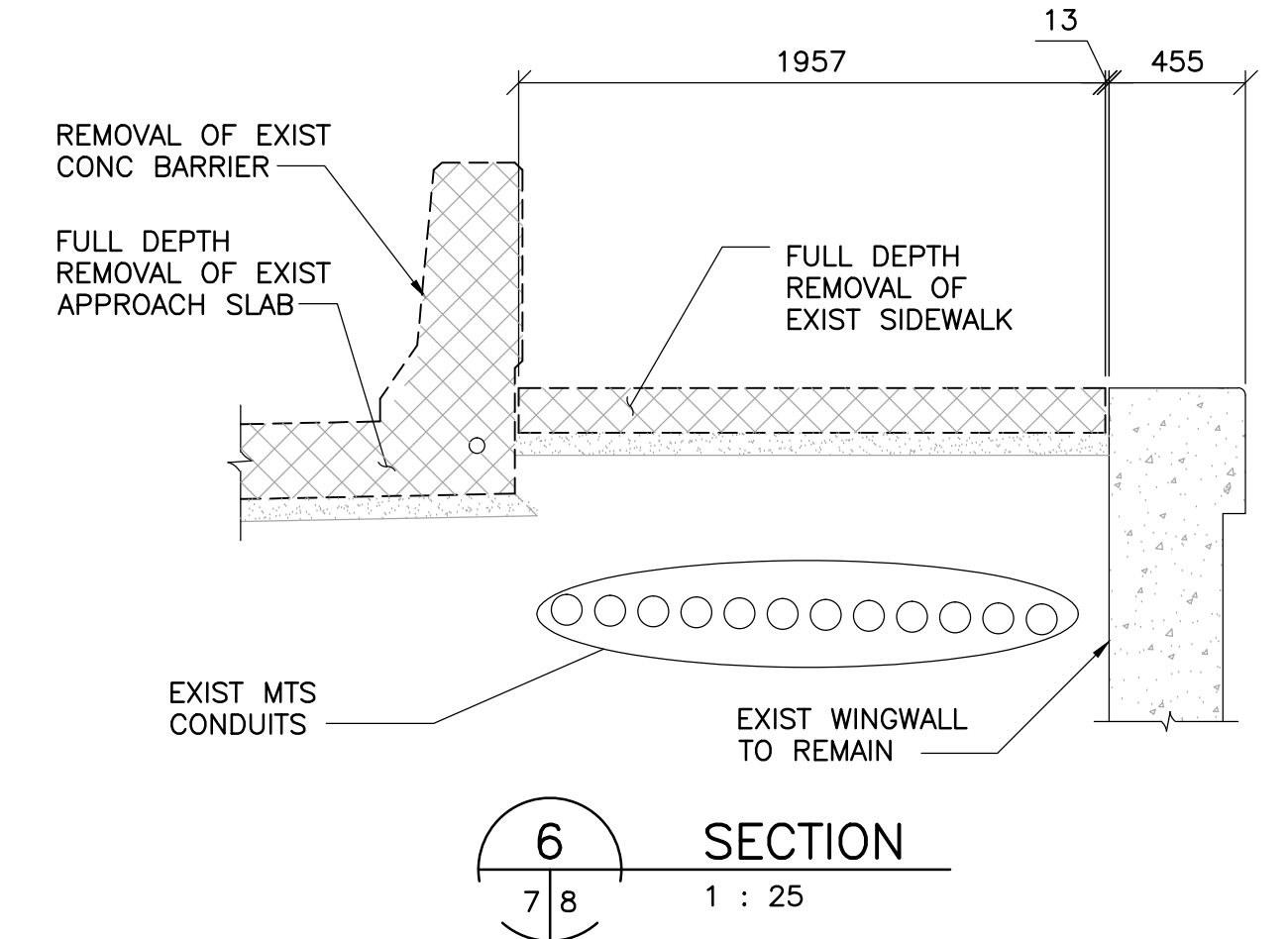
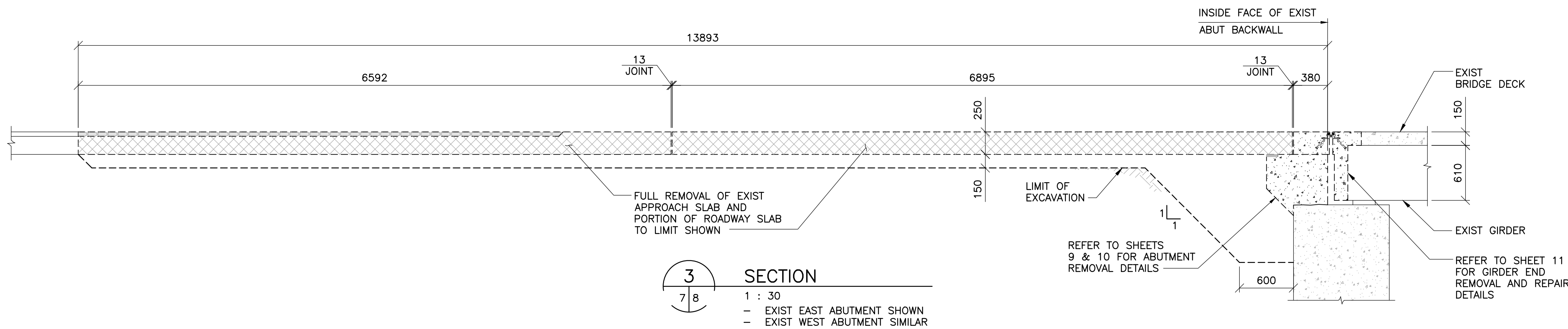


- NOTES:**
1. PROTECT AND DO NOT DAMAGE EXISTING BOX GIRDER REINFORCING.
 2. DRAWINGS REPRESENT APPROXIMATE LOCATIONS OF UTILITY CONDUITS. REFER TO RECORD DRAWINGS AND UTILITY COMPANIES FOR CONFIRMATION OF EXACT LOCATION OF CONDUITS.
 3. CONTRACTOR TO VERIFY ALIGNMENT AND DEPTH OF CUTTING AND CONFIRM ANY NECESSARY ADJUSTMENTS TO SUIT ACTUAL CONDITIONS WITH THE CONTRACT ADMINISTRATOR PRIOR TO CUTTING CONCRETE.



LEGEND:

PARTIAL DEPTH REMOVALS

FULL DEPTH REMOVALS



| | | | | | | | | |
|-----------------------------------|------|--|--|------------------------|--|--|--|----------------------|
| B.M. ELEV. | F.B. | TETRA TECH | DESIGNED BY D.M. CHECKED BY V.B. DRAWN BY B.M. APPROVED BY E.F.S. | | | THE CITY OF WINNIPEG PUBLIC WORKS DEPARTMENT ENGINEERING DIVISION | PORTAGE AVENUE TWIN BRIDGES OVER STURGEON CREEK REHABILITATION AND RELATED WORKS | CITY DRAWING NUMBER |
| | | | | | | | | 1300070700-DWG-S0008 |
| 0 ISSUED FOR TENDER 13.12.09 V.B. | | HOR. SCALE: AS NOTED VERTICAL: AS NOTED | RELEASED FOR CONSTRUCTION DATE 13.12.09 ORIGINAL SIGNED 13.12.09 | CONSULTANT DRAWING NO. | PHASE 1 REMOVALS SECTIONS AND DETAILS | SHEET 8 OF 70 | 8 | |
| NO. REVISIONS DATE BY | | DATE 13.07.18 | D. BURNEY, P.ENG. BRIDGE PROJECTS ENGINEER | 1300070700-DWG-S0008 | | | | |