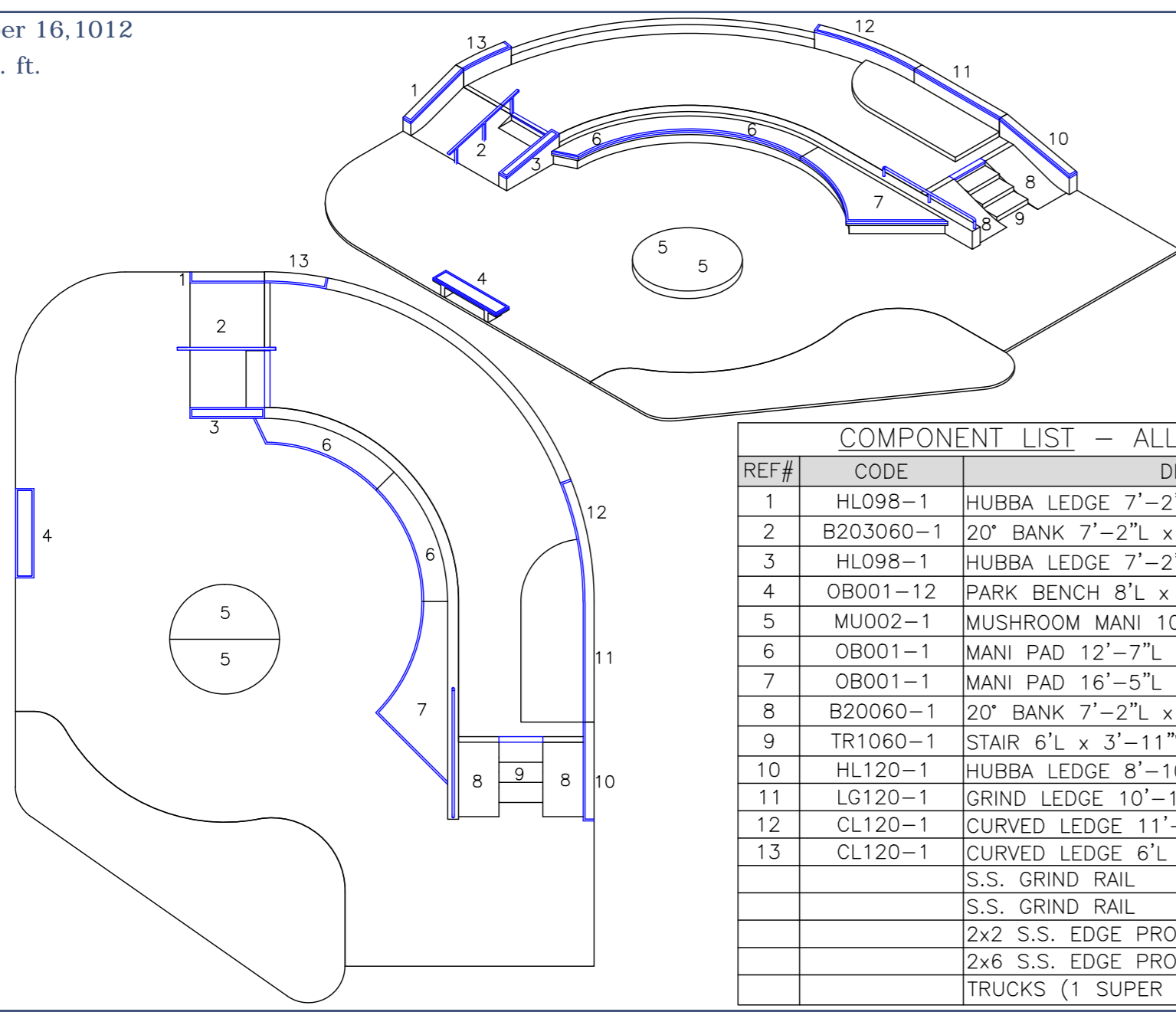


November 16, 2012  
2564 sq. ft.

NOTE: Shop Drawings will be required for all Precast Elements and their installation.



REF#	CODE	DESCRIPTION	QTY
1	HL098-1	HUBBA LEDGE 7'-2"L x 1'W x 3'-6"H	1
2	B203060-1	20' BANK 7'-2"L x 11'-2"W x 2'H	1
3	HL098-1	HUBBA LEDGE 7'-2"L x 1'W x 3'-6"H	1
4	OB001-12	PARK BENCH 8'L x 1'-8"W x 1'-5"H	1
5	MU002-1	MUSHROOM MANI 10'L x 5'W x 1'-4"H	2
6	OB001-1	MANI PAD 12'-7"L x 2'-4"H x 1'-4"H	2
7	OB001-1	MANI PAD 16'-5"L x 6'-5"W x 1'-4"H	1
8	B20060-1	20' BANK 7'-2"L x 3'-7"W x 2'H	2
9	TR1060-1	STAIR 6'L x 3'-11"W x 2'H	1
10	HL120-1	HUBBA LEDGE 8'-10"L x 1'W x 4'H	1
11	LG120-1	GRIND LEDGE 10'-10"L x 1'W x 4'H	1
12	CL120-1	CURVED LEDGE 11'-2"L x 1'W x 4'H	1
13	CL120-1	CURVED LEDGE 6'L x 1'W x 4'H	1
		S.S. GRIND RAIL	9ft.
		S.S. GRIND RAIL	12ft.
		2x2 S.S. EDGE PROTECTION	156ft.
		2x6 S.S. EDGE PROTECTION	9ft.
		TRUCKS (1 SUPER B AND 1 BARKMAN TANDEM)	2

**Jacob Penner Park, MB**

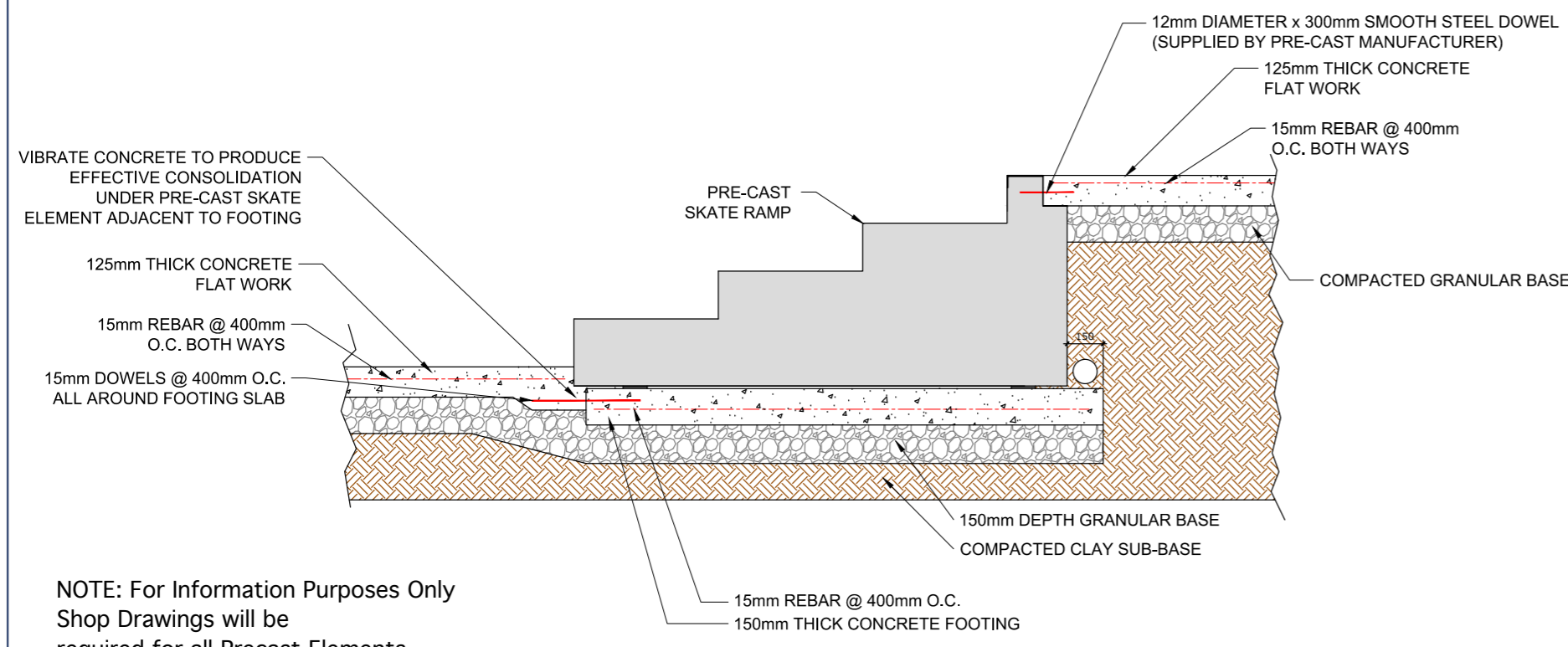
Copyright 2010 Barkman concrete Ltd. All rights reserved. Any duplication or reproduction is strictly prohibited

**barkman**  
Barkman Concrete Limited

152 Brandt Street, Steinbach, MB R5G 0R2  
T (204) 326 3445 or 1 800 461 2278 F (204) 326 5195  
barkmanpark.com

**1 PRECAST SKATEPARK ELEMENTS**  
L7 NTS

November 19, 2012



NOTE: For Information Purposes Only Shop Drawings will be required for all Precast Elements and their installation.

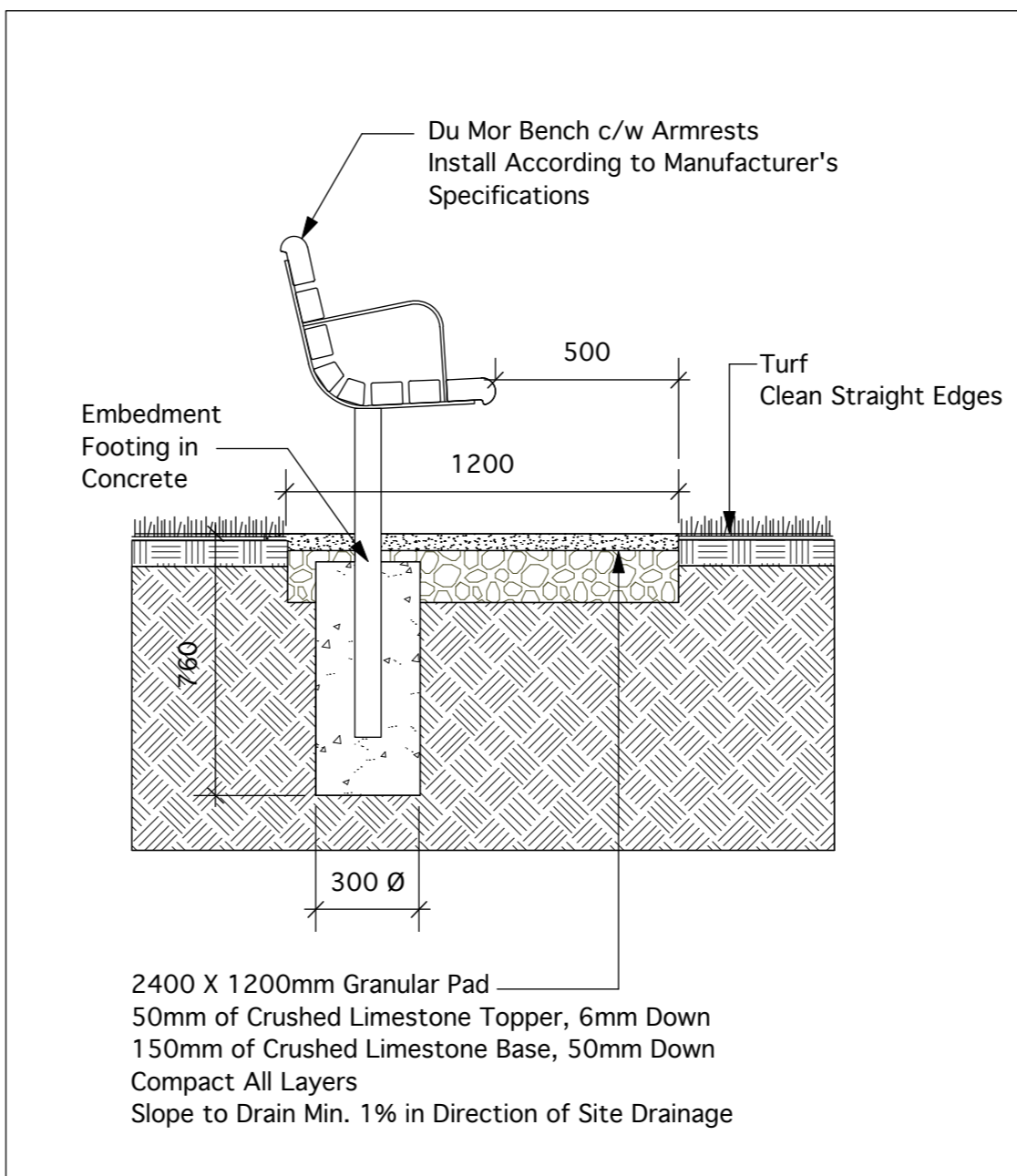
**Typical Stair Detail**

Copyright 2010 Barkman concrete Ltd. All rights reserved. Any duplication or reproduction is strictly prohibited

**barkman**  
Barkman Concrete Limited

152 Brandt Street, Steinbach, MB R5G 0R2  
T (204) 326 3445 or 1 800 461 2278 F (204) 326 5195  
barkmanpark.com

**2 PRECAST ELEMENT INSTALLATION (TYPICAL)**  
L7 NTS



**6 BENCH WITH ARMRESTS ON GRANULAR PAD**  
L7 NTS



Bench with Armrests - all in ground mounts except for 1 Bench to have S3 Gull Wing Mount

DuMor Site Furniture - refer to Specification.  
All metals to be Dark Red.  
All plastic to be Redwood.  
All furniture to have in ground mounts (except 1 Bench to have Gull Wing Mount).  
All furniture to be installed according to manufacturer's specifications.



Bike Bollard



Accessible Picnic Table



Games Tables with Two Seats

**5 SITE FURNITURE**  
L7 NTS

