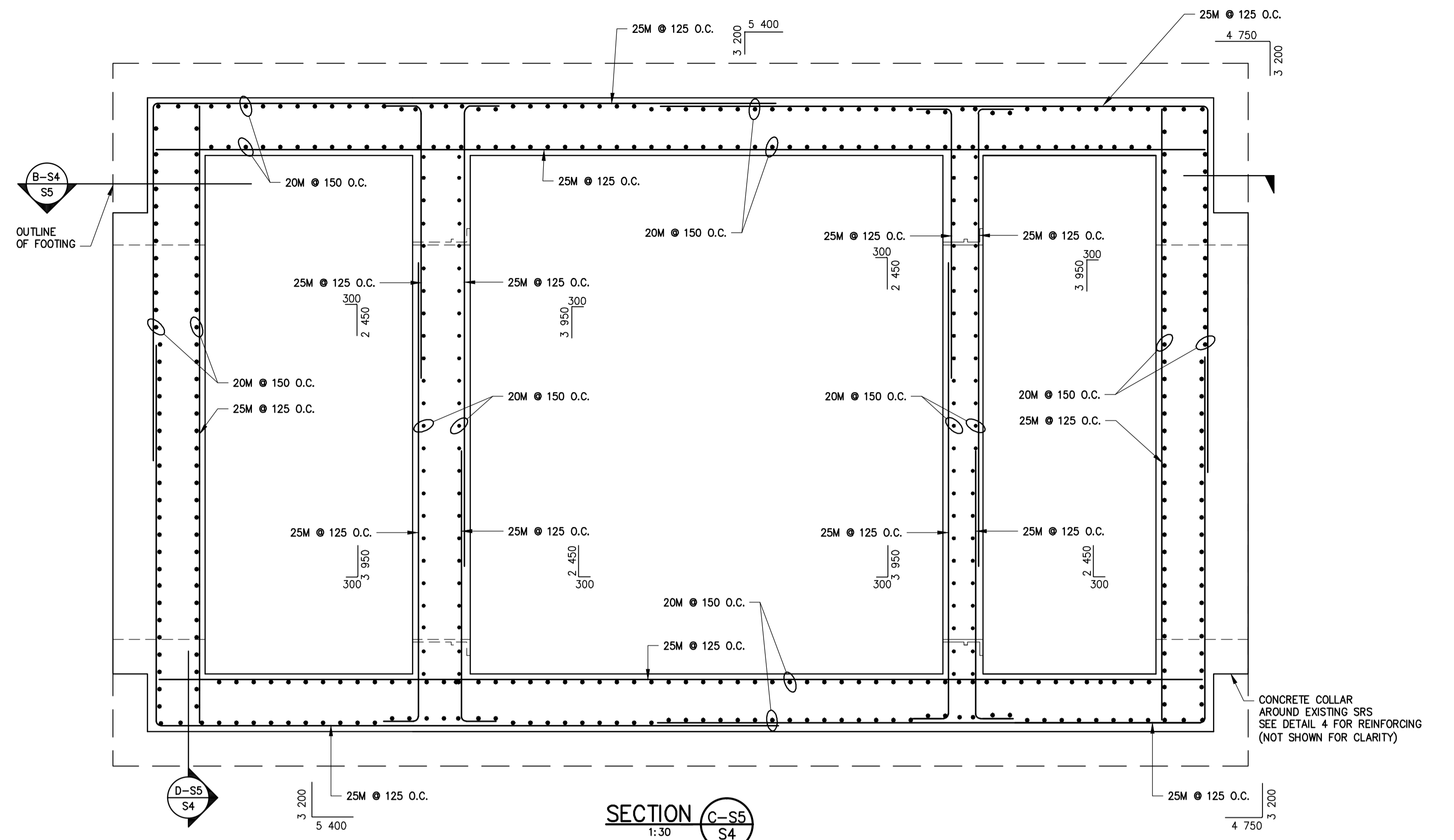
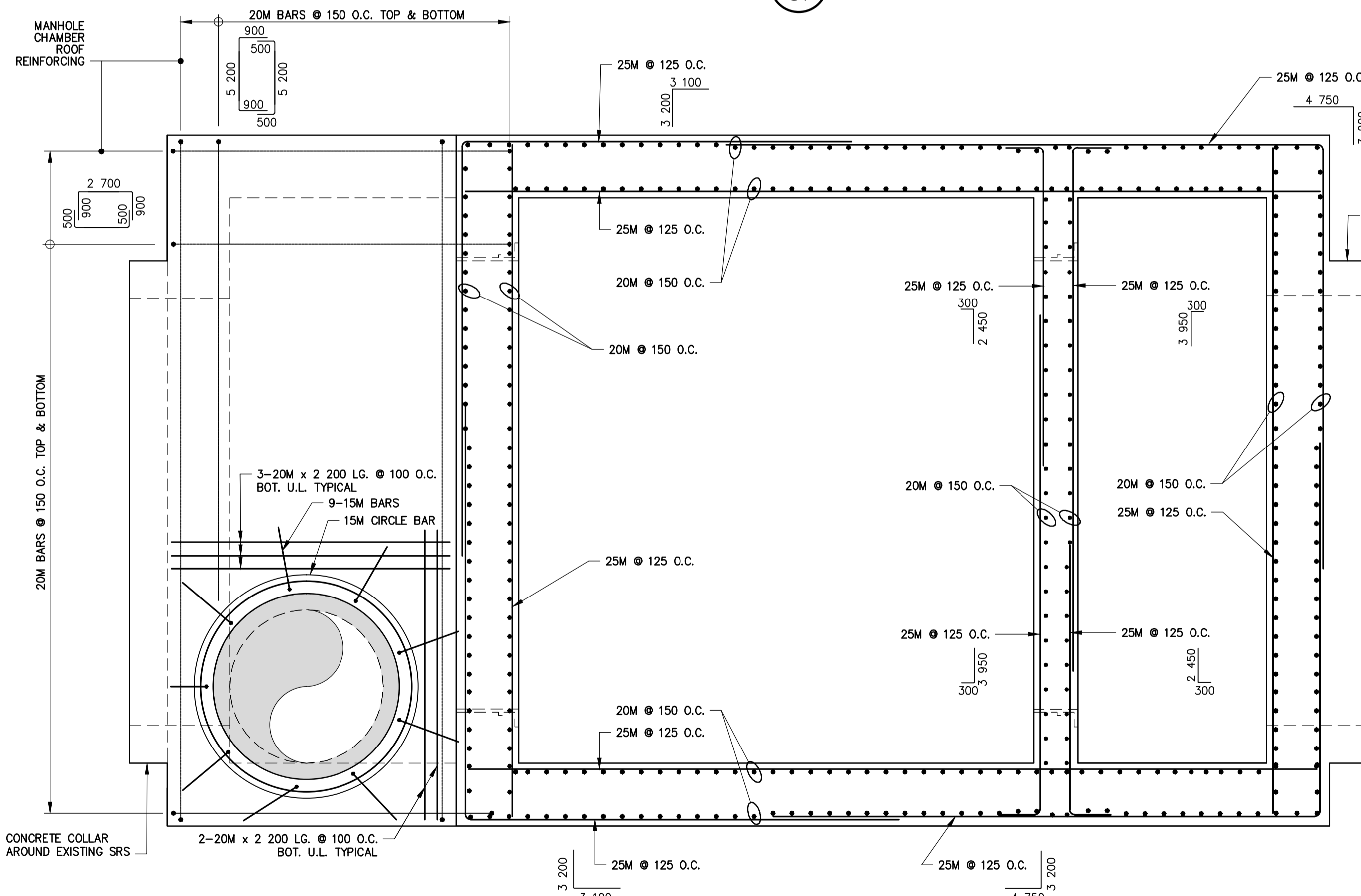


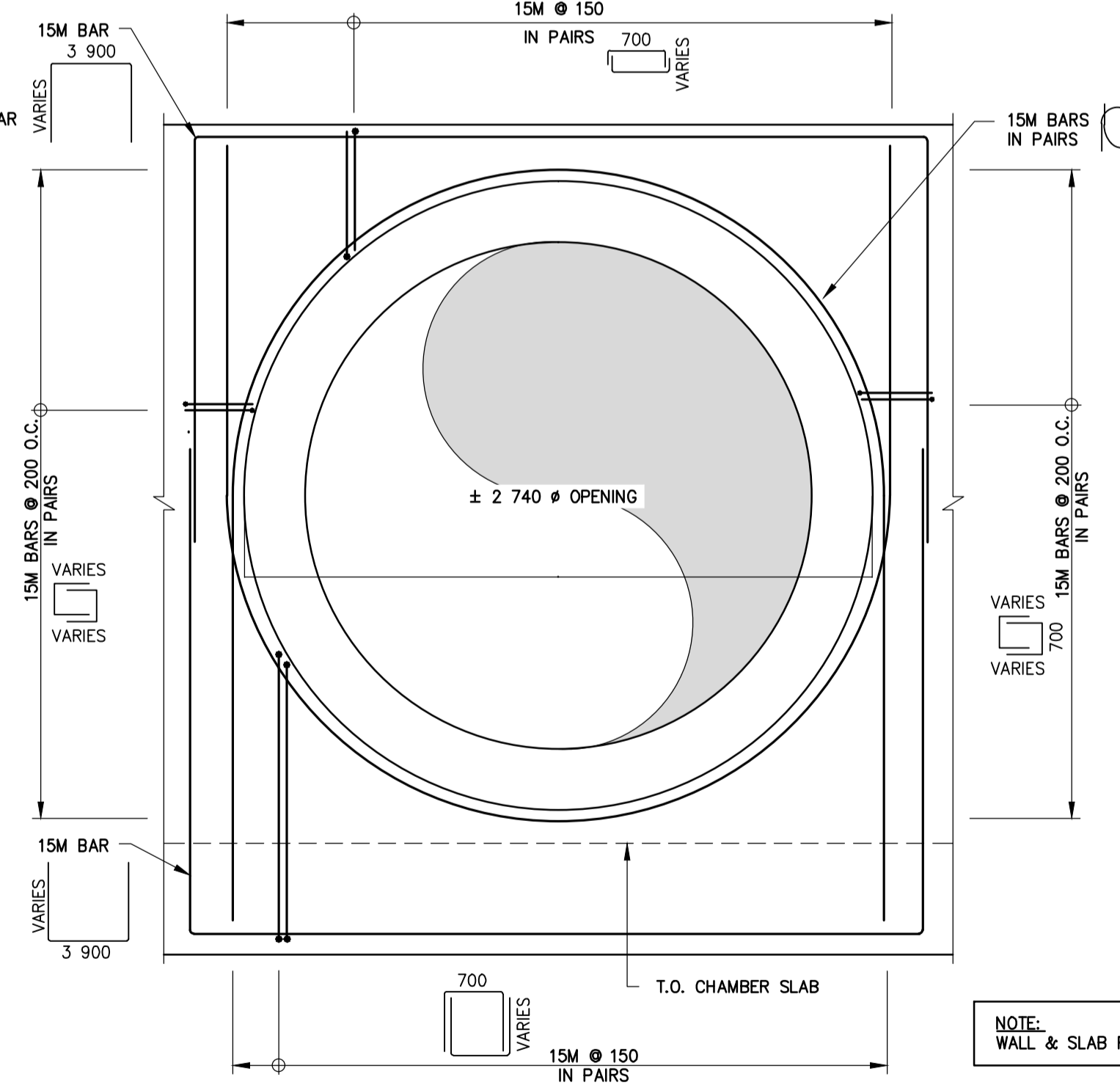
SECTION A-S5  
1:30 S4



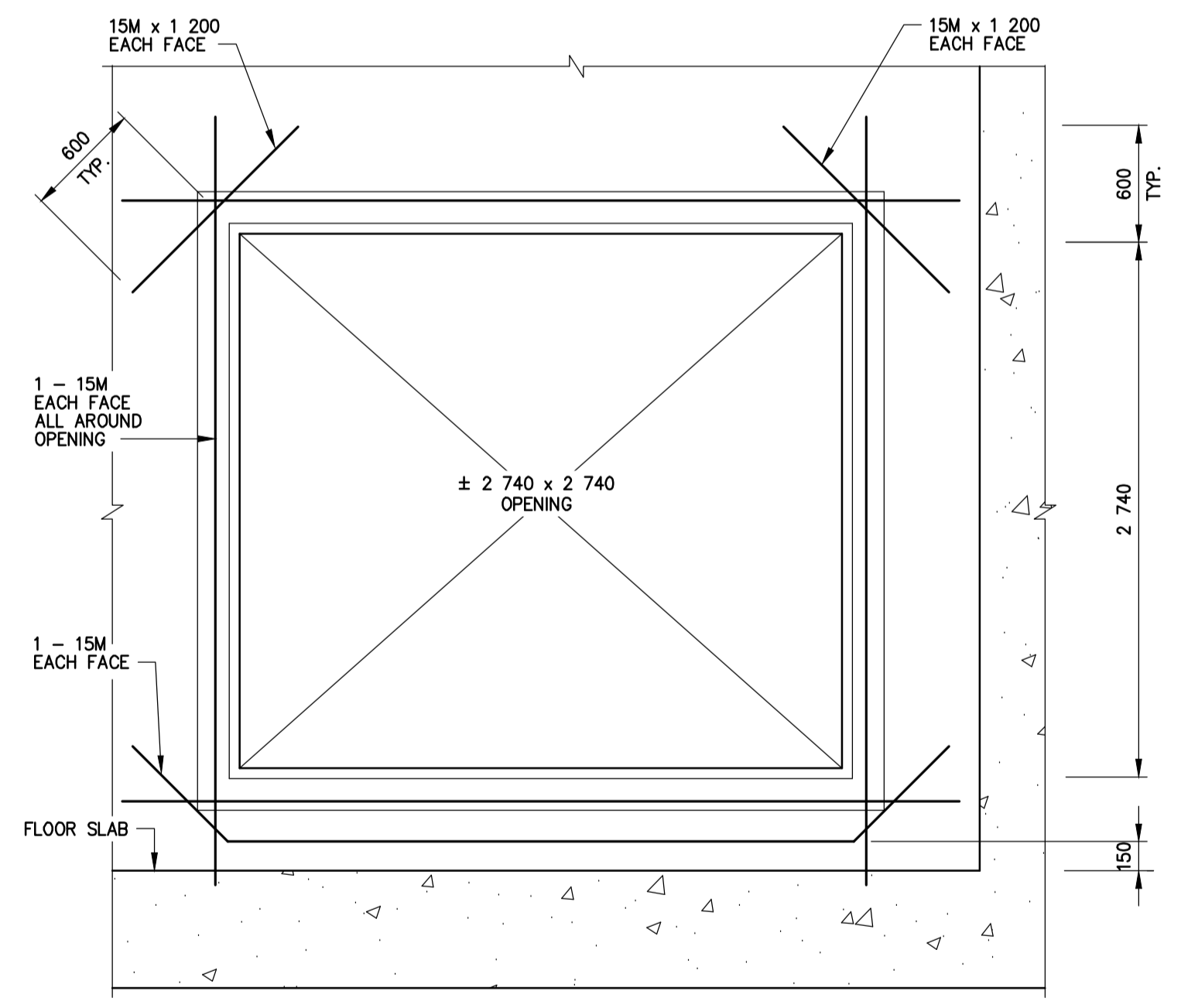
SECTION C-S5  
1:30 S4



SECTION B-S5  
1:30 S4



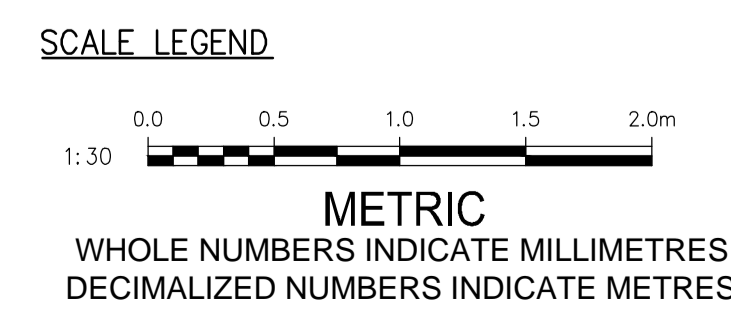
COLLAR REINFORCING DETAIL 4-S5  
1:30 S4



ELEVATION 5-S5  
1:30 S4

NOTE: WALL & SLAB REINFORCING NOT SHOWN FOR CLARITY

**APEGM**  
Certificate of Authorization  
MMM Group Limited  
No. 4531 Date: 13.11.12



<b>MMM GROUP</b>		MMM Group Limited Suite 111 - 93 Lombard Ave. Winnipeg, MB R3B 3B1 T. 204.943.3178   F. 204.943.4948 www.mmm.ca	
DESIGNED BY	MM	CHECKED BY	WC
DRAWN BY	KDB	APPROVED BY	EH
HOR. SCALE	AS NOTED	RELEASED FOR CONSTRUCTION	
VERT. SCALE	AS NOTED		
1 ISSUED FOR TENDER	13.11.12	EH	
No. REVISIONS	DATE	BY	DATE
	13.11.12		13.11.12

ENGINEER'S SEAL  
  
 BID OPPORTUNITY: 912-2013  
 PLOT DATE: 13.11.12

**THE CITY OF WINNIPEG**  
 WASTE AND WATER DEPARTMENT  
 Winnipeg

OUTFALL GATE CHAMBER UPGRADES  
 McDERMOT AVENUE  
 SRS OUTFALL GATE CHAMBER  
 REINFORCING DETAILS (SHEET 2 OF 2)

CONSULTANT DRAWING No.: 5513108-S5  
 SHEET 6 OF 22  
 CITY DRAWING No.: LD-7251

Printed: November 15, 2012, 4:40:10 PM | User: S45421 | User: S45421 | Layout: 6 Reinforcing Details (Sheet 2 of 2)  
 File: P:\5513108-S5\3108-S5\3108-S5\Reinforcing Details (Sheet 2 of 2).dwg

NOTE:  
 These design documents are prepared solely for the use by the party with whom the design professional has entered into a contract and there are no representations of any kind made by the design professional to any party with whom the design professional has not entered into a contract.